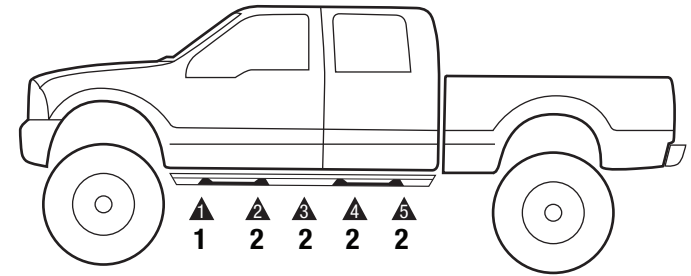


99-10 Ford F-250 Reg, Super, Crew Cabs

(866) 476-6276 / (866) IRONCROSS
www.ironcrossautomotive.com

PARTS LIST

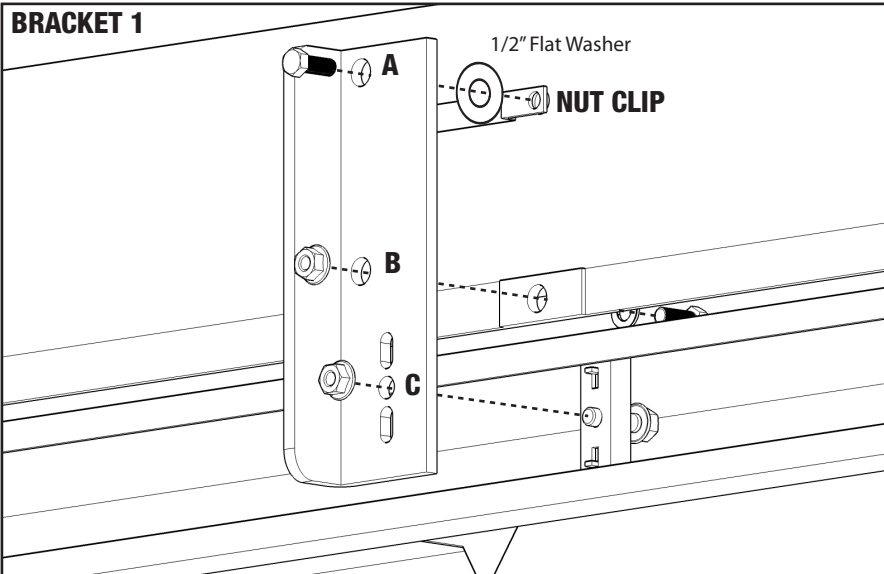
QTY	PART	QTY	PART
2	BRACKET # 1	18	5/16" HEX BOLT
8	BRACKET # 2	10	5/16" CARRIAGE BOLT
18	5/16" FLANGE BOLT	20	5/16" FLANGE NUT
18	5/16" FLAT WASHER	10	BRACKET CLAMP
		2	1/2" FLAT WASHER



BRACKET INSTALLATION

1. Remove contents from box and check for damaged parts. Verify all parts are present, making sure to read and understand instructions before install.
2. Locate factory holes on inside body panel and pinchweld.
3. Install nut clip into factory location.
4. Position the bracket to the pinch weld holes. Install 5/6" hex bolt and 5/16" flat washer through pinch weld and holes "B" on bracket. Thread 5/16" flange nut onto hex bolt and tighten.
5. Install 5/16" flange bolt "A" on bracket into nut clips and tighten.
6. Repeat install on passenger side.

USE 1/2" FLAT WASHER ON FRONT BRACKET



HD STEP INSTALL

1. Install 5/16" carriage bolt and "bracket clamp" to each bracket through hole "C". Having a second person or jack stands will be helpful on install.
2. CAREFULLY place HD STEP over bracket clamps and align so that clamp tabs are in between step channel. Begin to hand tighten 5/16" flange nuts while making sure bracket clamp tabs are aligning to the bracket holes.
3. Once you have all clamps hand tightned to brackets, this should allow the HD STEP to slide forward and back to allow for final alignment to vehicle.
4. Once satisfied with alignment, tighten all 5/16" flange nuts for final install.

