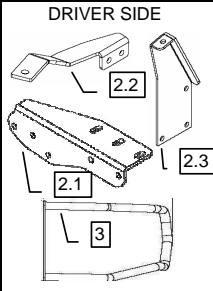
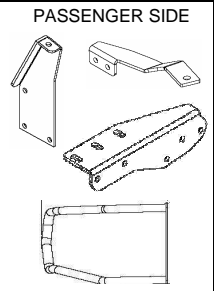
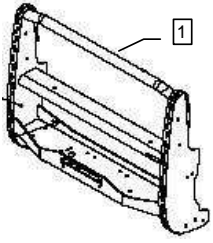
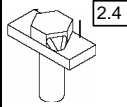
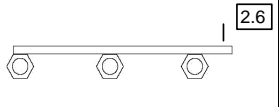


WINCH BUMPER 23293 (MB-MPS)

INSTALLATION INSTRUCTIONS 09-12 FORD F-150 & LOBO (EXCL. RAPTOR, LARIAT, ECOBOOST V6) (2WD MODELS REQUIRE BUMPER FASCIA NOTCHING)

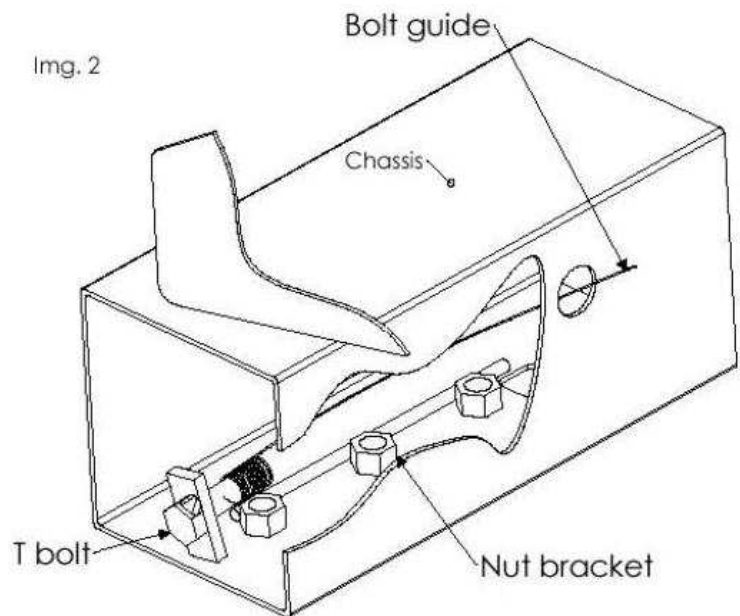
| Parts List | | | | |
|------------|------|------|-------------------------------|------------|
| Item | Qty. | Code | Description | Max. Torq. |
| 1 | 1 | pc. | 533330AA Winch Bumper | |
| 2 | 1 | pc. | BRK-53333 Bracket kit | |
| 2.1 | 1 | set | 533334EA Lower bracket | |
| 2.2 | 1 | set | 533334FA Upper bracket | |
| 2.3 | 1 | set | 533334GA Auxiliary bracket | |
| 2.4 | 2 | pc. | T Bolt | |
| 2.5 | 1 | pc. | 5312361 License plate holder | |
| 2.6 | 2 | pc. | Nut bracket | |
| 2.7 | 1 | pc. | KTE-53333 Hardware kit | |
| 2.7.1 | 18 | pc. | 1/2x1 1/2" Hex head bolt | |
| 2.7.2 | 36 | pc. | 1/2" Flat washer | |
| 2.7.3 | 16 | pc. | 1/2" Lock washer | |
| 2.7.4 | 2 | pc. | 1/2" Nut. | |
| 2.7.5 | 2 | pc. | M12 Lock washer | |
| 2.7.6 | 4 | pc. | 3/8x1 1/4" Button allen head | |
| 2.7.7 | 4 | pc. | 3/8" Flat washer | |
| 2.7.8 | 4 | pc. | 3/8" Lock nut. | |
| 2.7.9 | 2 | pc. | 3/8x1" Hex head bolt. | |
| 2.7.10 | 2 | pc. | 1/4x3/4" Hex head bolt. | |
| 2.7.11 | 2 | pc. | 3/8" Flat washer | |
| 2.7.12 | 2 | pc. | 3/8" Lock nut. | |
| 2.7.13 | 2 | pc. | 1/4" Flat washer | |
| 2.7.14 | 2 | pc. | 1/4" Lock nut | |
| 2.7.15 | 1 | pc. | Bolt guide | |
| 3 | 1 | set | 533330BA Brush Guard | |
| 4 | 1 | pc. | Center channel / Tube | |

| Required Tools (Not included) | |
|-------------------------------|---------------------|
| Qty. | Description |
| 1 | 3/4" Socket/Wrench |
| 1 | 9/16" Socket/Wrench |
| 1 | 15mm. Socket/Wrench |
| 1 | Ratchet w/extension |
| 1 | Cutter |

| Brackets | |
|---|---|
| DRIVER SIDE | PASSENGER SIDE |
|  |  |
|  | |
|  |  |

Instructions

1. Please read all directions carefully and verify that all necessary hardware is accounted for before beginning the installation. If any parts are missing, stop the installation and contact your distributor immediately.
2. Image 2 refers "T" bolt installation and nuts bracket. "T" bolt installs all truck versions. Use nuts bracket when vehicles does not include tow hooks. **Note: The center channel/Tube is already installed, if you install a winch higher than 11" you must remove the center channel/tube.**
3. Approximated Installation time 90 min.
4. Follow installation sequence by order
5. Do not tighten hardware until finish the installation.
6. See image 3 as a guide of installation.



INSTALLATION INSTRUCTIONS

7. Sequence for the installation of the parts.

a) Remove tow hooks (if vehicle has them)

b) Place lower bracket (use factory tow hook's bolts to secure it. Use nuts bracket to secure the third bolt.

c) Place auxiliary mounting bracket.

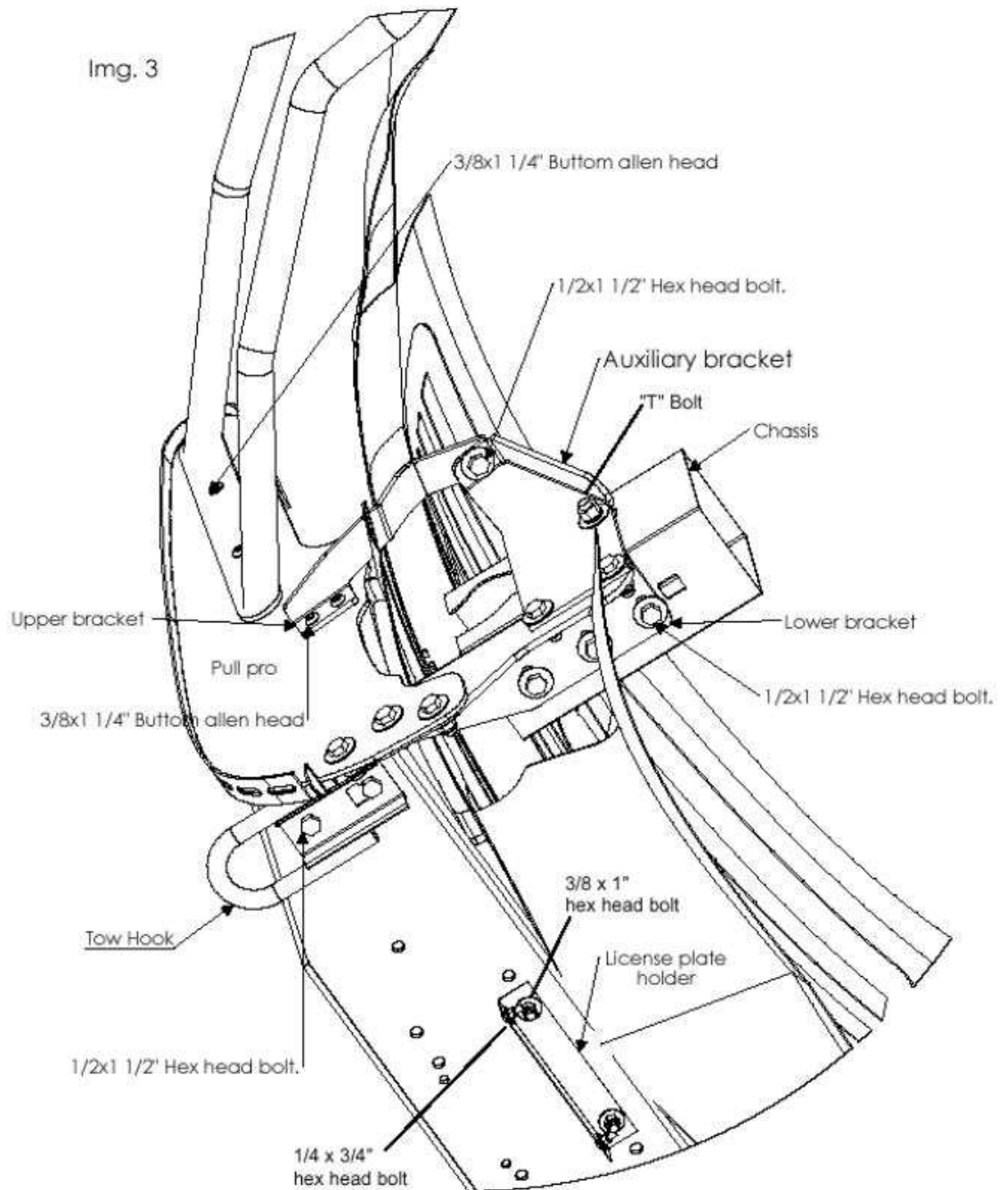
d) Place upper mounting bracket

e) Place pull pro. Note: Before place it, make sure the winch can be mount once the pull pro is installed. If not, mount winch on the winch tray before to install the Pull Pro.

f) If necessary install license plate bracket to the Winch Bumper. See illustration 3

g) Install Brush guard

h) Install the tow hooks removed underneath the winch tray.



8. Align the Winch Bumper to the vehicle and tighten all hardware.

9. Does not use abrasive substances to clean the accesory..

10. Fill out the warranty card included and place it inside your vehicle.

