



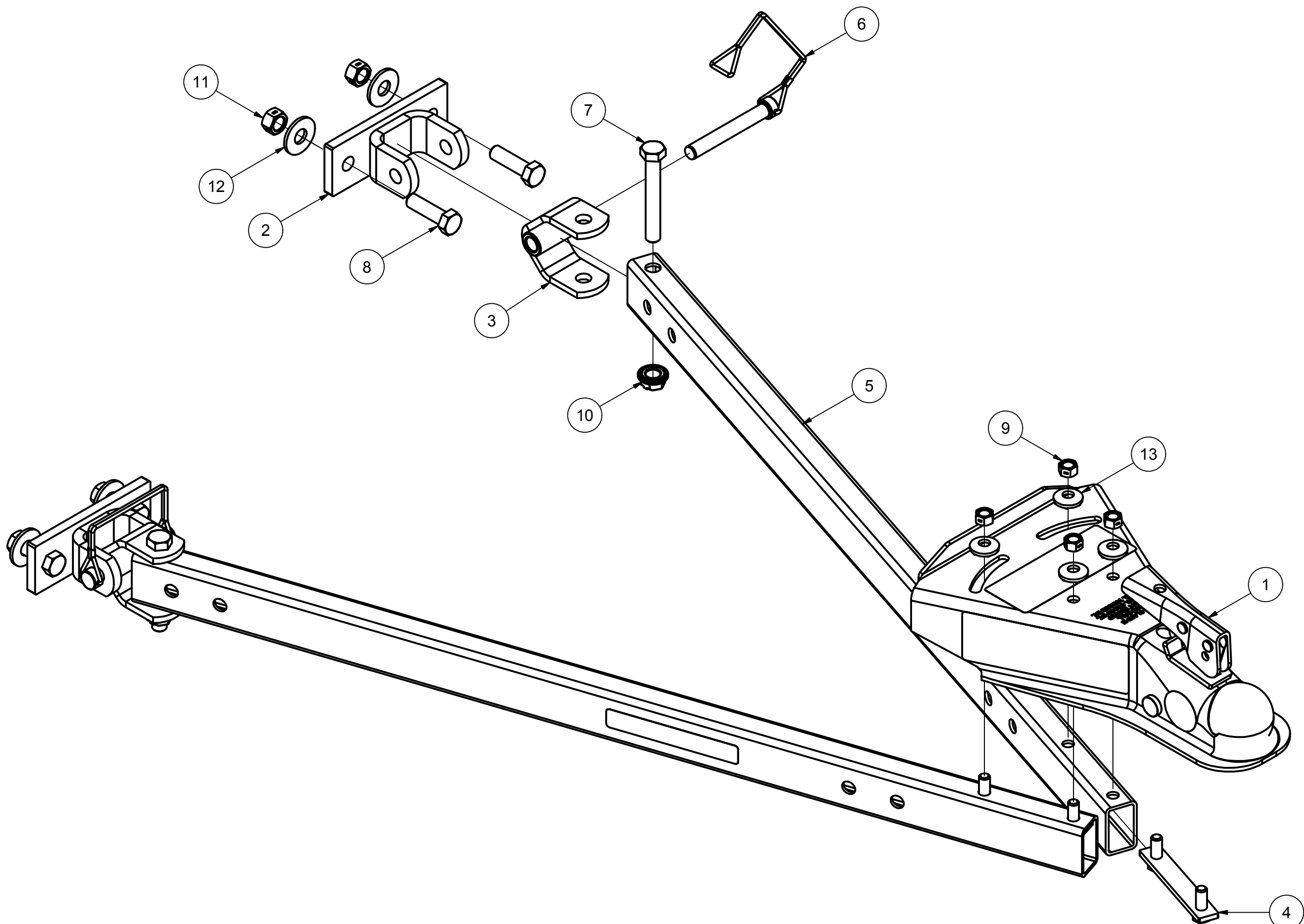
THIS PRODUCT HAS BEEN DESIGNED TO TOW MOTOR VEHICLES WITH FOUR WHEELS. IT IS INTENDED FOR LIGHT AND MEDIUM DUTY APPLICATIONS NOT TO EXCEED A MAXIMUM GROSS WEIGHT OF 5000 LBS

**WARNING: \*\*\* DO NOT EXCEED VEHICLE MANUFACTURER'S RECOMMENDED TOWING CAPACITY \*\*\***

FOR MORE INFORMATION LOG ONTO [WWW.CURTMFG.COM](http://WWW.CURTMFG.COM) & FOR HELPFUL TOWING TIPS LOG ONTO [WWW.HITCHINFO.COM](http://WWW.HITCHINFO.COM)  
HAVING INSTALLATION QUESTIONS? CALL TECHNICAL SUPPORT AT 1-800-798-0813



Parts List			
ITEM	QTY	PART NUMBER	DESCRIPTION
1	1	19745-100	COUPLER ASSEMBLY
2	2	19745-101	CLEVIS MOUNT WELDMENT
3	2	19745-102	CONNECTOR WELDMENT
4	2	19745-103	BOLT PLATE WELDMENT
5	2	19745-006	FRAME ARM
6	2	19746-001	1/2" SAFETY PIN
7	2	10-10036	HHCS, 1/2-13 UNC, 3-1/2, GRD5
8	4	10-10076	HHCS, 1/2-13, 1-3/4, GRD5
9	4	20-00043	NUT, CTR LOCK, 3/8-16, GRD5
10	2	20-00044	NUT, TOP LOCK FLANGE, 1/2-13, GRD5
11	4	20-00045	NUT, CTR LOCK, 1/2-13, GRD5
12	4	30-00011	WASHER, FLAT, 1/2
13	4	30-00037	WASHER, S-CON, 3/8



**PERIODICALLY CHECK THAT ALL FASTENERS ARE TIGHT  
AND THAT ALL STRUCTURAL COMPONENTS ARE SOUND.**

Scan  
for more  
information

CURT Manufacturing LLC., warrants this product to be free of defects in material and/or workmanship at the time of retail purchase by the original purchaser. If the product is found to be defective, CURT Manufacturing LLC., may repair or replace the product, at their option, when the product is returned, prepaid, with proof of purchase. Alteration to, misuse of, or improper installation of this product voids the warranty. CURT Manufacturing LLC.'s liability is limited to repair or replacement of products found to be defective, and specifically excludes liability for incidental or consequential loss or damage.

This product complies with safety specifications and requirements for connecting devices and towing systems of the state of New York, V.E.S.C.Regulation V-5 and SAE J684.

HAVING INSTALLATION QUESTIONS? CALL TECHNICAL SUPPORT AT 1-800-798-0813

## CLEVIS MOUNT INSTALLATION STEPS

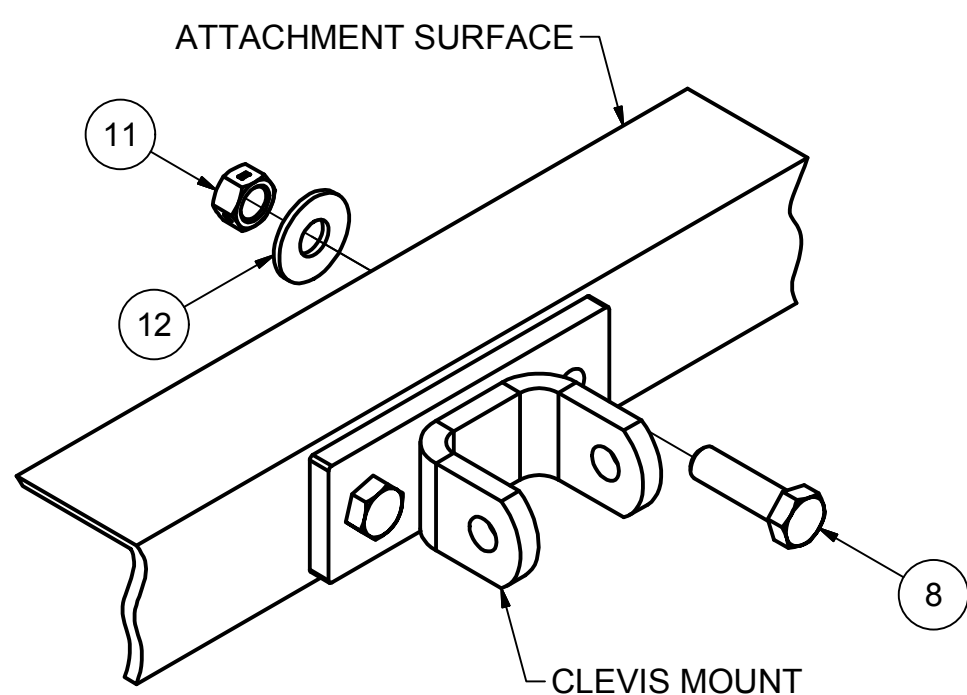
### NOTES:

- Installer / owner is responsible for locating rigid mounting points to attach clevis mounts. A structure may need to be fabricated to allow the tow bar to be attached to the frame of the tow vehicle.
- It is recommended that clevis mounts be secured to a flat, nearly vertical area of the bumper.
- Clevis mounts should be spaced equally from centerline of vehicle. Recommended clevis mount spacing is 26" to 41", with 33" preferred.

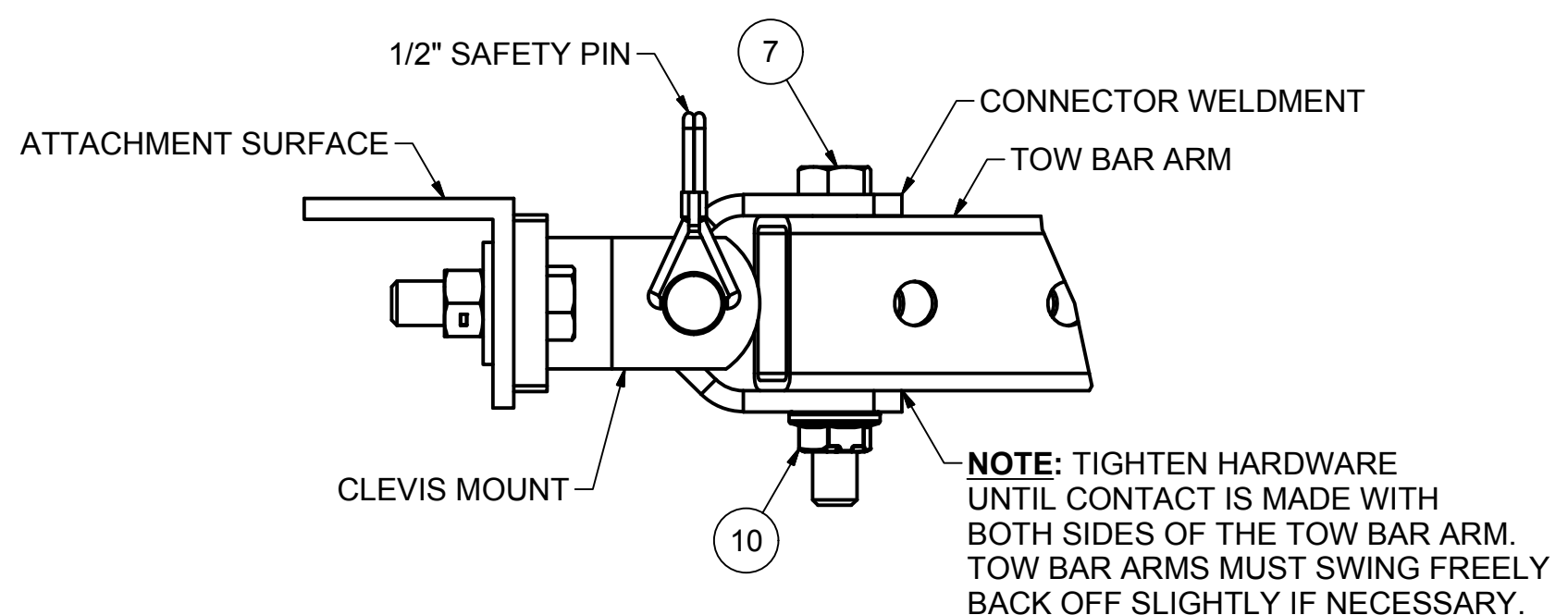
1. Mark both centers of the clevis mounts on the attachment surface at the desired width.
2. Using the clevis mount as a template, drill (2) 1/2" holes into the attachment surface, both sides.
3. Secure the clevis mount to the attachment surface with 1/2-13 x 1-3/4" bolts, 1/2" washers, and 1/2-13 lock nuts, See Figure A.
4. Torque all 1/2" fasteners to 75 ft-lbs.

## HOOK-UP INSTALLATION STEPS

1. Secure connector weldments to tow bar arms with 1/2-13 x 3-1/2" hex bolts and 1/2-13 flange nuts. Tighten the 1/2" hardware until contact is made with both sides of the tow bar arms, See Figure B.  
**Note:** Tow bar arms must swing freely, back off hardware slightly if necessary.
2. Attach the tow bar assemblies to the previously installed clevis mounts using 1/2" safety pins.
3. Loosely secure the coupler assembly to the tow bar arms using the bolt plate weldments, 3/8" conical washers, and 3/8-16 hex nuts.
4. Center the coupler assembly with the tow vehicle and torque the 3/8" fasteners to 31 ft-lbs.
5. Attach the tow bar coupler to the 2" ball of towing vehicle. **Notes:** Insure that the tow bar coupler is straight and that the height difference between the ball and the clevis mount does **NOT** exceed 6". Adjust ball height to make the tow bar level.



**FIGURE A**



**FIGURE B**

**NOTE:** TIGHTEN HARDWARE UNTIL CONTACT IS MADE WITH BOTH SIDES OF THE TOW BAR ARM. TOW BAR ARMS MUST SWING FREELY BACK OFF SLIGHTLY IF NECESSARY.

**PERIODICALLY CHECK THAT ALL FASTENERS ARE TIGHT AND THAT ALL STRUCTURAL COMPONENTS ARE SOUND.**

CURT Manufacturing LLC., warrants this product to be free of defects in material and/or workmanship at the time of retail purchase by the original purchaser. If the product is found to be defective, CURT Manufacturing LLC., may repair or replace the product, at their option, when the product is returned, prepaid, with proof of purchase. Alteration to, misuse of, or improper installation of this product voids the warranty. CURT Manufacturing LLC.'s liability is limited to repair or replacement of products found to be defective, and specifically excludes liability for incidental or consequential loss or damage.

This product complies with safety specifications and requirements for connecting devices and towing systems of the state of New York, V.E.S.C.Regulation V-5 and SAE J684.

HAVING INSTALLATION QUESTIONS? CALL TECHNICAL SUPPORT AT 1-800-798-0813

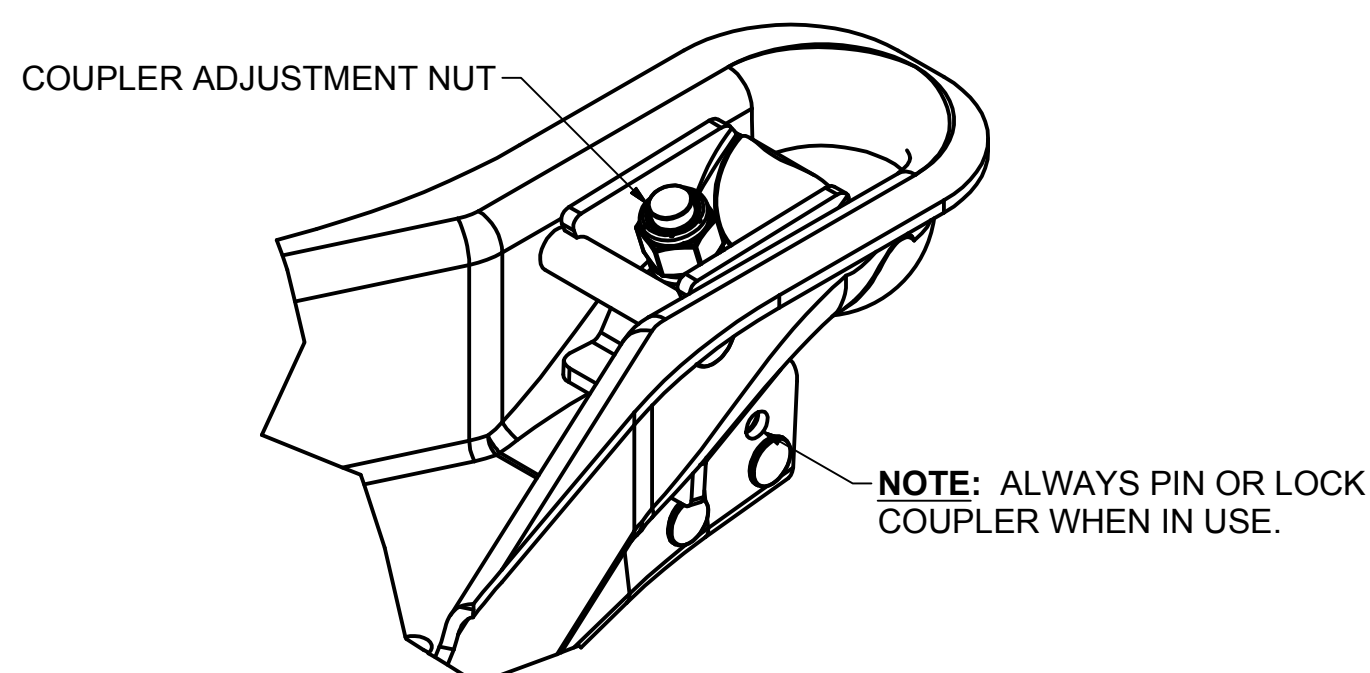
### **BEFORE EVERY TOWING USE:**

- Adjust coupler to fit ball by turning nut under coupler, latch needs to engage coupler and coupler must not be loose on ball, See Figure C.
- Coupler latch must be secured with either a clip or a coupler lock, See Figure C. (sold separately)
- Attach 2 safety chains between the vehicles. (sold separately)  
**Note:** Individual safety chains must have a breaking strength equal to, or exceeding the gross weight of the towed vehicle.
- Connect appropriate wiring for stop, turn, tail, and marker lights. (sold separately)
- Only tow a vehicle, and tow with a vehicle in good condition.
- Check for proper clearance between vehicles in a turning situation.
- Unlock the steering wheel for towing to allow the front wheels of the towed vehicle to "track".
- Set transmission for towing according to the owner's manual. Verify recreational towing procedures in the vehicle owner's manual.

### **TOWING PRECAUTIONS:**

- Avoid sharp turns and rough terrain.
- Check installation after any unusual event and periodically on a long trip.
- Do not back-up while vehicle is attached. Damage to both vehicles and towing system may occur.
- Prior to towing, check to be sure all the towing accessories and attachment points are secure and in proper working order.
- Ensure that your towing vehicle is of adequate size to properly control your towed vehicle. Stopping distances will increase, adjust your driving accordingly.
- Never exceed the lowest rating of any part of your towing system.

**Consult you vehicle owner's manual for towing limitations.**



**FIGURE C**

**PERIODICALLY CHECK THAT ALL FASTENERS ARE TIGHT  
AND THAT ALL STRUCTURAL COMPONENTS ARE SOUND.**

CURT Manufacturing LLC., warrants this product to be free of defects in material and/or workmanship at the time of retail purchase by the original purchaser. If the product is found to be defective, CURT Manufacturing LLC., may repair or replace the product, at their option, when the product is returned, prepaid, with proof of purchase. Alteration to, misuse of, or improper installation of this product voids the warranty. CURT Manufacturing LLC.'s liability is limited to repair or replacement of products found to be defective, and specifically excludes liability for incidental or consequential loss or damage.

This product complies with safety specifications and requirements for connecting devices and towing systems of the state of New York, V.E.S.C.Regulation V-5 and SAE J684.