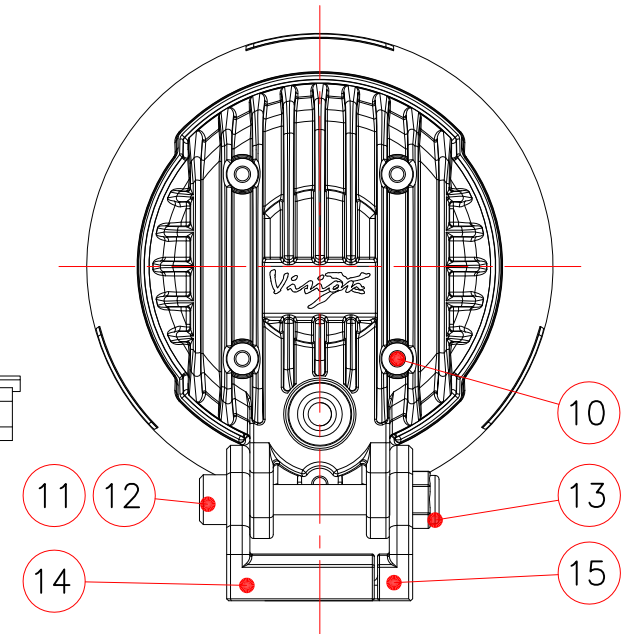
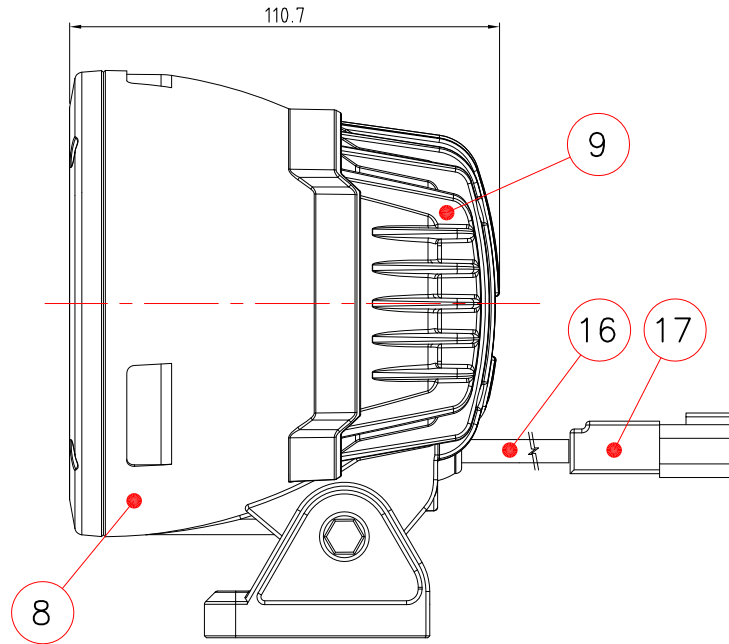
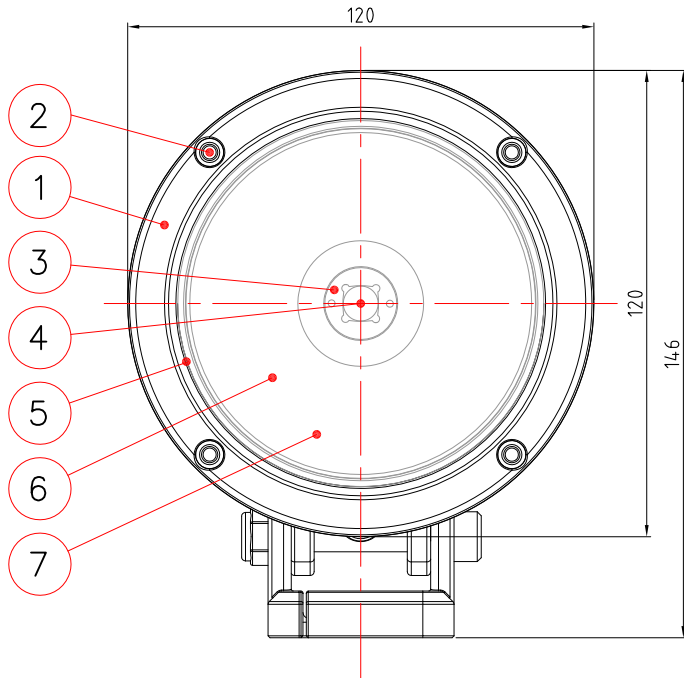


ISO-VIEW

[SPECIFICATION]

1. OPERATING VOLTAGE : DC 9V ~ 32V
2. WATTAGE : 25W
3. LED : SST-90 (LUMINUS)
4. LUMINOUS FLUX : 1,020 (lm)
5. REFLECTOR : PC
6. WEIGHT : 920 (g)
7. VIBRATION : - (Grms)
8. WEATHER PROOF & DUST RESISTANCE
9. TEMPERATURE : -40 °C ~ 85°C
10. LIFE : 50,000 (Hr)
11. IP RATING : IP68

17	DEUTSCH-2P	RECEPTACLE:DT04-2P-E004/TERMINAL:1060-16-0122/WEDGE:W2P)	1	
16	WIRE	AWG18/100mm	1	
15	BASE-BRKT(L)	ZNDC2 (LIQUID-COATING)	1	
14	BASE-BRKT(R)	ZNDC2 (LIQUID-COATING)	1	
13	NUT	M8 (NYLOK)	1	
12	WASHER	M8 (1T/SUS)	1	
11	BOLT	ALLEN/SUS/M8X60(NYLOK)	1	
10	BOLT	ALLEN/SUS/M4X12(NYLOK)	4	
9	HEAT-SINK(R)	ALDC12 (POWDER-COATING)	1	
8	BODY	PC+GF30% (-)	1	
7	PC-COVER	PC(CLEAR/3.0T)	1	
6	REFLECTOR	PC(Vacuum Evaporation Coating)	1	
5	SEAL-TUBE	SILICONE	1	
4	LED-PCB	LUMINUS-25W/SST-90	1	
3	REFLECTOR-GUIDE	PC(Vacuum Evaporation Coating)	1	
2	BOLT	ALLEN/SUS/M4X20	4	
1	TOP-COVER	ALDC12 (POWDER-COATING)	1	
NO	PARTS NAME	SPEC (FINISHING)	Q'TY	REMARK



UNIT	mm	DRAWING	CHECK	APPROVAL	TITLE	CTL-XPZ100 [EXTERNAL VIEW]
TOL.	±0.2	S.G.PARK				
SCALE	1:1					
DATE	2013.01.29					
VISION X ASIA CO.,LTD.					DRAWING NO.	VX-BD-0000-0