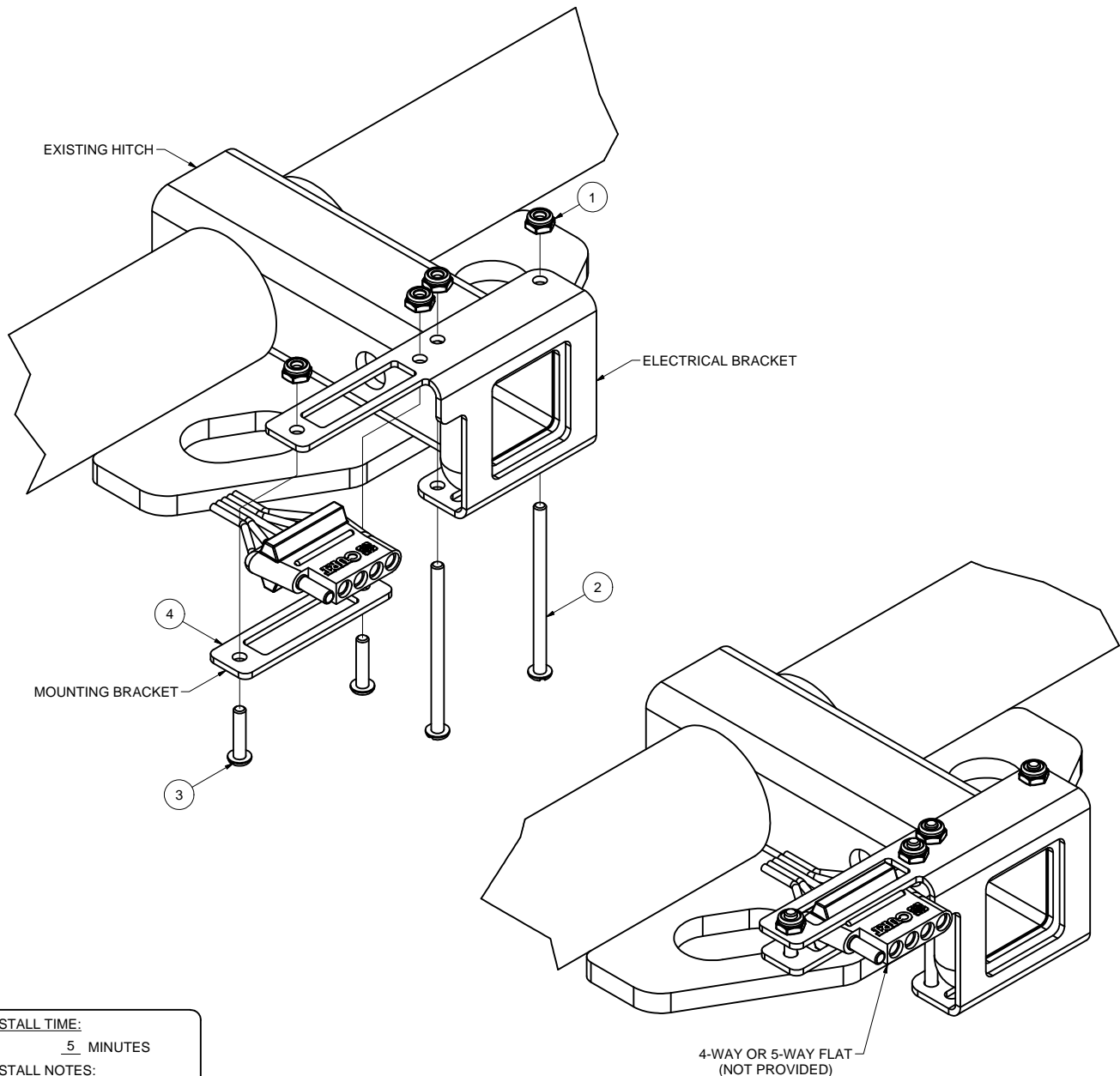


58002**ELECTRICAL BRACKET 4 OR 5-WAY FLAT****3/09/2012****HAVING INSTALLATION QUESTIONS? CALL TECHNICAL SUPPORT AT 1-800-798-0813**

Parts List			
ITEM	QTY	PART NUMBER	DESCRIPTION
1	4	#8-32 HEX JNN Z	#8-32 HEX JAM NYLOCK NUT Z
2	2	#8-32 x 2 5_8 RH MSS Z	#8-32 x 2 5_8 ROUND HEAD SCREW SLOTTED ZINC
3	2	#8-32 x .75" RH MSS Z	#8-32 x .75" ROUND HEAD SCREW SLOTTED ZINC
4	1	58002-MB	MOUNTING BRACKET 13 GA (.089) A-36 H.R.

**INSTALL TIME:**

_ 5 MINUTES

INSTALL NOTES:

- NO DRILLING REQUIRED

INSTALLATION STEPS

Note: Prior to installing the electrical bracket check for adequate clearance for your plug and wiring.

1. Attach your 4 or 5-way flat using the provided hardware, as shown.
2. Slide the electrical bracket over the receiver tube collar.
3. Secure electrical bracket to receiver tube collar using the provided hardware, as shown.

Curt Manufacturing LLC., warrants this product to be free of defects in material and/or workmanship at the time of retail purchase by the original purchaser. If the product is found to be defective, Curt Manufacturing LLC., may repair or replace the product, at their option, when the product is returned, prepaid, with proof of purchase. Alteration to, misuse of, or improper installation of this product voids the warranty. Curt Manufacturing LLC.'s liability is limited to repair or replacement of products found to be defective, and specifically excludes liability for incidental or consequential loss or damage.