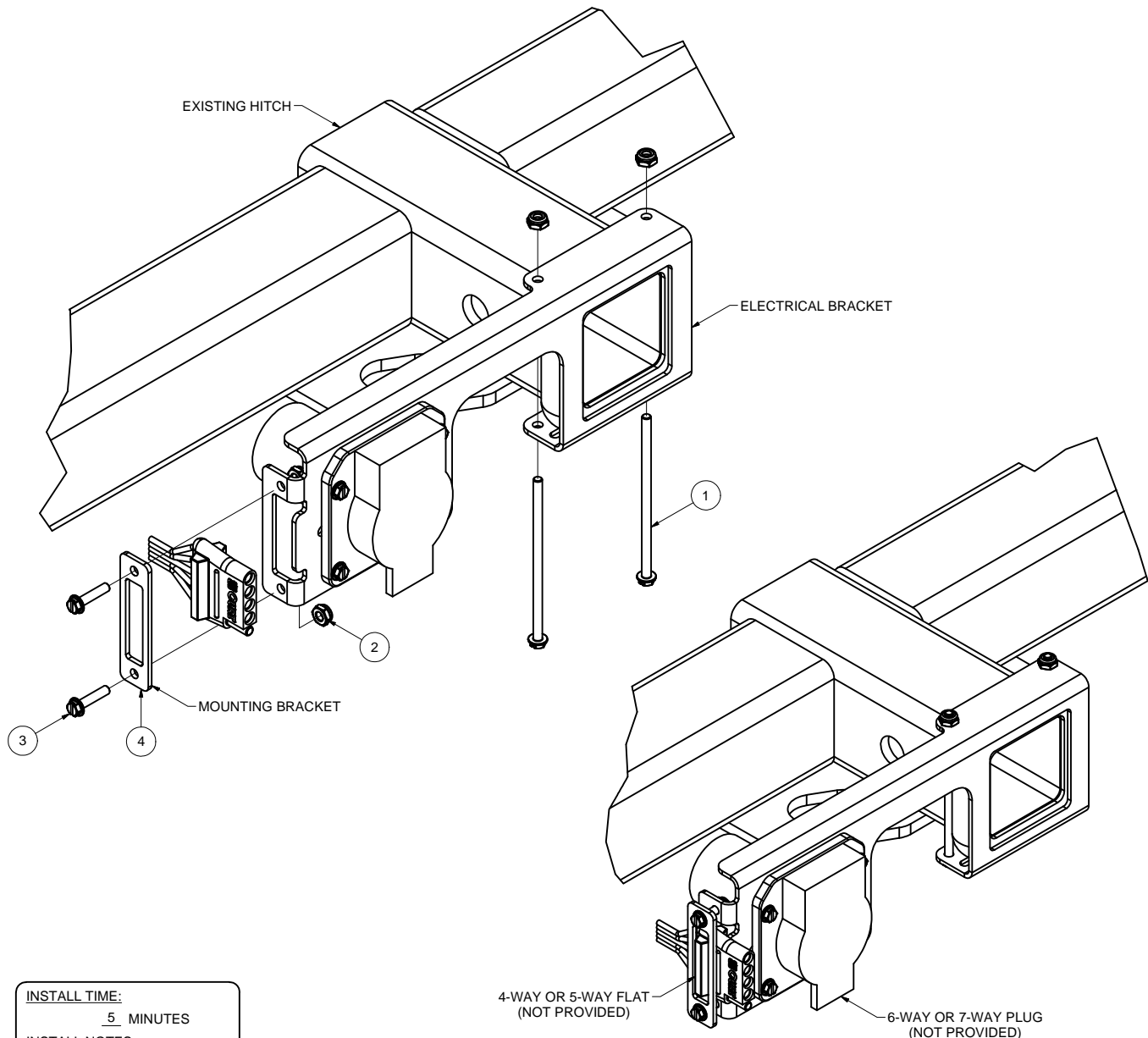


58000**ELECTRICAL BRACKET 6 OR 7-WAY PLUG & 4 OR 5-WAY FLAT****3/09/2012****HAVING INSTALLATION QUESTIONS? CALL TECHNICAL SUPPORT AT 1-800-798-0813**

		Parts List	
ITEM	QTY	PART NUMBER	DESCRIPTION
1	2	#8-32 X 3 1_2 HEX SFB Z	#8-32 X 3 1_2 SLOTTED HEX FLANGE BOLT Z
2	8	#8-32 HEX JNN Z	#8-32 HEX JAM NYLOCK NUT Z
3	6	#8-32 X 3_4 HEX SFB Z	#8-32 X 3_4 SLOTTED HEX FLANGE BOLT Z
4	1	58000-MB	MOUNTING BRACKET 13 GA (.089) A-36 H.R.

**INSTALL TIME:**

_5 MINUTES

INSTALL NOTES:**- NO DRILLING REQUIRED****INSTALLATION STEPS**

Note: Prior to installing the electrical bracket check for adequate clearance for your plug(s) and wiring.

1. Attach your 6 or 7-way plug and your 4 or 5-way flat using the provided hardware, as shown.
2. Slide the electrical bracket over the receiver tube collar.
3. Secure electrical bracket to receiver tube collar using the provided hardware, as shown.

Curt Manufacturing LLC., warrants this product to be free of defects in material and/or workmanship at the time of retail purchase by the original purchaser. If the product is found to be defective, Curt Manufacturing LLC., may repair or replace the product, at their option, when the product is returned, prepaid, with proof of purchase. Alteration to, misuse of, or improper installation of this product voids the warranty. Curt Manufacturing LLC.'s liability is limited to repair or replacement of products found to be defective, and specifically excludes liability for incidental or consequential loss or damage.