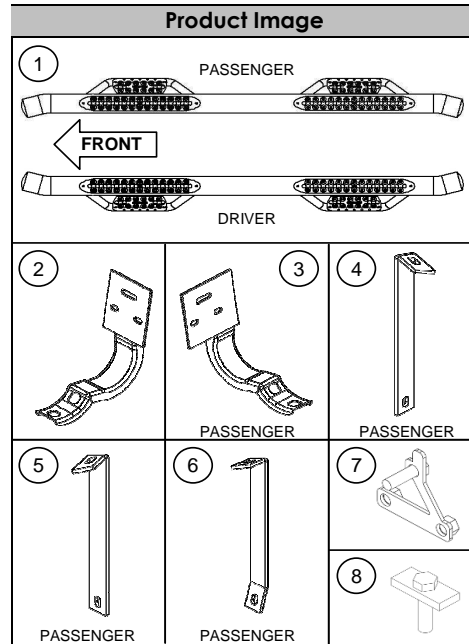


Parts List				
Item	Qty.	Code	Description	Max. Torque
1 Kit D44106 DOMINATOR IV				
1	1 Set	D441060AA-0BA	Side bar Dominator IV	-
1 Kit BRK-D44-224 Hardware brackets kit				
2	4 Piece	D44-2240CA	Front and middle bracket	-
3	1 Set	D44-2240DA	Rear bracket	-
4	1 Set	D44-2242AA	Auxiliary front bracket	-
5	1 Set	D44-2242BA	Auxiliary middle bracket	-
6	1 Set	D44-2242CA	Auxiliary rear bracket	-
7	6 Piece	372240BA	Mounting bracket	-
8	6 Piece	370200AA	3/8" Bolt plate	-
1 Kit KTE-D44-224 Hardware bolts kit				
9	12 Piece	-	5/16" x 1" Hex head bolt Zinc black	24 Lb.ft
10	24 Piece	-	5/16" Lock washer Zinc black	-
11	18 Piece	-	3/8" Flat washer Zinc black	-
12	6 Piece	-	2 1/2 x 5/16" Vinyl gasket	-
13	12 Piece	-	3/8 x 1" Hex head bolt Zinc plate	30 Lb.ft
14	24 Piece	-	3/8" Flat washer Zinc plate	-
15	24 Piece	-	3/8" Lock washer Zinc plate	-
16	12 Piece	-	3/8" Hex nut Zinc plate	30 Lb.ft
17	12 Piece	-	M8 x 25mm Hex head bolt Zinc black	30 Lb.ft
18	6 Piece	-	3/8 x 1" Carriage head bolt Zinc black	30 Lb.ft
19	6 Piece	-	3/8" Lock washer Zinc black	-
20	6 Piece	-	3/8" Hex nut Zinc black	30 Lb.ft
21	12 Piece	-	5/16" Flat washer Zinc black	-

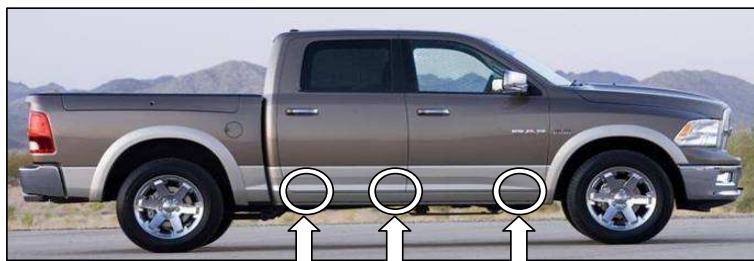
Required Tools (Not included)	
Qty.	Description
1	1/2" Socket & 1/2" Wrench
1	9/16" Socket & 9/16" Wrench
1	13mm Socket & 13mm Wrench
1	Ratchet
1	Extension



Instructions

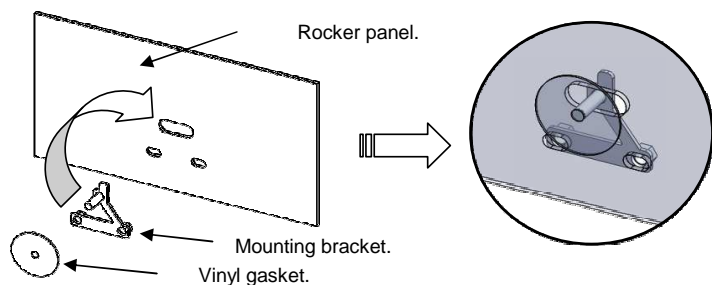
- 1.- Before beginning the installation, please read all directions carefully and verify that all necessary hardware is accounted for. If any parts are missing, stop the installation and contact your distributor immediately.
 - 2.- To maintain and care this product keep it clean and do not use abrasive cleaners or polish waxes. We recommend to use only non-abrasive automotive wax such as pure carnauba to avoid scratches and rust.
 - 3.- The approximate installation time is 45 min.
 - 4.- To install front, middle and rear mounting brackets locate in the rocker panel the holes covered in tape and remove the tape. Place one vinyl gasket to the bolt of the mounting bracket then insert into the exposed hole. **SEE PICTURE 1 & 2.**
- NOTE 1: It is important to place vinyl gaskets to the bolts to prevent the mounting bracket from falling into the rocker panel.**

PICTURE 1.

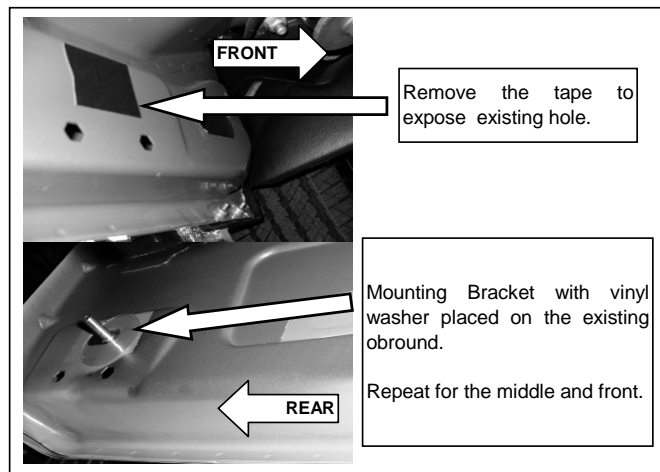


In this part, install each of the passenger side bracket.

ILLUSTRATION 1.



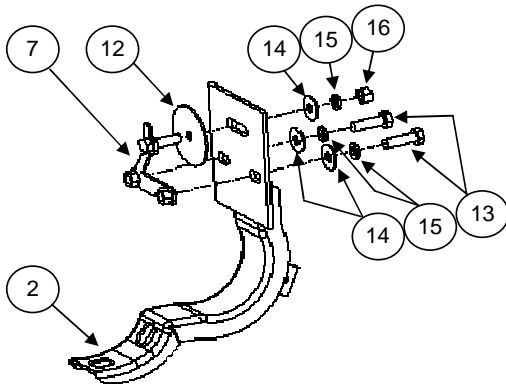
PICTURE 2.



5.- To attach the front and middle bracket, attach to the bolt on the mounting bracket that went in by vehicle panel with: 3/8" flat and lock washer, 3/8" hex nut. And the nut on the mounting bracket with: 3/8 x 1" hex head bolt, 3/8" flat and lock washer. **SEE ILLUSTRATION 2.** Leave loose.

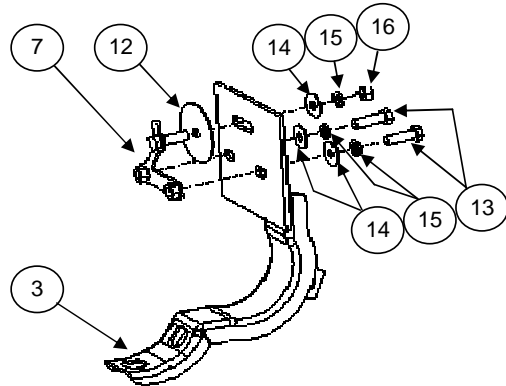
6.- To attach the rear bracket, identify and attach the bracket in the same way that the front and middle bracket. **SEE ILLUSTRATION 3.** Leave loose.

ILLUSTRATION 2.



Use ratchet & 9/16" hex socket.

ILLUSTRATION 3.

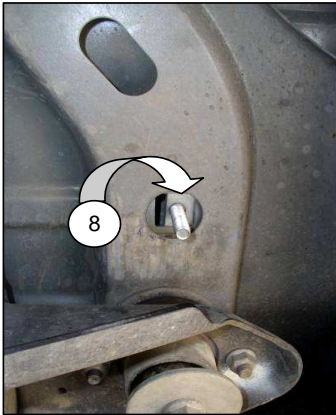


Use ratchet & 9/16" hex socket.

NOTE: If the vehicle model has two threaded holes in the lower part, attach with: 5/16" flat and lock washer, M8 x 25mm hex head bolt. By each threaded hole.

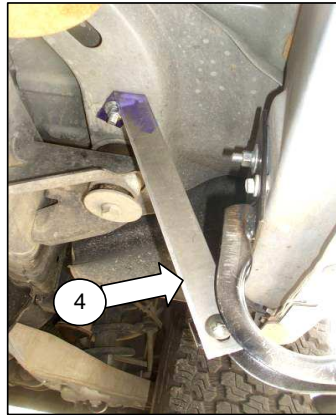
7.- Locate the square holes in the top of the rocker panel and insert a 3/8" bolt plate, identify the auxiliary front bracket, passenger side and attach with: 3/8" flat and lock washer, 3/8" hex nut. Assemble the front auxiliary bracket to bracket and attach with: 3/8 x 1" carriage head bolt, 3/8" flat and lock washer, 3/8" hex nut. **SEE PICTURE 3 & 4, ILLUSTRATION 4.** Leave loose.

PICTURE 3.



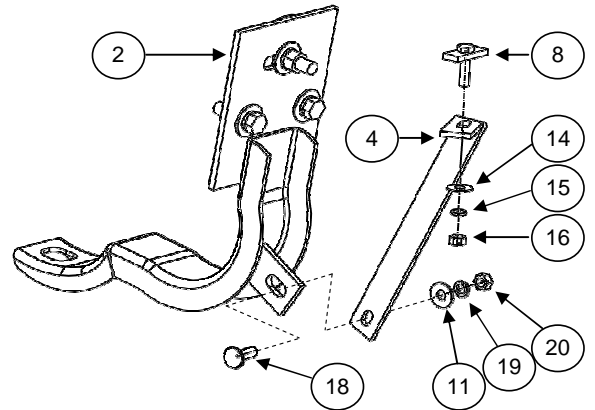
Insert 3/8" bolt plate in the square hole.

PICTURE 4.



Auxiliary front bracket. Passenger side.

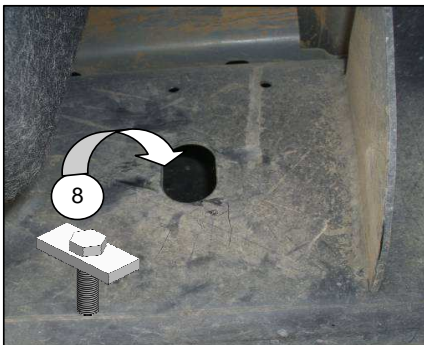
ILLUSTRATION 4.



Use ratchet & 9/16" hex socket.

8.- Locate the hole in the chassis, rear part to middle bracket and insert 3/8" bolt plate, identify the auxiliary middle bracket, passenger side and attach with: 3/8" flat and lock washer, 3/8" hex nut. Assemble the middle auxiliary bracket to bracket and attach with: 3/8 x 1" carriage head bolt, 3/8" flat and lock washer, 3/8" hex nut. **SEE PICTURE 5 & 6, ILLUSTRATION 5.** Leave loose.

PICTURE 5.



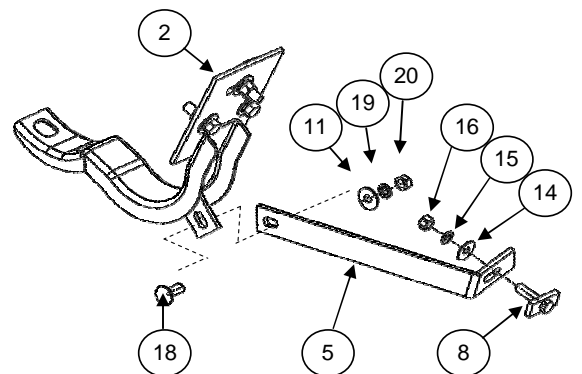
Insert the 3/8" bolt plate in hole indicated.

PICTURE 6.



Auxiliary middle bracket. Passenger side.

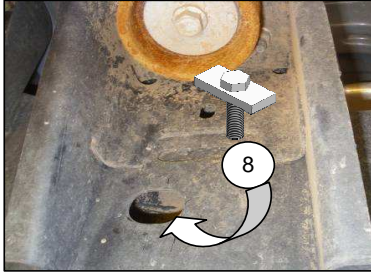
ILLUSTRATION 5.



Use ratchet & 9/16" hex socket.

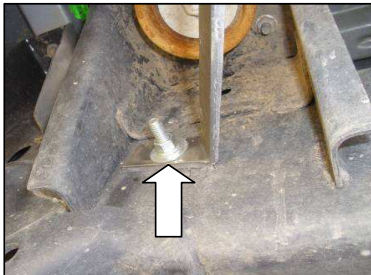
8.- Locate the hole in the chassis, rear part to rear bracket and insert 3/8" bolt plate, identify the auxiliary rear bracket, passenger side and attach with: 3/8" flat and lock washer, 3/8" hex nut. Assemble the rear auxiliary bracket to bracket and attach with: 3/8 x 1" carriage head bolt, 3/8" flat and lock washer, 3/8" hex nut. **SEE PICTURE 7 & 8 & 9, ILLUSTRATION 6.** Leave loose.

PICTURE 7.



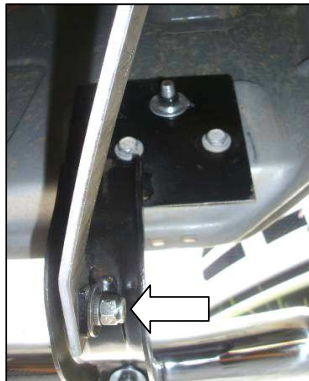
Insert the 3/8" bolt plate in hole indicated.

PICTURE 8.



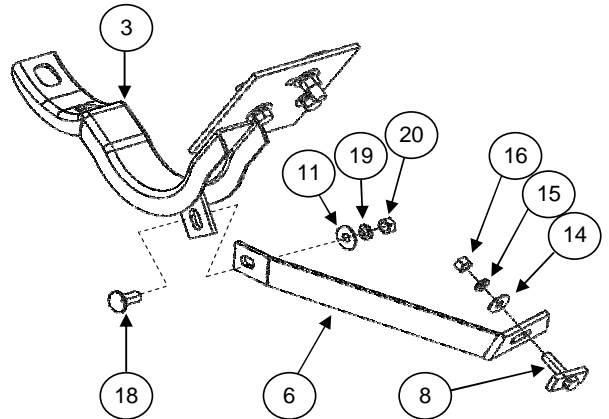
Rear auxiliary bracket installed on chassis.
Passenger side.

PICTURE 9.



Rear auxiliary bracket installed on bracket.
Passenger side.

ILLUSTRATION 6.



Use ratchet & 9/16" hex socket.

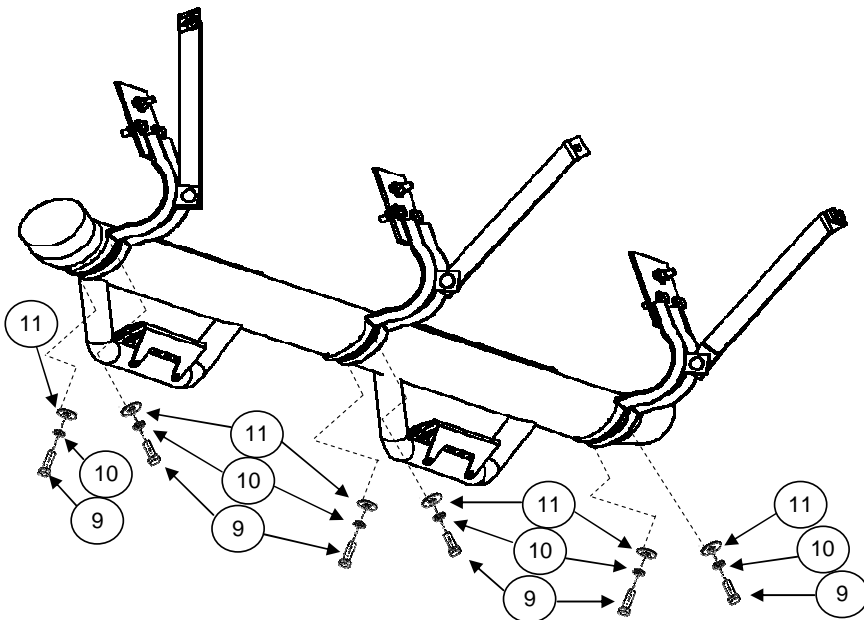
9.- Mount the side bar to the brackets and attach with: 5/16 x 1 1/4" hex head bolt, 3/8" flat washer, 5/16" lock washer. By each bracket. Leave loose. **SEE ILLUSTRATION 7.**

10.- Make any final adjustments to the alignment of the bracket and tighten all bolts.

Repeat the above steps to install the driver side.

11.- Periodically check your product because it may need a re-tighten of bolts.

ILLUSTRATION 7.



Use ratchet & 1/2" hex socket.

PICTURE 10.



DOMINATOR IV INSTALLED, PASSENGER SIDE.