

**Any damaged or missing parts?**

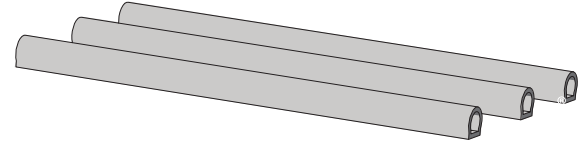
Parts will be shipped to you directly.  
Call 818-365-9000 Mon - Fri 8:30 am - 6:00 pm EST  
or email support@bakindustries.com

### PARTS INCLUDED IN THE KIT

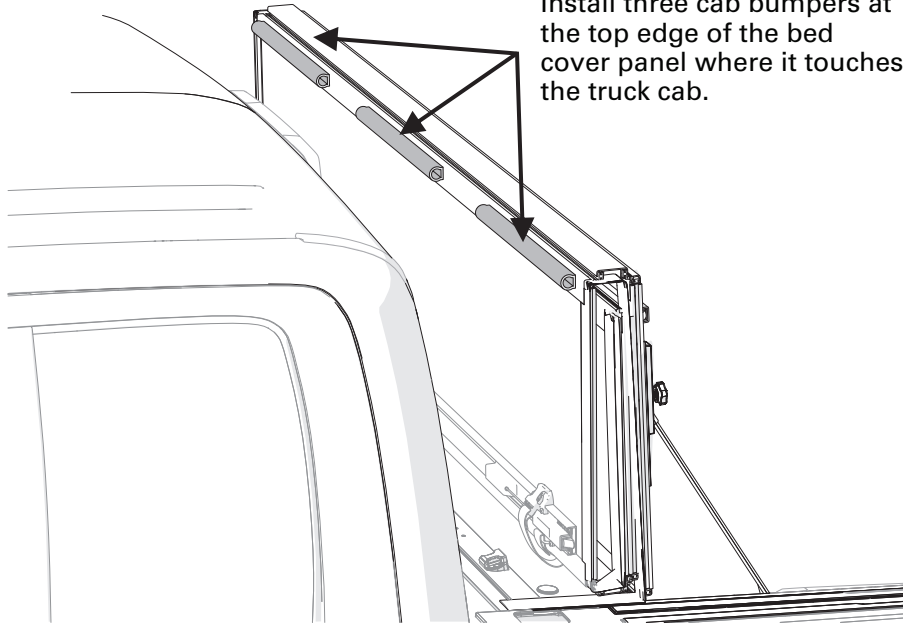
- Three adhesive-backed D-shaped foam bumpers

### TOOLS REQUIRED

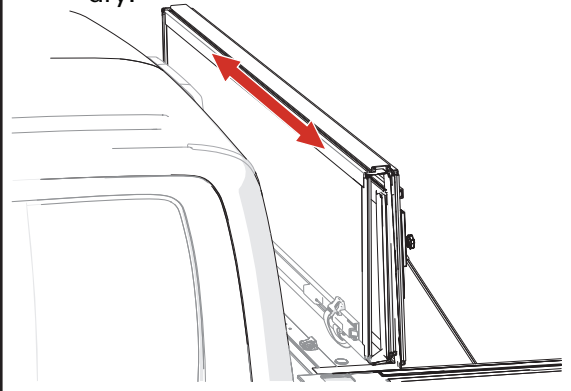
- Cleaning cloth
- Isopropyl alcohol



Install three cab bumpers at the top edge of the bed cover panel where it touches the truck cab.

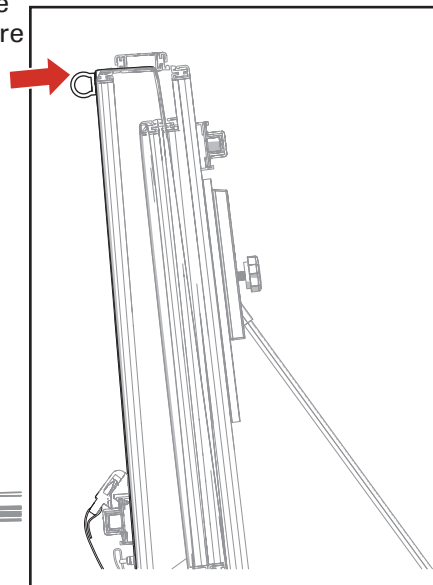


- 1 Clean the surface where the bumpers will go with soap and water to remove dirt and debris. Then clean the same surface with isopropyl alcohol to remove wax or grease and to evaporate any remaining water. Allow the surface to dry.



- 2 Remove the backing and adhere the three bumpers to the top edge of the bed cover panel where it touches the truck cab. Apply pressure to the entire bumper to make sure the adhesion is good.

Place the bumpers as far up to the top of the panel as possible.



Position the outside bumpers 1.5" (38 mm) from the outside edge of the cover panel.

After installation, slowly lean the cover against the cab and visually inspect for proper placement, verifying that only the bumper is contacting the truck cab.

