








ENGLISH .....	1 - 9
FRANÇAIS .....	11 - 19
DEUTSCH .....	21 - 29
ITALIANO .....	31 - 39
ESPAÑOL .....	41 - 49
DANSK .....	51 - 59



As you read these instructions, you will see WARNINGS, CAUTIONS, NOTICES and NOTES. Each message has a specific purpose. WARNINGS are safety messages that indicate a potentially hazardous situation, which, if not avoided could result in serious injury or death. CAUTIONS are safety messages that indicate a potentially hazardous situation which, if not avoided, may result in minor or moderate injury. A CAUTION may also be used to alert against unsafe practice. CAUTIONS and WARNINGS identify the hazard, indicate how to avoid hazard, and advise of the probable consequence of not avoiding the hazard. NOTICES are messages to avoid property damage. NOTES are additional information to help you complete a procedure. **PLEASE WORK SAFELY!**

 <b>WARNING</b>	
	
<p><b>CHEMICAL AND FIRE HAZARD</b> Failure to observe these instructions could lead to severe injury or death.</p> <ul style="list-style-type: none"> <li>• <b>Always</b> remove jewelry and wear eye protection.</li> <li>• <b>Never</b> lean over battery while making connections.</li> <li>• <b>Always</b> verify area is clear of fuel lines, fuel tank, brake lines, electrical wires, etc., when drilling.</li> <li>• <b>Never</b> route electrical cables:             <ul style="list-style-type: none"> <li>- Across any sharp edges.</li> <li>- Through or near moving parts.</li> <li>- Near parts that become hot.</li> </ul> </li> <li>• <b>Always</b> insulate and protect all exposed wiring and electrical terminals.</li> <li>• <b>Always</b> install terminal boots as directed in installation instructions.</li> </ul>	

 <b>WARNING</b>		
		
<p><b>MOVING PARTS ENTANGLEMENT HAZARD</b> Failure to observe these instructions could lead to severe injury or death.</p> <p>To avoid injury to hands or fingers.</p> <ul style="list-style-type: none"> <li>• <b>Always</b> keep hands clear of wire rope, hook loop, hook and fairlead opening during installation, operation, and when spooling in or out.</li> <li>• <b>Always</b> use extreme caution when handling hook and wire rope during spooling operations.</li> <li>• <b>Always</b> use supplied hook strap whenever spooling wire rope in or out, during installation or operation to avoid injury to hands or fingers.</li> </ul>		

 <b>WARNING</b>	
	
<p><b>FALLING OR CRUSHING HAZARD</b> Failure to observe these instructions could lead to severe injury or death.</p> <ul style="list-style-type: none"> <li>• <b>Never</b> operate winch with less than 5 wraps of rope around the drum. Rope could come loose from the drum, as the rope attachment to the drum is not designed to hold a load.</li> <li>• <b>Never</b> use as an overhead hoist, or to suspend a load.</li> <li>• <b>Never</b> use to lift or move persons.</li> </ul>	

**CAUTION****MOVING PARTS ENTANGLEMENT HAZARD**

Failure to observe these instructions could lead to minor or moderate injury.

**General Safety:**

- **Always** Know Your Winch: Take time to fully read and understand the Installation and Operations guide, and Basic Guide to Winching Techniques, in order to understand your winch and its operation.
- **Never** operate this winch if you are under 16 years of age.
- **Never** operate this winch when under the influence of drugs, alcohol or medication.
- **Never** exceed winch or wire rope rated capacity. Double line using a snatch block to reduce winch load.

**Installation Safety:**

- **Always** choose a mounting location that is sufficiently strong to withstand the maximum pulling capacity of your winch.
- **Always** use factory approved mounting hardware, components, and accessories.
- **Always** use grade 5 or better hardware and never weld bolts.
- **Always** use care when using longer bolts than those supplied by factory. Bolts that are too long can damage the base and/or prevent the winch from being mounted securely.
- **Always** mount the winch and attach the hook to the rope's end loop before connecting the electrical wiring.
- **Always** position fairlead with WARNING label on top.
- **Always** spool the wire rope onto the drum in the direction indicated by the drum rotation label on the winch. This is required for automatic brake to function properly.
- **Always** prestretch wire rope and respool under load before use. Tightly wound wire rope reduces chances of "binding", which can damage the rope.

**CAUTION****MOVING PARTS ENTANGLEMENT HAZARD**

Failure to observe these instructions could lead to minor or moderate injury.

**Winching Safety:**

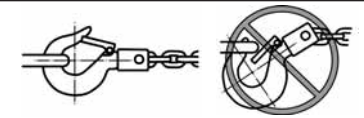
- **Always** inspect winch installation, wire rope and hook condition before operating winch. Frayed, kinked or damaged wire rope must be replaced immediately. Loose or damaged winch installation must be corrected immediately. Immediately replace a hook that is damaged, bent or twisted.
- **Never** leave remote control plugged into winch while free spooling, rigging, or sitting idle.
- **Never** hook wire rope back onto itself. This damages the wire rope. Always use a choker chain, wire choker rope or tree trunk protector on the anchor.
- **Always** prior to winching, remove any element that may interfere with safe winch operation.
- **Always** take your time when rigging for a winch pull.
- **Always** be certain the anchor you select will withstand the load, and the strap or chain will not slip.
- **Never** engage or disengage clutch if winch is under load, wire rope is in tension or wire rope drum is moving.
- **Always** unspool as much wire rope as possible when rigging. Double line or pick distant anchor point.
- **Always** stand clear of wire rope and load during operation.
- **Never** touch wire rope or hook while in tension or under load.
- **Never** touch wire rope or hook while someone else is at the control switch or during winching operation.
- **Never** touch wire rope or hook while remote control is plugged into winch.
- **Always** stand clear of wire rope and load and keep others away while winching.

**CAUTION****MOVING PARTS ENTANGLEMENT HAZARD**

Failure to observe these instructions could lead to minor or moderate injury.

**Winching Safety:**

- **Always** be aware of stability of vehicle and load during winching. Alert all bystanders of any unstable condition.
- **Always** keep remote control lead clear of the drum, wire rope and rigging. Inspect for cracks, pinches, frayed wires or loose connections. Replace if damaged.
- **Always** pass remote control through a window to avoid pinching lead in door, when using remote inside a vehicle.

**CAUTION****MOVING PARTS ENTANGLEMENT HAZARD**

Failure to observe these instructions could lead to minor or moderate injury.

- **Never** apply load to hook tip or latch. Apply load only to the center of hook.
- **Never** use a hook whose throat opening has increased, or whose tip is bent or twisted.

**CAUTION****CUT AND BURN HAZARD**

Failure to observe these instructions could lead to minor or moderate injury.

**To avoid injury to hands or fingers:**

- **Always** wear heavy leather gloves when handling a wire rope.
- **Never** let wire rope slip through your hands.

**To avoid injury to hands or fingers:**

- **Always** be aware of possible hot surface at winch motor, drum or wire rope during or after winch use.

**NOTICE****AVOID WINCH AND EQUIPMENT DAMAGE**

- **Always** avoid side pulls which can pile up wire rope at one end of the drum. This can damage wire rope or winch.
- **Always** ensure the clutch is fully engaged or disengaged.
- **Never** use winch to tow other vehicles. Shock loads can momentarily exceed capacity of wire rope and winch.
- **Always** use care to not damage the vehicle frame when anchoring to a vehicle during a winching operation.
- **Never** "jog" wire rope under load. Shock loads can momentarily exceed capacity of wire rope and winch.
- **Never** use winch to secure a load during transport.
- **Never** submerge winch in water.
- **Always** store the remote control in a protected, clean, dry area.

### Winch Mounting

- Choose a mounting location that is sufficiently strong enough to withstand the loads you intend to winch.
- Find the diagrams of your winch on the following pages. Refer to them for proper orientation. Only the mounting orientation shown is possible for safe winching operation. All others are improper and inappropriate.
- The wire rope must always spool onto the drum as indicated by the drum rotation decal.
- The use of recommended bolt and lock washer combinations torqued to recommended levels will prevent vibration during operation. Find the diagrams of your winch on the following pages. Refer to them for proper torque levels.

### Electrical Connections

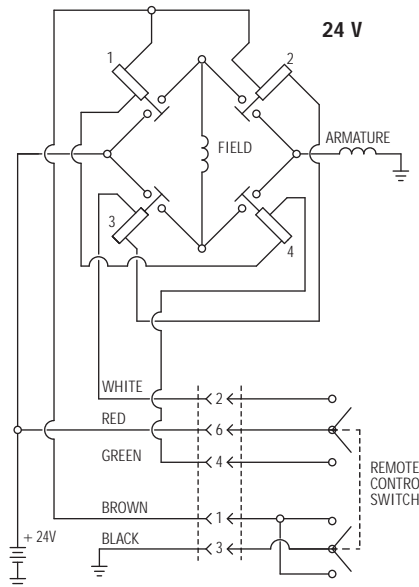
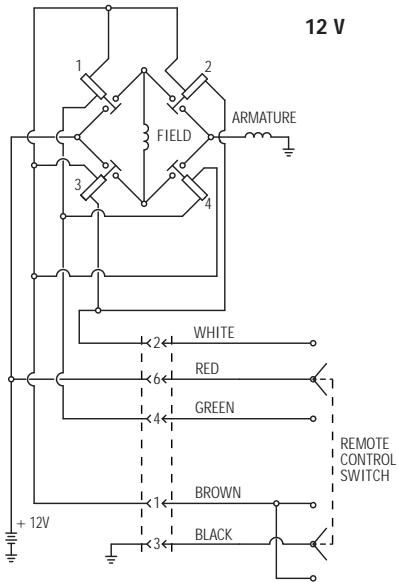
- Make sure to use the insulating boots on the exposed connections to prevent electrical shorting. Route battery connection cables in areas which will not cause them to chafe or cut through the insulation causing a potential short circuit.
- Upon completion of installation, check winch for proper operation.

**! WARNING**

To avoid serious injury or death from electrical fire:

- Never route electrical cables:
  - Across any sharp edges.
  - Through or near moving parts.
  - Near parts that become hot.
- Always insulate and protect all exposed wiring and electrical terminals.
- Always install terminal boots as directed in installation instructions.

#### ELECTRICAL CIRCUIT DIAGRAMS

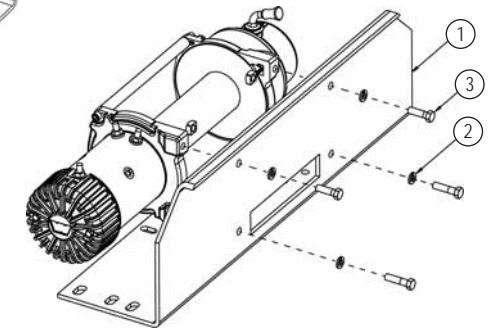
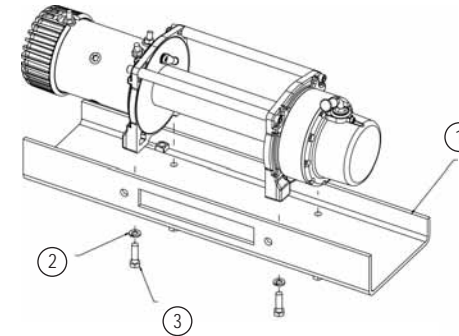
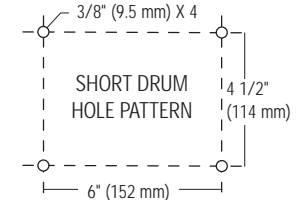
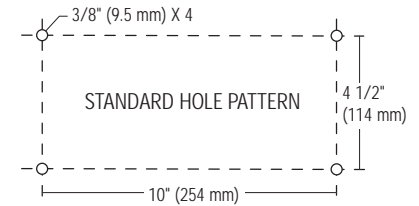


#### Mounting location:

- (1) Smooth and flat, thickness = 1/4" (6.4 mm)
- (2) 3/8" (9.525 mm) lockwasher X 4
- (3) 3/8-16 X 1 1/4" long, grade 5 bolt X 4 torque 30-35 ft. lbs. (41-47Nm)

#### Mounting bolt pattern:

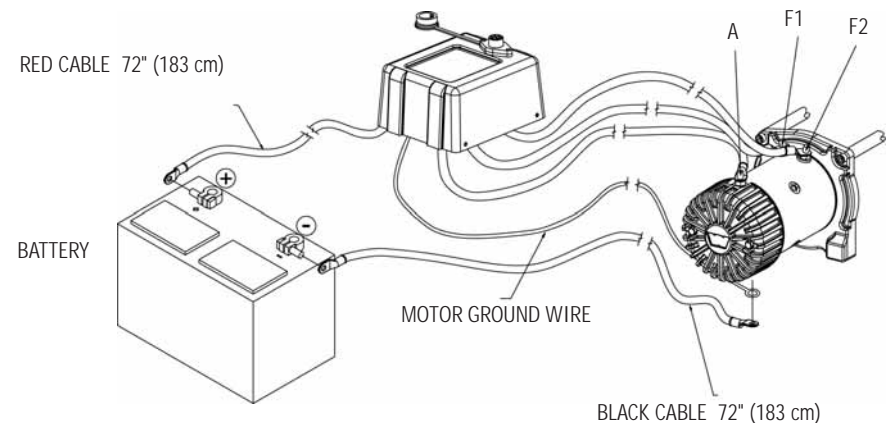
- 10" x 4.5", 254mm x 114.3mm (standard)
- 6" x 4.5", 152mm x 114.3mm (short drum)



### Solenoid Pack Installation

- Mount the control pack according to the instructions included in the WARN mounting system kit. Use the bracket included in the kit.
- To mount the control pack directly to the winch, order control pack bracket part number 26368.
- The control pack mounting fasteners may also be moved to the unused holes in the control pack base plate for additional mounting flexibility.

#### ELECTRICAL CONNECTIONS

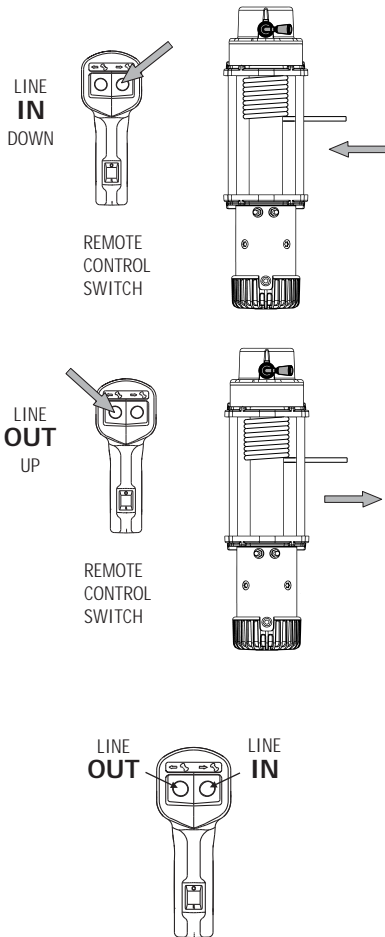


**CAUTION**

**ALWAYS KNOW YOUR WINCH:** Take time to fully read and understand the included Installation and Operations Guide, and Basic Guide to Winching Techniques, in order to understand your winch and the winching operation.

**REMOTE CONTROL SWITCH**

Do not leave the remote plugged into the winch when not in use. Leaving the remote plugged in, may result in a dangerous condition and/or battery drain.



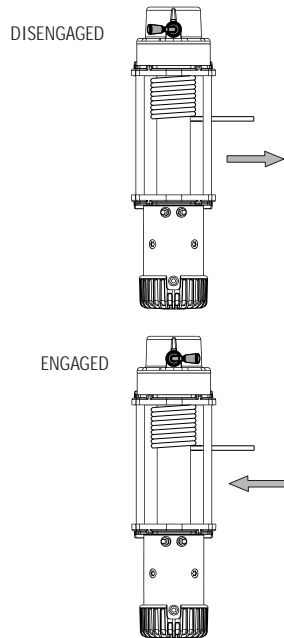
**CLUTCH OPERATION**

When the clutch is engaged the gear train is coupled to the wire rope drum and power may be transferred from the winch motor. When the clutch is in free spool the gear train and wire rope drum are uncoupled allowing the drum to rotate freely. The clutch knob, located on the winch housing opposite the motor, controls the clutch position. To prevent damage, always fully engage or fully disengage the clutch knob.

**CAUTION**

To avoid minor or moderate injury:

- Never engage or disengage clutch if winch is under load, wire rope is in tension or wire rope drum is moving.



**OVERLOADING/OVERHEATING**

This winch is rated for intermittent duty. When the motor approaches stall speed, very rapid heat buildup occurs which may cause motor damage.

Double-line rigging (see Basic Guide to Winching Techniques) will reduce the amperage draw, and reduce heat buildup in the motor. This allows longer continual use.

**CLEANING**

- Do not direct high pressure water (pressure washers, car washes, etc.) directly between the drum support and drum flange or clutch lever.
- Use low pressure water and a soapy rag or sponge to clean the winch.
- Avoid using chemicals that may damage the finish.
- Thoroughly clean salt residue from the winch as soon as possible to minimize corrosion.

**BATTERY RECOMMENDATIONS**

A fully charged battery and good connections are essential to the proper operation of your winch. The minimum requirement for a 12 volt DC battery is 650 Cold Cranking Amperes.

**MAINTENANCE**

- No lubrication is required for the life of the winch, unless the winch is submerged in water. If this occurs, a qualified service center must complete service as soon as possible to prevent corrosion damage. If the control pack is submerged, it must be replaced when the winch is serviced.
- Check battery cables and electrical connections at 90 day intervals to be certain they are clean and tight at all connection points.
- Inspect the wire rope before and after each winching operation. When damaged, replace with the size specified in the Replacement Parts List.
- The wire rope must always spool onto the drum as indicated by the drum rotation decal on the winch.

**WINCHING**

**WARNING**

To avoid severe injury or death:

- Never operate winch with less than 5 wraps of rope around the drum. Rope could come loose from the drum, as the rope attachment to the drum is not designed to hold a load.

**CAUTION**


To avoid minor or moderate injury:

- Always wear heavy leather gloves when handling a wire rope.

**OPERATOR'S SAFE WORKING STATIONS**

The operator should always operate the winch in a safe position while pulling a load. The safe areas are perpendicular to the wire rope or in the vehicle with the hood up (if winch is mounted on front of vehicle). This will help prevent the wire rope from striking the operator if it fails under load. Operate the winch, when possible, at the end of the remote control length. The operator must be at least 8 ft (2.44m) from the winch while operating. This will prevent entanglement with the fairlead and keep the operator out of harms way during winch load pulling. **Never work around wire rope while under load.**

## STRETCHING WIRE ROPE



## WARNING

**To avoid severe injury or death:**

- Always keep hands clear of wire rope, hook loop, hook and fairlead opening during installation, operation, and when spooling in or out.
- Always use extreme caution when handling hook and wire rope during spooling operations.
- Always use supplied hook strap whenever spooling wire rope in or out, during installation or operation to avoid injury to hands or fingers.
- Never operate winch with less than 5 wraps of rope around the drum. Rope could come loose from the drum, as the rope attachment to the drum is not designed to hold a load.

The life of a wire rope is directly related to the use and care it receives. During its first use, a new wire rope must be spooled onto its drum under a load of at least 1000 lbs. (454 kgs). Use the following instructions to properly stretch the wire rope onto the winch drum.

1) Choose a **FLAT AND LEVEL** location that is large enough to run out the entire length of wire rope.

2) Turn the clutch lever on the winch to the "Free Spool" position. Spool out the wire rope to the last 5 wraps on the drum. Once the wire rope is spooled out, turn the clutch lever on the winch to the "Engaged" position.

3) Attach the hook end of the rope to a suitable anchor point and back the vehicle away from the anchor point until there is very little slack in the wire rope. Before getting out of the vehicle, set the parking brake, place the vehicle in gear or park and turn the vehicle off.

4) Connect the remote control to the winch. Standing approximately 6 ft away from the winch, power in the winch until all of the slack is wound onto the winch drum. Disconnect the remote control from the winch. Hold tension on the wire rope with one hand; carefully push the wire rope to the side of the drum the wire rope is attached to so there are no gaps between each coil on the drum. Be sure to check that the wire rope is winding off of the bottom of the drum, not the top, or the automatic load holding brake will not function properly. (If the wire rope is winding off the top you have powered the winch "out" instead of "in" on the remote control).

5) The following steps should be done using two people for proper safety. If you attempt to tension your wire rope alone be sure to always engage the parking brake, place the transmission in gear and turn the vehicle off every time you exit the vehicle to inspect the winch wire rope. Never exit the vehicle with a load on the winch wire rope. Tensioning the wire rope is critical to ensure a long product life. Tensioning the wire rope will prevent outer layers of wire rope from pinching and deforming the inner layers.

6) Use care to evenly wrap each layer to prevent damage to the rope.

7) Pass the remote control through the driver's window for the driver of the vehicle to operate. Instruct your assistant to stand to the side of the vehicle and away from the winch wire rope. Your assistant should signal you if the wire rope is winding correctly by watching it move across the fairlead as the wire rope is powered in. Start the vehicle and place the transmission in neutral. Release the parking brake while applying moderate brake pedal pressure. Press power in on the remote control switch. After winching in for approximately 6 ft, stop winching. Slowly let up off of the brake pedal and then apply the parking brake. This will ensure that there is no load on the winch rope. Then place the transmission in park or gear and turn the vehicle off. Exit the vehicle and inspect the winch to make sure that the wire rope is being evenly wound onto the winch drum and not sinking into the lower layer. If the wire rope is sinking, power the wire rope out and repeat this step from the beginning with more brake pedal pressure.

8) When you are convinced the wire rope is winding onto the winch drum properly, repeat step 6 until the vehicle is within 6 ft of the winch anchor. Once within 6 ft, slowly let up off of the brake pedal and then apply the parking brake. This will ensure that there is no load on the winch wire rope. Then place the transmission in park or in gear and turn the vehicle off. Exit the vehicle. Disconnect the hook from the anchor. While holding onto the supplied hook strap, hold tension on the winch rope and slowly power in the winch by "pulsing" the power in on the remote control until the hook is within 3 ft of the fairlead. Stop winching in and attach the hook to a suitable anchor point on the vehicle. **DO NOT POWER THE HOOK INTO THE FAIRLEAD.** This could cause damage to the fairlead. Once the hook is suitably attached to the vehicle, power in the remaining slack in the winch rope by "pulsing" the power in on the remote until there is minimal slack in the winch wire rope.

## SPOOLING

## SPOOLING OUT

• Freespooling is generally the quickest and easiest way to spool out wire rope. Before freespooling wire rope out from the winch, power out enough rope to remove any tension the wire rope may be under. Disengage the clutch. Now freespool by manually spooling out enough wire rope for the winching operation. Always leave at least 5 wraps on the drum.

## SPOOLING IN UNDER LOAD

- Never exceed winch's rated line pull.
- Power in the wire rope evenly and tightly on the drum. This prevents the outer wire wraps from drawing into the inner wraps, binding, and damaging the wire rope.
- Avoid shock loads when spooling, by using the control switch intermittently to take up wire rope slack. Shock loads can momentarily far exceed the winch and wire rope ratings.

## SPOOLING IN UNDER NO LOAD

- **Assisted** - Have your assistant hold the hook with the hook strap putting as much constant tension on the wire rope as possible. While keeping tension, the assistant should walk toward the winch while you operate the control switch spooling in the wire rope. **Release the switch when the hook is a minimum of 8 ft [ 2.44 m ] from the fairlead opening.** Spool in the remainder for storage.
- **Unassisted** - Arrange the wire rope to be spooled so it will not kink or tangle when spooled. Be sure any wire rope on the drum is tightly and evenly layered. Spool enough wire rope to complete the next full layer on the drum. **Tighten and straighten the layer. Repeat process until the hook is a minimum of 8 ft [ 2.44 m ] from the fairlead opening.** Spool in the remainder for storage.

## SPOOLING REMAINDER FOR STORAGE

- Secure the hook to a suitable anchor point near the winch. Carefully power in the remaining wire rope, jogging the control switch to take up the last of the slack. Be careful not to over tighten or damage may occur to the wire rope or anchor point.

## SOUND EMISSIONS

- The winch is designed so that the sound emissions do not exceed 70 dBA from the operator's station. The operator must be at least 8 ft. (2.44m) from the winch while operating. If the winch is exceeding 70 dBA from the operator's station, have it inspected at an authorized service center.



Les directives suivantes comprennent des indications intitulées AVERTISSEMENT, ATTENTION, AVIS et REMARQUE. Chacune a un objectif bien précis : AVERTISSEMENT présente des consignes de sécurité soulignant un danger potentiel qui, s'il n'est pas évité, peut entraîner des blessures graves ou la mort. ATTENTION comprend des consignes de sécurité signalant un danger potentiel qui, s'il n'est pas évité, peut entraîner des blessures légères ou modérées. ATTENTION sert aussi à signaler une utilisation dangereuse. ATTENTION et AVERTISSEMENT identifient un danger, indiquent comment l'éviter et montrent ses conséquences possibles si on l'ignore. AVIS présente des consignes visant à éviter les dommages matériels. REMARQUE donne des renseignements additionnels qui aident à accomplir une procédure. **TRAVAILLEZ PRUDEMMENT!**

<b>AVERTISSEMENT</b>	
<p><b>RISQUES ASSOCIÉS À DES PRODUITS CHIMIQUES ET RISQUE D'INCENDIE</b></p> <p><b>Le non-respect des instructions peut entraîner des blessures graves, voire mortelles.</b></p> <ul style="list-style-type: none"> <li>• Toujours retirer les bijoux et porter des lunettes de sécurité.</li> <li>• Ne jamais se pencher au-dessus de la batterie en procédant aux connexions.</li> <li>• Avant de percer, toujours s'assurer que la zone ne contient pas de conduites de carburant, le réservoir de carburant, de conduites de frein, de câblage électrique, etc.</li> <li>• Ne jamais faire passer des câbles électriques:             <ul style="list-style-type: none"> <li>- Sur des bords tranchants.</li> <li>- Par des pièces mobiles ou à proximité.</li> <li>- À proximité de pièces pouvant devenir chaudes.</li> </ul> </li> <li>• Toujours isoler et protéger tous les fils et bornes électriques exposés.</li> <li>• Toujours installer les capuchons de borne de la manière indiquée dans les instructions d'installation.</li> </ul>	

<b>AVERTISSEMENT</b>		
<p><b>DANGER DE HAPPEMENT PAR DES PIÈCES MOBILES</b></p> <p><b>Le non-respect des instructions peut entraîner des blessures graves, voire mortelles.</b></p> <p><b>Pour éviter de se blesser les mains ou les doigts.</b></p> <ul style="list-style-type: none"> <li>• Toujours garder les mains éloignées du câble, de la boucle du crochet, du crochet et de l'ouverture du guide-câble durant l'installation et l'utilisation du treuil et l'enroulement ou le déroulement du câble.</li> <li>• Faire toujours très attention durant la manipulation du crochet et du câble pendant les manœuvres de déroulement.</li> <li>• Toujours utiliser le cordon du crochet fourni pour enrouler ou dérouler le câble, durant l'installation ou l'utilisation pour éviter de se blesser les mains ou les doigts.</li> </ul>		

<b>AVERTISSEMENT</b>	
<p><b>DANGER DE CHUTE OU D'ÉCRASEMENT</b></p> <p><b>Le non-respect des instructions peut entraîner des blessures graves, voire mortelles.</b></p> <ul style="list-style-type: none"> <li>• Ne jamais utiliser le treuil avec moins de 5 spires de câble enroulées autour du tambour, car le câble pourrait se dérouler du tambour, étant donné que l'ancrage du câble n'est pas conçu pour retenir une charge.</li> <li>• Ne jamais utiliser comme palan aérien ou pour suspendre une charge.</li> <li>• Ne jamais utiliser pour soulever ou transporter des personnes.</li> </ul>	

## ATTENTION

### DANGER DE HAPPEMENT PAR DES PIÈCES MOBILES

Le non-respect des instructions peut entraîner des blessures mineures ou modérées.

#### Consignes de sécurité générales :

- Toujours se familiariser avec le treuil : Prendre le temps de bien lire et comprendre le manuel d'installation et d'utilisation ainsi que le manuel de base des techniques de treuillage inclus avec le treuil afin de se familiariser avec l'appareil et son fonctionnement.
- Les personnes âgées de moins de 16 ans ne doivent jamais faire fonctionner ce treuil.
- Ne jamais faire fonctionner l'appareil sous l'effet de drogues, de l'alcool ou de médicaments.
- Ne jamais excéder la capacité nominale du treuil ou du câble d'acier. Un câblage double avec poulie ouvrante permet de réduire la charge subie par le treuil.

#### Consignes de sécurité se rapportant à l'installation :

- Toujours choisir une surface de montage suffisamment résistante pour supporter la capacité de traction maximale du treuil.
- Toujours utiliser des interrupteurs, télécommandes, accessoires et composants d'installation homologués par le fabricant.
- Toujours utiliser un matériel de catégorie 5 ou supérieur, ne jamais souder les boulons ni utiliser des boulons plus longs que ceux fournis par le fabricant.
- Toujours achever le montage du treuil et la fixation du crochet à sa boucle avant d'effectuer le câblage du treuil durant l'installation.
- Toujours positionner le guide-câble avec l'étiquette d'AVERTISSEMENT sur le dessus.
- Toujours enrouler le câble sur le tambour tel qu'indiqué par l'autocollant de rotation apposé sur le treuil. Nécessaire pour que le frein automatique puisse fonctionner (le cas échéant) et pour assurer une installation dans le bon sens.
- Toujours étirer au préalable le câble d'acier et l'enrouler sous charge avant de l'utiliser. Un câble enroulé de manière serrée permet de réduire le risque qu'il coince, c'est-à-dire que si le câble s'enroule de façon lâche, il peut s'enchevêtrer et s'endommager lui-même.

## ATTENTION

### DANGER DE HAPPEMENT PAR DES PIÈCES MOBILES

Le non-respect des instructions peut entraîner des blessures mineures ou modérées.

#### Consignes de sécurité concernant le treuillage :

- Toujours inspecter l'installation du treuil et l'état du câble métallique et du crochet avant de faire fonctionner le treuil. Tout câble effiloché, tordu ou endommagé doit être remplacé immédiatement. Toute installation de treuil desserrée ou endommagée doit être corrigée immédiatement. Remplacer immédiatement le crochet s'il est endommagé, courbé ou tordu.
- Ne jamais laisser la télécommande branchée sur le treuil en mode de déroulement en roue libre, de câblage ou de repos.
- Ne jamais accrocher le câble à lui-même. Cela l'endommagerait. Toujours utiliser une chaîne ou un câble à nœud coulant, ou bien une protection de tronc d'arbre sur le point d'ancrage.
- Avant de commencer le treuillage, s'assurer que tous les obstacles potentiels sont écartés.
- Toujours prendre le temps de bien procéder au câblage avant d'utiliser le treuil.
- Toujours s'assurer que le point d'ancrage choisi peut supporter la charge et que le cordon ou l'élingue ne glisse pas.
- Ne jamais essayer d'embrayer ou de débrayer si le treuil est sous charge, si le câble est en tension ou si le tambour est en train de tourner.
- Toujours dérouler autant de câble que possible avant de procéder au câblage. Utiliser une ligne double ou choisir un point d'ancrage distant.
- Toujours se tenir à l'écart du câble et de la charge durant l'utilisation.
- Ne jamais toucher le câble ou le crochet lorsque le câble est tendu ou sous charge.
- Ne jamais toucher le câble ou le crochet lorsqu'une autre personne est à l'interrupteur de commande ou durant le fonctionnement du treuil.
- Ne jamais toucher le câble ou le crochet lorsque la télécommande est branchée sur le treuil.

## ATTENTION

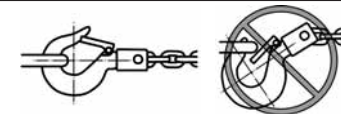
### DANGER DE HAPPEMENT PAR DES PIÈCES MOBILES

Le non-respect des instructions peut entraîner des blessures mineures ou modérées.

#### Consignes de sécurité concernant le treuillage :

- Toujours exiger de l'opérateur et des personnes présentes d'être conscients de la stabilité du véhicule ou de la charge.
- Toujours garder la télécommande à l'écart du tambour, du câble et du câblage. S'assurer qu'il n'y a pas de fissures, de points de pincement, de fils effilochés ou de connexions desserrées. Remplacer en cas de dommages.
- Si l'on manie la télécommande de l'intérieur d'un véhicule, toujours faire passer la télécommande par la fenêtre pour éviter de pincer le fil.

## ATTENTION



### DANGER DE HAPPEMENT PAR DES PIÈCES MOBILES

Le non-respect des instructions peut entraîner des blessures mineures ou modérées.

- Ne jamais appliquer la charge sur l'extrémité du crochet ou le loquet. Appliquer la charge au centre du crochet seulement.
- Ne jamais utiliser un crochet dont la gorge s'est élargie ou dont l'extrémité est courbée ou tordue.

## AVIS

### ÉVITER D'ENDOMMAGER LE TREUIL ET L'ÉQUIPEMENT

- Toujours éviter de tirer continuellement sur le côté, ce qui a pour effet d'empiler le câble sur l'une des extrémités du tambour. Cela peut endommager le câble ou le treuil.
- Toujours s'assurer d'avoir complètement embrayé ou complètement débrayé.
- Ne jamais se servir du treuil pour remorquer d'autres véhicules. Les charges de choc peuvent momentanément dépasser de loin la capacité du treuil et du câble.
- Toujours faire attention à ne pas endommager le cadre si l'on décide d'arrimer le véhicule pour pouvoir travailler avec le treuil.
- Ne jamais « secouer » le câble sous charge. Les charges de choc peuvent momentanément dépasser de loin la capacité du treuil et du câble.
- Ne jamais se servir du treuil pour maintenir une charge pendant le transport.
- Ne jamais submerger le treuil dans l'eau.
- Toujours ranger la télécommande dans un endroit sûr, propre et sec.

## ATTENTION



### RISQUE DE COUPURE ET DE BRÛLURE

Le non-respect des instructions peut entraîner des blessures mineures ou modérées.

#### Pour éviter de se blesser les mains ou les doigts :

- Toujours porter des gants de cuir résistants durant la manipulation du câble d'acier.
- Ne jamais laisser le câble glisser dans les mains.

#### Pour éviter de se blesser les mains ou les doigts :

- Toujours penser aux surfaces chaudes au niveau du moteur du treuil, du tambour ou du câble durant ou après l'utilisation du treuil.



### Montage du treuil

- Choisir une surface de montage suffisamment résistante pour supporter les charges qui seront halées.
- **Trouver dans les pages suivantes les schémas du treuil et les étudier afin de l'orienter convenablement.** Seule l'orientation de montage indiquée est recommandée pour utiliser le treuil en toute sécurité. Toute autre orientation du treuil est inadaptée et ne doit pas être utilisée.
- Le câble doit toujours être enroulé sur le tambour comme indiqué par l'autocollant de rotation du tambour.
- Utiliser les boulons et les rondelles d'arrêt recommandés, ainsi que les couples de serrage recommandés pour éviter les vibrations du treuil pendant son fonctionnement. **Trouver les schémas du treuil dans les pages suivantes et s'y reporter pour connaître les couples de serrage convenables.**

### Raccordements électriques

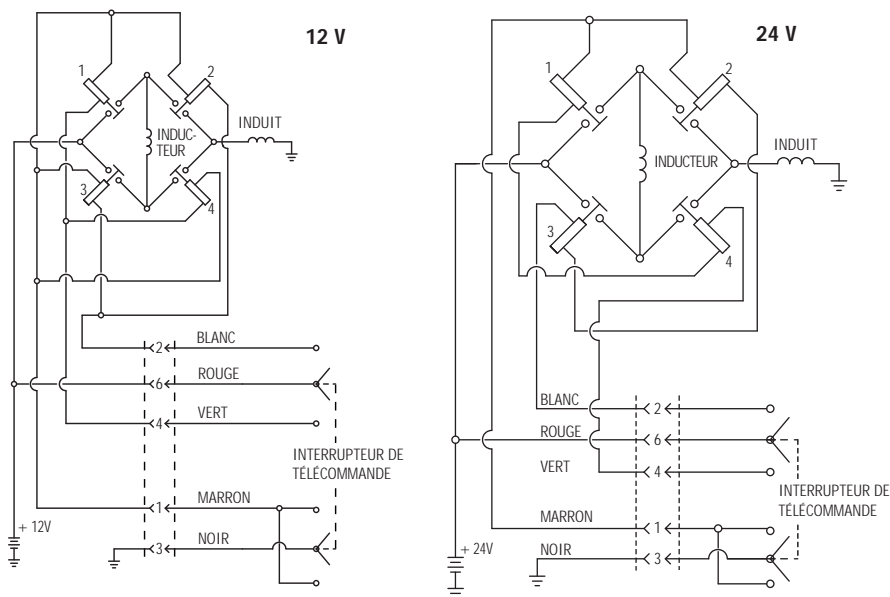
- Veiller à utiliser les capuchons d'isolation sur les connexions exposées pour éviter les courts-circuits électriques. Les fils de batterie doivent passer par des endroits qui ne risquent pas d'être percés par l'isolation, créant des risques de court-circuit.
- Une fois l'installation terminée, vérifier que le treuil fonctionne correctement.

**⚠ AVERTISSEMENT**

**Pour éviter tout risque de blessures graves ou mortelles suite à un feu électrique :**

- **Ne jamais faire passer des câbles électriques :**
  - Sur des bords tranchants.
  - Par des pièces mobiles ou à proximité.
  - À proximité de pièces pouvant devenir chaudes.
- **Toujours isoler et protéger tous les fils et bornes électriques exposés.**
- **Toujours installer les capuchons de borne de la manière indiquée dans les instructions d'installation.**

### SCHEMA DES CIRCUITS ÉLECTRIQUES

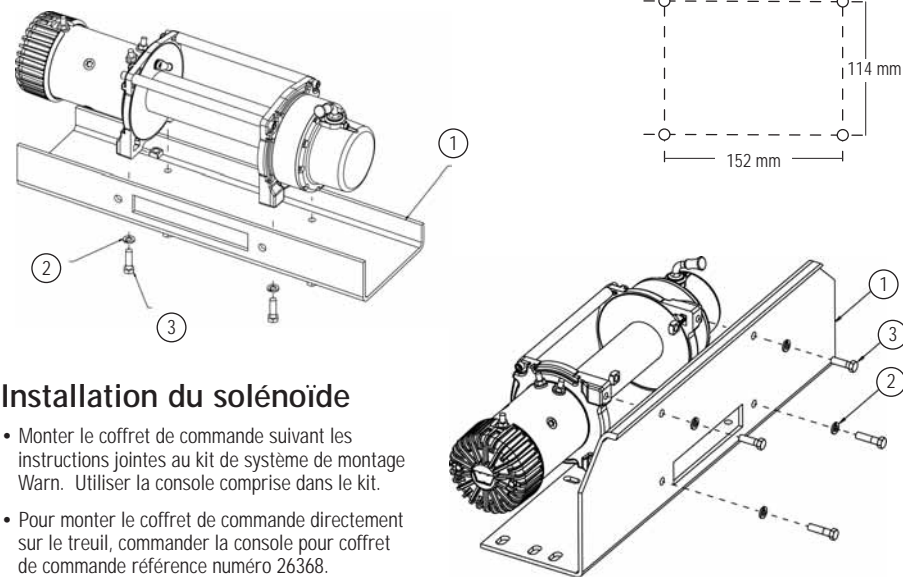
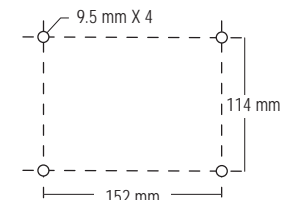
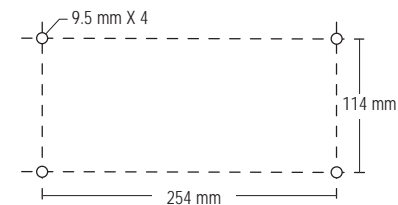


### Emplacement du montage :

- (1) Lisse et plat, épaisseur 6,4 mm
- (2) Rondelle d'arrêt 9,525 mm (quantité = 4)
- (3) Boulon catégorie 5 de 3/8-16 x 1 1/4 po de long (quantité = 4), couple de serrage 41 à 47 Nm

### Entraxe de fixation :

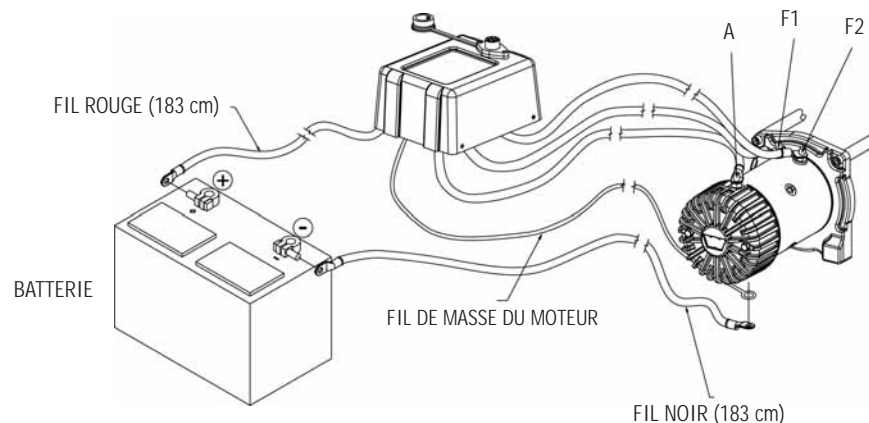
254 mm x 114 mm  
152 mm x 114 mm



### Installation du solénoïde

- Monter le coffret de commande suivant les instructions jointes au kit de système de montage Warn. Utiliser la console comprise dans le kit.
- Pour monter le coffret de commande directement sur le treuil, commander la console pour coffret de commande référence numéro 26368.
- Pour plus de flexibilité dans le montage, on peut aussi déplacer les fixations de montage du coffret de commande aux trous inutilisés de la plaque de base du coffret.

### RACCORDEMENTS ÉLECTRIQUES

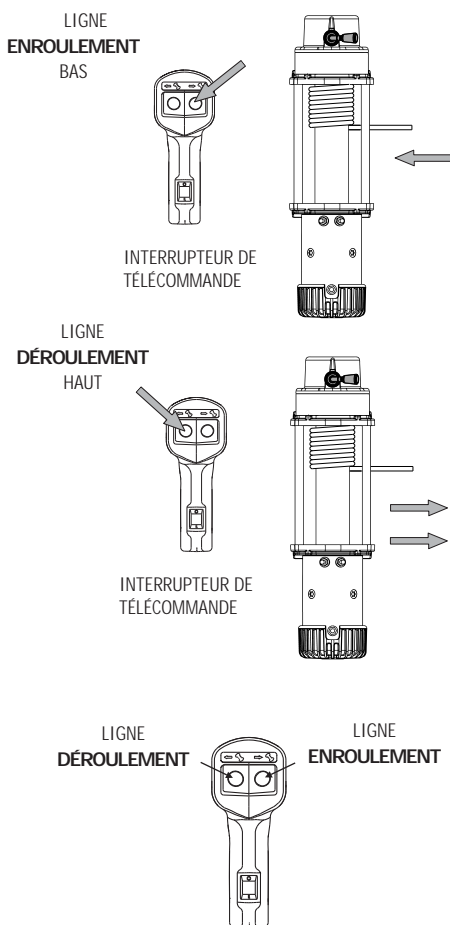


## ATTENTION

**TOUJOURS SE FAMILIARISER AVEC LE TREUIL :** Prendre le temps de bien lire et comprendre le manuel d'installation et d'utilisation ainsi que le manuel de base des techniques de treuillage inclus avec le treuil afin de se familiariser avec l'appareil et son fonctionnement.

### INTERRUPTEUR DE LA TÉLÉCOMMANDE

Ne pas laisser la télécommande branchée dans le treuil lorsque celui-ci n'est pas en usage. Une télécommande qui reste branchée risque de créer des conditions dangereuses et de vider la batterie.



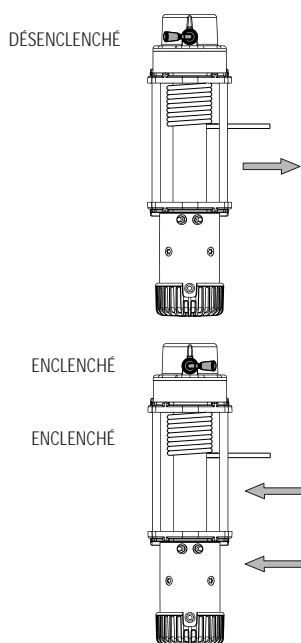
### FONCTIONNEMENT DE L'EMBRAYAGE

Lorsque l'embrayage est en prise, le train d'engrenages est couplé au tambour du câble et l'entraînement du moteur peut alors être transféré. Lorsque l'embrayage est en roue libre, le train d'engrenages et le tambour ne sont plus solidaires, ce qui permet au tambour de tourner librement. La poignée d'embrayage, située sur le carter du treuil en face du moteur, permet de commander la position de l'embrayage. Pour éviter tout dommage, tourner complètement le bouton d'embrayage dans l'une ou l'autre position.

## ATTENTION

Pour éviter des blessures mineures ou modérées :

- Ne jamais essayer d'embrayer ou de débrayer si le treuil est sous charge, si le câble est en tension ou si le tambour est en train de tourner.



### SURCHARGE/SURCHAUFFE

Ce treuil est prévu pour un usage intermittent. Lorsque le moteur est sur le point de caler, une accumulation rapide de chaleur se produit et peut endommager le moteur.

Le câblage double (voir le Manuel de base des techniques de treuillage) permet de réduire le débit en ampères et de réduire ainsi l'accumulation de chaleur dans le moteur. Cela permet une utilisation continue prolongée.

### NETTOYAGE

- Ne pas diriger un jet d'eau haute pression (laveuses haute pression, lave-auto, etc.) directement entre le support et le rebord du tambour ou le levier d'embrayage.
- Nettoyer le treuil à l'aide d'eau sous faible pression et d'une éponge ou d'un chiffon savonneux.
- Ne pas utiliser de produits chimiques qui pourraient endommager la finition.
- Nettoyer à fond, aussi tôt que possible, tout résidu de sel adhérent au treuil pour minimiser la corrosion.

### RECOMMANDATIONS CONCERNANT LA BATTERIE

La charge de la batterie et la qualité des connexions sont essentielles pour que le treuil fonctionne correctement. La capacité minimum spécifiée pour une batterie de 12 volts est de 650 A (démarrage à froid).

### ENTRETIEN

- Le treuil ne nécessite aucune lubrification pendant sa durée de vie, sauf s'il est immergé dans l'eau. Dans un tel cas, une intervention immédiate s'impose, par un centre de service qualifié, pour éviter tout dégât causé par la corrosion. Si le coffret de commande est immergé, il doit être remplacé au moment de l'intervention de service sur le treuil.
- Vérifier les fils de batterie et les connexions électriques tous les 90 jours pour s'assurer qu'ils sont propres et correctement serrés à tous les points de connexion.
- Inspectez le câble avant et après chaque utilisation du treuil. S'il est endommagé, remplacez-le par un câble de calibre conforme à la liste des pièces de rechange.
- Le câble doit toujours s'enrouler sur le tambour dans le sens indiqué par l'étiquette de rotation du tambour apposée sur le treuil.

### UTILISATION DU TREUIL

## AVERTISSEMENT

Pour éviter des blessures graves ou mortelles :



- Ne jamais utiliser le treuil avec moins de 5 spires de câble enroulées autour du tambour car le câble pourrait se dérouler du tambour.

## ATTENTION

Pour éviter des blessures mineures ou modérées :



- Toujours porter des gants de cuir résistants durant la manipulation du câble d'acier.


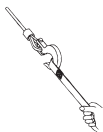
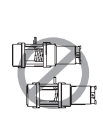
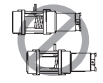
### SÉCURITÉ DU MANIPULATEUR

Le manipulateur doit toujours commander le treuil à partir d'un endroit sûr pendant le déplacement d'une charge. Les emplacements sûrs sont perpendiculaires au câble ou à l'intérieur du véhicule, capot avant ouvert (si le treuil est monté à l'avant d'un véhicule). Cette précaution permet d'éviter que le câble ne vienne heurter le manipulateur en cas de rupture sous charge. Dans la mesure du possible, actionner le treuil à partir de l'extrémité du fil de télécommande. Le manipulateur doit demeurer à une distance minimale de 2,5 m du treuil pendant son fonctionnement. Cela évitera tout risque d'enchevêtrement avec le guide-câble et écartera le manipulateur de la zone de danger pendant la traction de la charge. **Ne jamais travailler à proximité du câble lorsque le treuil est sous charge.**

## ÉTIREMENT INITIAL DU CÂBLE


**AVERTISSEMENT**

Pour éviter des blessures graves ou mortelles :

- 
 • Toujours garder les mains éloignées du câble, de la boucle du crochet, du crochet et de l'ouverture du guide-câble durant l'installation et l'utilisation du treuil et l'enroulement ou le déroulement du câble.
- 
 • Faire toujours très attention durant la manipulation du crochet et du câble pendant les manœuvres de déroulement.
- 
 • Toujours utiliser le cordon du crochet fourni pour enrouler ou dérouler le câble, durant l'installation ou l'utilisation pour éviter de se blesser les mains ou les doigts.
- 
 • Ne jamais utiliser le treuil avec moins de 5 spires de câble enroulées autour du tambour car le câble pourrait se dérouler du tambour.

La durée de vie du câble est directement liée à son utilisation et à l'entretien qu'il reçoit. Lors de sa première utilisation, un câble neuf doit être enroulé autour de son tambour sous une charge de 454 kg ou plus. Suivre les instructions ci-dessous pour étirer correctement le câble sur le tambour du treuil.

1) Choisir un endroit **PLAT** suffisamment grand pour pouvoir dérouler toute la longueur du câble.

2) Mettre le levier d'embrayage du treuil en position de déroulement en roue libre. Dérouler le câble en laissant 5 spires de câble enroulées autour du tambour. Une fois le câble déroulé, mettre le levier d'embrayage du treuil en position d'embrayage.

3) Attacher le crochet du câble à un point d'ancrage adéquat et éloigner le véhicule du point d'ancrage en marche arrière jusqu'à ce que le câble soit presque tendu. Avant de quitter le véhicule, serrer le frein à main, mettre le véhicule en prise ou en stationnement et couper le contact.

4) Connecter la télécommande au treuil. Se tenir à environ 2 m du treuil et l'actionner de manière à enrouler le câble jusqu'à éliminer complètement le mou. Déconnecter la télécommande du treuil. Maintenir la tension sur le câble en tirant d'une main; pousser avec précaution le câble vers le côté du tambour auquel le câble est attaché de sorte qu'il n'y ait pas d'espace entre chaque spire sur le tambour. S'assurer que le câble s'enroule par le bas du tambour et non par le haut, sinon le frein d'arrêt d'automatique de la charge ne fonctionnera pas correctement. (Si le câble s'est enroulé par le haut, c'est qu'on a activé le treuil en mode de déroulement plutôt que d'enroulement à l'aide de la télécommande).

5) Les étapes suivantes doivent être effectuées par deux personnes pour plus de sécurité. Si l'on essaie de tendre le câble tout seul, s'assurer de toujours serrer le frein à main, mettre la transmission en prise et couper le contact chaque fois que l'on quitte le véhicule pour inspecter le câble du treuil. Ne jamais quitter le véhicule lorsque le câble est sous charge. Le tensionnement du câble est essentiel si l'on veut assurer la durée de vie utile du produit. Le tensionnement du câble empêche que les couches extérieures du câble de coincer et déformer les couches intérieures.

6) Prendre soin d'enrouler uniformément chaque couche pour éviter d'endommager le câble.

7) Passer la télécommande par la fenêtre du conducteur à celui-ci pour qu'il puisse s'en servir. Demander à l'assistant de se tenir à côté du véhicule, loin du câble du treuil. L'assistant doit signaler si le câble s'enroule correctement en observant son déplacement sur le guide-câble pendant l'enroulement. Démarrer le véhicule et le mettre au point mort. Relâcher le frein à main tout en appuyant légèrement sur la pédale de frein. Appuyer sur la touche « Power In » de la télécommande. Arrêter le treuillage après environ 2 m. Relâcher lentement la pédale de frein puis serrer le frein à main. Ceci permet de s'assurer qu'il n'y a aucune charge sur le câble du treuil. Mettre ensuite la transmission en prise et couper le contact. Quitter le véhicule et inspecter le câble du treuil pour s'assurer qu'il s'enroule uniformément sur le tambour du treuil et qu'il ne s'enfonce pas dans la couche inférieure. Si le câble s'enfonce, dérouler le câble et répéter cette étape à partir du début en mettant plus de pression sur la pédale de frein.

8) Une fois qu'on s'est assuré que le câble s'enroule correctement sur le tambour, répéter l'étape 6 jusqu'à ce que le véhicule soit à moins de 2 m du point d'ancrage du treuil. Une fois à cette distance, relâcher lentement la pédale de frein puis serrer le frein à main. Ceci permet de s'assurer qu'il n'y a aucune charge sur le câble du treuil. Mettre ensuite la transmission en prise et couper le contact. Quitter le véhicule. Décrocher le câble du point d'ancrage. Tout en tenant la sangle de crochet fournie, maintenir la tension sur le câble du treuil et enrouler lentement le treuil avec de petites pressions sur la télécommande jusqu'à ce que le crochet soit à moins de 1 m du guide-câble. Cesser l'enroulement et fixer le crochet à un point d'ancrage approprié sur le véhicule. **NE PAS ENROULER LE CROCHET DANS LE GUIDE-CÂBLE.** Cela pourrait endommager le guide-câble. Une fois le crochet fixé correctement au véhicule, enrouler le reste du câble avec de petites pressions sur la télécommande jusqu'à ce qu'il y ait un minimum de mou sur le câble du treuil.

## DÉROULEMENT ET ENROULEMENT

### DÉROULEMENT DU CÂBLE

- Le déroulement en roue libre est généralement la manière la plus rapide et la plus simple de dérouler le câble. Avant de dérouler le câble du treuil en roue libre, dérouler un peu de câble à l'aide du moteur pour en retirer toute tension éventuelle. Désenclencher l'embrayage. Décraboter maintenant en déroulant manuellement une quantité suffisante de câble pour pouvoir travailler avec le treuil. Il doit toujours rester au moins 5 spires de câble autour du tambour.

### ENROULEMENT SOUS CHARGE

- Ne dépassez jamais l'effort en 1ère couche du treuil.
- Enrouler le câble avec le moteur en veillant à ce qu'il soit bien serré autour du tambour et qu'il s'enroule de manière régulière. Cela permet d'éviter que les couches supérieures ne viennent s'intercaler entre les spires inférieures, ce qui peut bloquer le câble et l'endommager.
- Enrouler le câble en évitant les à-coups; utiliser la télécommande de manière intermittente pour reprendre tout mou qui se formerait dans le câble. Les chocs brutaux peuvent largement dépasser les capacités du treuil et du câble sur de courtes durées.

## ENROULEMENT À VIDE

- **Assisté** - Demander à un assistant de tenir le crochet à l'aide de la sangle, en appliquant une tension constante et aussi grande que possible sur le câble. Tout en maintenant cette tension, l'assistant doit marcher en direction du treuil pendant que l'on actionne la commande d'enroulement du câble motorisé. **Relâcher l'interrupteur lorsque le crochet se trouve à une distance minimum de 2,4 m de l'ouverture du guide-câble.** Enrouler le reste du câble pour le ranger.
- **Non assisté** - Disposer le câble à enrouler de manière à ce qu'il ne se plie pas ou ne s'emmêle pas pendant l'enroulement. S'assurer que le câble déjà sur le tambour est bien serré et que les couches de câble sont régulières. Enrouler suffisamment de câble pour compléter la couche suivante sur le tambour. **Serrer et redresser la couche au fur et à mesure qu'on l'enroule. Refaire de même jusqu'à ce que le crochet se trouve à au moins 2,4 m du guide-câble.** Enrouler le reste du câble pour le ranger.

## ENROULER LE RESTE DU CÂBLE POUR LE RANGER




- Placer le crochet sur un point d'ancrage adéquat à proximité du treuil. Enrouler le reste du câble avec précaution, en utilisant l'interrupteur de commande pour reprendre le mou dans le câble. Veiller à ne pas trop serrer le câble pour éviter de l'endommager ou d'abîmer le point d'ancrage.

## NIVEAU DE BRUIT


- Ce treuil est conçu de manière à ce que le niveau de bruit émis ne dépasse pas 70 dBA à l'endroit où se trouve le manipulateur. Celui-ci doit demeurer à une distance minimale de 2,4 m du treuil pendant son fonctionnement. Faire inspecter le treuil dans un centre de service agréé si son bruit dépasse 70 dBA au niveau du manipulateur.



In diesem Handbuch befinden sich **WARNHINWEISE**, **VORSICHTSMASSNAHMEN**, **WICHTIGE ANMERKUNGEN** und **HINWEISE**. Jede Textart hat einen bestimmten Zweck. **WARNHINWEISE** sind Sicherheitshinweise, die auf eine möglicherweise gefährliche Situation hinweisen, die zu schweren oder tödlichen Verletzungen führen kann, wenn sie nicht vermieden wird. **VORSICHTSMASSNAHMEN** sind Sicherheitshinweise, die auf eine möglicherweise gefährliche Situation hinweisen, die zu leichten oder mäßigen Verletzungen führen kann, wenn sie nicht vermieden wird. Eine **VORSICHTSMASSNAHME** kann auch auf unsichere Praktiken hinweisen. **VORSICHTSMASSNAHMEN** und **WARNHINWEISE** kennzeichnen die Gefahr, weisen auf Möglichkeiten zur Vermeidung der Gefahr hin und geben Aufschluss über die möglichen Folgen, wenn diese Gefahr nicht vermieden wird. Das Signalwort **WICHTIG** weist auf Anmerkungen mit Vorgehensweisen zur Vermeidung von Sachschäden hin. **HINWEISE** liefern zusätzliche Informationen, die Ihnen helfen, ein bestimmtes Verfahren durchzuführen. **BITTE UNBEDINGT ALLE SICHERHEITSMASSNAHMEN BEACHTEN!**

 <b>ACHTUNG</b>	
	
<p><b>CHEMISCHE UND BRANDGEFAHR</b> Die Nichtbeachtung dieser Anweisungen kann zu schweren oder tödlichen Verletzungen führen.</p> <ul style="list-style-type: none"> <li>• Schmuckstücke stets entfernen und Augenschutz tragen.</li> <li>• Beim Anschluss der Kabel nicht über die Batterie lehnen.</li> <li>• Immer sicherstellen, dass der Bereich, in dem gebohrt werden soll, frei von Kraftstoffleitungen, Kraftstofftanks, Bremsleitungen, elektrischen Kabeln usw. ist.</li> <li>• Elektrische Kabel niemals             <ul style="list-style-type: none"> <li>- über scharfe Kanten hinweg verlegen.</li> <li>- durch oder in der Nähe von beweglichen Teile verlegen.</li> <li>- in der Nähe von Teilen verlegen, die heiß werden können.</li> </ul> </li> <li>• Alle frei liegenden Drähte und elektrischen Anschlüsse isolieren und schützen.</li> <li>• Schutzmanschetten immer gemäß den Installationsanweisungen anbringen.</li> </ul>	

 <b>ACHTUNG</b>		
		
<p><b>GEFAHR DURCH BEWEGLICHE TEILE</b> Die Nichtbeachtung dieser Anweisungen kann zu schweren oder tödlichen Verletzungen führen.</p> <p>So lassen sich Verletzungen an den Händen und Fingern vermeiden:</p> <ul style="list-style-type: none"> <li>• Während der Installation, des Betriebs und beim Ab- und Aufspulen den Kontakt mit dem Drahtseil, der Öse, dem Haken und der Seilführung vermeiden.</li> <li>• Vorsicht beim Umgang mit Haken und Drahtseil während des Spulvorgangs!</li> <li>• Beim Auf- und Abspulen, während der Installation oder während des Betriebs immer den mitgelieferten Hakengurt verwenden, um Verletzungen an den Händen und Fingern zu vermeiden.</li> </ul>		

 <b>ACHTUNG</b>	
	
<p><b>STURZ- ODER QUETSCHGEFAHR</b> Die Nichtbeachtung dieser Anweisungen kann zu schweren oder tödlichen Verletzungen führen.</p> <ul style="list-style-type: none"> <li>• Der Betrieb der Winde mit weniger als 5 Seilwicklungen um die Trommel wird nicht empfohlen. Das Seil könnte sich von der Trommel lösen, da die Seilbefestigung an der Trommel nicht für eine Last konzipiert wurde.</li> <li>• Nicht als Hebevorrichtung oder zum Aufhängen einer Last verwenden.</li> <li>• Nicht als Lift oder zur Beförderung von Personen verwenden.</li> </ul>	

## VORSICHT

### GEFAHR DURCH BEWEGLICHE TEILE

Die Nichtbeachtung dieser Anweisungen kann zu leichten oder mäßigen Verletzungen führen.

#### Allgemeine Sicherheitsmaßnahmen:

- Stets mit der Winde vertraut machen: Nehmen Sie sich die Zeit, um sich anhand der im Lieferumfang enthaltenen Installations- und Bedienungsanweisungen sowie der Richtlinien zur Windentechnik mit der Funktionsweise und dem Windenbetrieb vollständig vertraut zu machen.
- Nur Personen, die mindestens 16 Jahre alt sind, dürfen diese Winde in Betrieb nehmen.
- Winde niemals unter Alkohol-, Drogen- oder Medikamenteneinfluss in Betrieb nehmen.
- Die Nennkapazität der Winde bzw. des Drahtseils nicht überschreiten. Zur Reduzierung der Last sind eine Umlenkrolle und ein zweifach geschertes Seil zu verwenden.

#### Sicherheitsmaßnahmen bei der Installation:

- Die Befestigungsstelle sollte immer fest genug sein, um der maximalen Nennleistung der Winde standhalten zu können.
- Nur vom Hersteller genehmigte Schalter, Fernsteuerungen, Zubehörteile und Installationskomponenten verwenden.
- Nur hochwertige Metallteile (mind. Grade 5) und keine Schweißbolzen oder Bolzen verwenden, die länger als die vom Hersteller gelieferten Teile sind.
- Bei der Installation sollten die Montage und Befestigung von Haken und Öse immer vor der Verdrahtung der Winde erfolgen.
- Seilführung immer so positionieren, dass das Warnetikett nach oben zeigt.
- Das Drahtseil muss immer entsprechend den Rotationsangaben auf dem Trommelauflöcher aufgespult werden. Für die Funktion der Automatikbremse (wenn vorhanden) und für die richtige Ausrichtung bei der Installation erforderlich.
- Drahtseil vor Inbetriebnahme immer dehnen und unter Last neu aufspulen. Ein fest aufgespultes Drahtseil reduziert das Risiko, dass sich die Drahtseillagen lockern und hängen bleiben oder Schäden verursachen.

## VORSICHT

### GEFAHR DURCH BEWEGLICHE TEILE

Die Nichtbeachtung dieser Anweisungen kann zu leichten oder mäßigen Verletzungen führen.

#### Sicherheitsmaßnahmen beim Windenbetrieb:

- Vor Inbetriebnahme der Winde ist stets der Zustand von Drahtseil und Haken zu prüfen. Ausgefranzte, geknickte oder beschädigte Drahtseile müssen umgehend ausgetauscht werden. Eine lockere oder unzureichende Windeninstallation muss umgehend behoben werden. Beschädigte oder verworfene Haken sind umgehend auszuwechseln.
- Die Fernsteuerung sollte weder beim Freilauf, Abspannen oder Nichtgebrauch an die Winde angeschlossen sein.
- Drahtseil niemals am Drahtseil einhaken. Dadurch wird das Drahtseil beschädigt. Immer eine Kette, ein Drahtseil oder eine sonstige Schutzvorrichtung (z.B. für Bäume) mit dem Anker verwenden.
- Vor Inbetriebnahme der Winde sind alle Objekte zu entfernen, die den sicheren Windenbetrieb beeinträchtigen könnten.
- Nehmen Sie sich Zeit beim Abspannen zur Vorbereitung des Aufspulvorgangs.
- Sicherstellen, dass der gewählte Anker der Last standhalten kann und dass weder der Riemen noch die Kette verrutschen können.
- Kupplung bei belasteter Winde, gespanntem Seil oder sich bewegender Seiltrommel nicht ein- oder ausrasten lassen.
- Beim Abspannen immer möglichst viel Drahtseil abspulen. Seil zweifach scheren oder weit entfernten Ankerpunkt wählen.
- Während des Betriebs Abstand von Drahtseil und Last einhalten.
- Niemals Seil oder Haken berühren, wenn diese unter Spannung stehen.
- Während des Windenbetriebs weder Drahtseil noch Haken berühren, oder wenn jemand anderes die Steuerung der Winde übernommen hat.
- Bei angeschlossener Fernsteuerung weder Drahtseil noch Haken berühren.
- Abstand zum Drahtseil und der Last einhalten und andere Person während des Windenbetriebs fern halten.

## VORSICHT

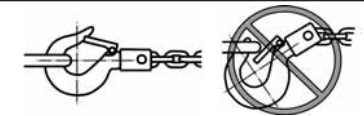
### GEFAHR DURCH BEWEGLICHE TEILE

Die Nichtbeachtung dieser Anweisungen kann zu leichten oder mäßigen Verletzungen führen.

#### Sicherheitsmaßnahmen beim Windenbetrieb:

- Bedienpersonal und in der Nähe befindliche Personen müssen sich der Stabilität von Fahrzeug und Last während des Windenbetriebs bewusst sein.
- Fernsteuerungskabel immer von der Trommel, dem Drahtseil und beim Abspannen fern halten. Auf rissige, geknickte oder ausgefranzte Drähte oder lockere Anschlüsse prüfen. Bei Beschädigung ersetzen.
- Bei Verwendung der Fernsteuerung im Fahrzeug die Fernsteuerung immer durch das Fenster reichen, um ein Quetschen des Kabels in der Tür zu vermeiden.

## VORSICHT



### GEFAHR DURCH BEWEGLICHE TEILE

Die Nichtbeachtung dieser Anweisungen kann zu leichten oder mäßigen Verletzungen führen.

- Nie die Hakenspitze oder den Riegel belasten. Nur die Hakenmitte belasten.
- Verworfene Haken bzw. Haken mit einer verbreiterten Durchlassöffnung nicht verwenden.

## VORSICHT



### VERLETZUNGS- UND VERBRENNUNGSGEFAHR

Die Nichtbeachtung dieser Anweisungen kann zu leichten oder mäßigen Verletzungen führen.

#### So lassen sich Verletzungen an den Händen und Fingern vermeiden:

- Bei der Handhabung des Drahtseils stets schwere Lederhandschuhe tragen.
- Drahtseil nie durch die Hände gleiten lassen.

#### So lassen sich Verletzungen an den Händen und Fingern vermeiden:

- Während des Windenbetriebs und nach Verwendung der Winde auf möglicherweise heiße Flächen in der Nähe des Windenmotors, der Trommel oder des Drahtseils achten.

## HINWEIS

### SO LASSEN SICH SCHÄDEN AN DER WINDE UND AN DEN GERÄTEN VERMEIDEN:

- Das Einziehen des Drahtseils von der Seite ist zu vermeiden, da sich das Seil an einem Ende der Trommel ansammeln kann. Bei Nichtbeachtung dieser Anweisung können Schäden am Drahtseil oder der Winde entstehen.
- Immer darauf achten, dass die Kupplung vollkommen ein- oder ausgerastet ist.
- Winde niemals zum Schleppen anderer Fahrzeuge verwenden. Schocklasten können die Leistung des Drahtseils und der Winde kurzzeitig überschreiten.
- Immer darauf achten, dass das Chassis bei der Verankerung des Fahrzeugs während des Windenbetriebs nicht beschädigt wird.
- Drahtseil unter Last immer nur langsam einziehen. Schocklasten können die Leistung des Drahtseils und der Winde kurzzeitig überschreiten.
- Winde nicht zur Sicherung der Last während des Transports verwenden.
- Winde niemals in Wasser eintauchen.
- Fernsteuerung an einem geschützten, sauberen, trockenen Ort aufbewahren.

### Montage der Seilwinde

- Wählen Sie einen Montageplatz, der ausreichend stabil ist, um die Lasten auszuhalten, die Sie ziehen möchten.
- **Siehe Zeichnungen der Seilwinden auf den folgenden Seiten Dort finden Sie auch Angaben zur richtigen Ausrichtung. Nur die angegebene Ausrichtung gewährleistet den sicheren Betrieb der Winde. Alle anderen Ausrichtungen sind unsachgemäß und ungeeignet.**
- In jeder dieser Ausrichtungen muss sich das Drahtseil entsprechend den Rotationsangaben auf dem Trommelaufkleber aufspulen.
- Die Verwendung der empfohlenen Schrauben und Sicherungsscheiben verhindert Vibrationen während des Betriebs, wenn sie mit den empfohlenen Drehmomenten festgezogen werden. **Siehe Zeichnungen der Seilwinden auf den folgenden Seiten Dort finden Sie auch Angaben zu den richtigen Drehmomenten.**

### Elektrische Anschlüsse

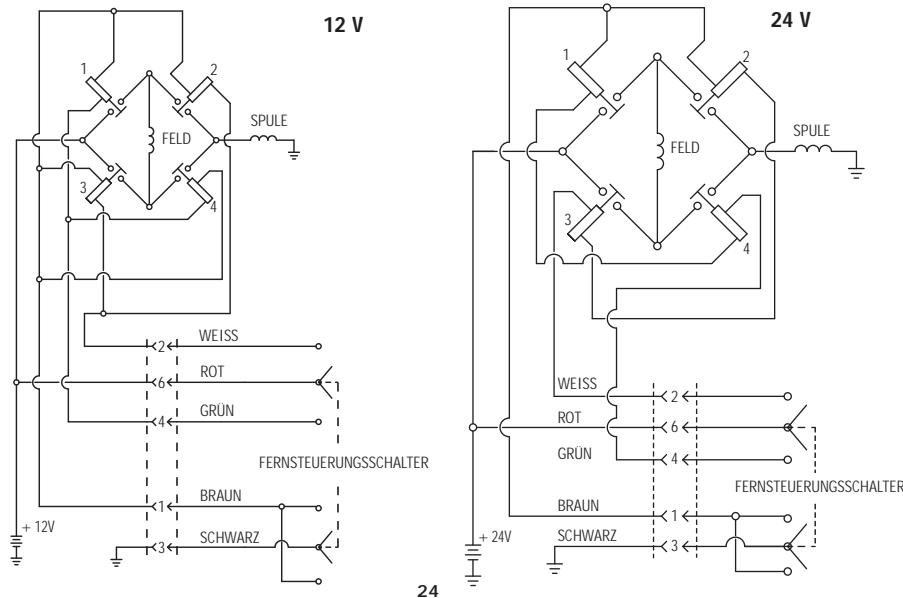
- Verwenden Sie unbedingt die Isolationsmanschetten an den freiliegenden Anschlüssen, damit elektrische Kurzschlüsse vermieden werden können. Verlegen Sie die Batterieanschlusskabel an Stellen, wo sie die Isolierung nicht aufreiben oder durchschneiden und so einen Kurzschluss verursachen können.
- Nach der Installation muss die Seilwinde auf ordnungsgemäße Funktion überprüft werden.

**! ACHTUNG**

**Um schwere oder tödliche Verletzungen durch Brand zu vermeiden:**

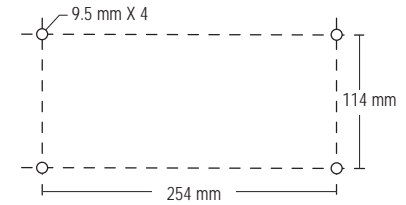
- Elektrische Kabel niemals
  - über scharfe Kanten hinweg verlegen.
  - durch oder in der Nähe von beweglichen Teile verlegen.
  - in der Nähe von Teilen verlegen, die heiß werden können.
- Alle frei liegenden Drähte und elektrischen Anschlüsse isolieren und schützen.
- Schutzmanschetten immer gemäß den Installationsanweisungen anbringen.

### ELEKTRISCHES SCHALTBILD



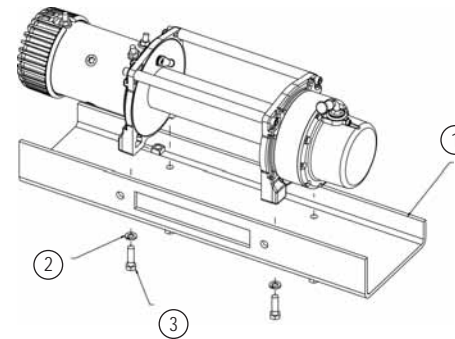
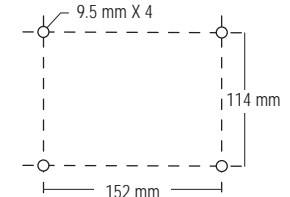
### Montagestelle:

- (1) Eben und flach, Stärke = 6,4 mm
- (2) 9,525 mm - Sicherungsscheibe x 4
- (3) 3/8-16 X 1 1/4" Zoll lange Schraube (SAE Grade 5) X 4 Drehmoment 41-47 Nm.



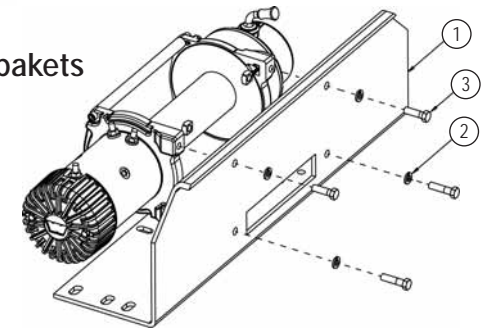
### Montageschablone:

- 254 mm x 114 mm
- 152 mm x 114 mm

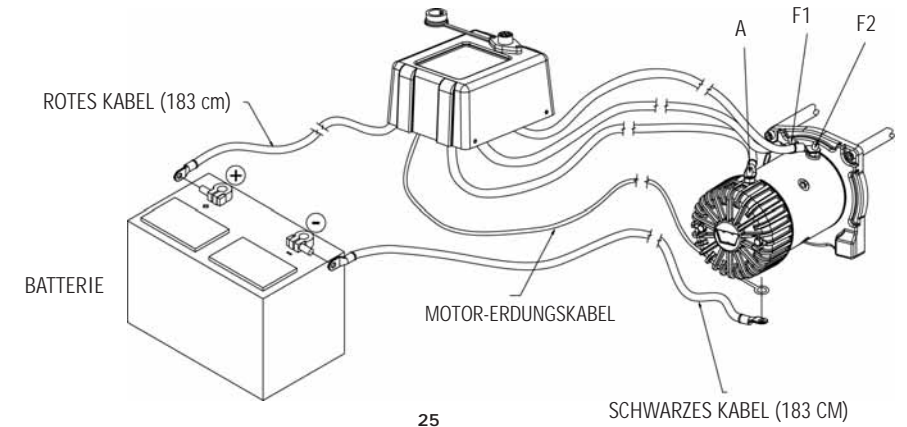


### Installation des Elektromagnetpakets

- Befestigen Sie die Steuerung gemäß den Anweisungen im Installationsbausatz von WARN. Verwenden Sie dazu die im Bausatz enthaltene Halterung.
- Zur Installation der Steuerung direkt auf der Seilwinde müssen Sie die entsprechende Halterung, Best.-Nr. 26368, anfordern.
- Die Steuerung kann auch mit den Befestigungselementen an den nicht verwendeten Öffnungen in der Sockelplatte positioniert werden. Sie erhalten somit mehr Flexibilität bei der Montage.



### ELEKTRISCHE ANSCHLÜSSE

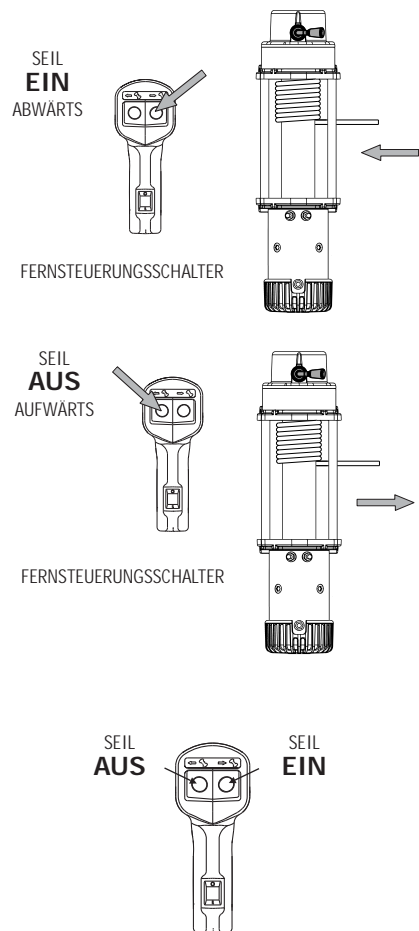


**! VORSICHT**

**STETS MIT DER WINDE VERTRAUT MACHEN:** Nehmen Sie sich die Zeit, um sich anhand der im Lieferumfang enthaltenen Installations- und Bedienungsanweisungen sowie der Richtlinien zur Windentechnik mit der Funktionsweise und dem Windenbetrieb vollständig vertraut zu machen.

**FERNSTEUERUNGSSCHALTER**

Die Fernsteuerung sollte beim Nichtgebrauch der Winde nicht an die Winde angeschlossen sein. Bei Nichtbeachtung dieser Anweisung können Gefahrensituationen entstehen und/oder die Batterie entladen werden.



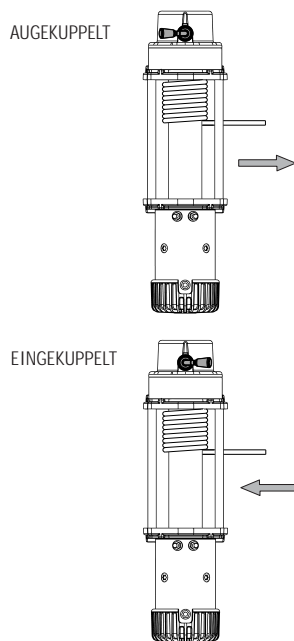
**KUPPLUNGSBETRIEB**

Bei eingerasteter Kupplung ist das Getriebe mit der Seiltrommel verbunden. Unter Umständen wird jetzt schon Strom vom Windenmotor übertragen. Im Leerlauf (Seilfreilauf) besteht keine Verbindung zwischen dem Getriebe und der Seiltrommel. Die Trommel dreht sich somit ungehindert. Der Kupplungsknauf, der sich auf dem Windengehäuse auf der anderen Seite des Motors befindet, steuert die Kupplungstätigkeit. Die Kupplung sollte über den Knauf immer nur voll eingerastet sein oder sich ungehindert im Leerlauf befinden. Nur so können Schäden vermieden werden.

**! VORSICHT**

**So lassen sich leichte oder mäßige Verletzungen vermeiden:**

- Kupplung bei belasteter Winde, gespanntem Seil oder sich bewegender Seiltrommel nicht ein- oder austrasten lassen.



**ÜBERLASTUNG/ÜBERHITZUNG**

Die Winde ist für Aussetzbetrieb vorgesehen. Sinkt die Drehzahl, so dass Gefahr besteht, dass der Motor bald stehen bleibt, kann sich die Winde sehr schnell aufheizen und den Motor beschädigen.

Bei Verwendung einer Umlenkrolle (siehe Richtlinien zur Windentechnik) werden die Stromaufnahme und die Hitzebildung im Motor reduziert. Dadurch verlängert sich die mögliche Einsatzzeit der Winde.

**REINIGUNG**

- Richten Sie unter hohem Druck stehende Wasserstrahle (aus Hochdruckreinigern, Autowaschanlagen usw.) nicht direkt zwischen das Trommellager und den Trommelflansch bzw. den Kupplungshebel.
- Reinigen Sie die Winde mit einem Tuch oder Schwamm sowie Wasser und Seife.
- Vermeiden Sie chemische Stoffe, die den Lacküberzug beschädigen könnten.
- Entfernen Sie Salzurückstände sofort gründlich von der Winde, um Schäden durch Korrosion zu vermeiden.

**EMPFEHLUNGEN ZUR BATTERIE**

Eine vollständig geladene Batterie und gute Anschlüsse sind für den ordnungsgemäßen Betrieb der Winde unumgänglich. Die Mindestanforderungen für eine 12 V-Batterie (Gleichspannung) liegen bei 650 CCA.

**WARTUNG**

- Die Winde benötigt keinerlei Schmierung, es sei denn, sie wird unter Wasser getaucht. Wenn die Winde unter Wasser getaucht wurde, muss sie so schnell wie möglich von einem qualifizierten Wartungstechniker gewartet werden, um Schäden durch Korrosion zu verhindern. Wenn die Steuerung unter Wasser getaucht wird, muss Sie bei Wartung der Winde ausgetauscht werden.
- Prüfen Sie die Batteriekabel und elektrischen Anschlüsse alle 3 Monate, um sicherzustellen, dass sie sauber und die Anschlüsse fest sind.
- Prüfen Sie das Drahtseil vor und nach dem Windenbetrieb. Bei Beschädigung ist es durch ein Drahtseil mit der in der Einzelteilleiste angegebenen Größe zu ersetzen.
- Das Drahtseil muss immer entsprechend den Rotationsangaben auf dem Trommelaufkleber aufgespult werden.

**WINDENBETRIEB**

**! ACHTUNG**

**So lassen sich schwere oder tödliche Verletzungen vermeiden:**

- Winde niemals mit weniger als 5 Drahtseilwicklungen um die Trommel herum in Betrieb nehmen. Das Seil könnte sich von der Trommel lösen.

**! VORSICHT**

**So lassen sich leichte oder mäßige Verletzungen vermeiden:**

- Bei der Handhabung des Drahtseils stets schwere Lederhandschuhe tragen.

**SICHERE ARBEITSPPOSITIONEN**

Der Benutzer sollte die Winde beim Ziehen von Lasten immer von einer sicheren Position aus betreiben. Sichere Positionen sind senkrecht zum Seil stehend und im Fahrzeug, wobei die Motorhaube offen sein sollte (bei frontmontierter Fahrzeugwinde). Dadurch wird verhindert, dass das Seil in Richtung des Benutzer zurückschnellt, wenn es unter Belastung reißt. Nutzen Sie möglichst die ganze Reichweite der Fernsteuerung. Der Benutzer muss beim Windenbetrieb einen Abstand von mindestens 2,44 m zur Winde einhalten. Dadurch wird verhindert, dass die Fernsteuerung in das Seilfenster gerät und der Benutzer sich beim Betrieb im Gefahrenbereichs der Winde aufhält. **Arbeiten Sie nie in der Nähe des Drahtseils, solange dies unter Spannung steht.**

## DEHNEN DES DRAHTSEILS



## ACHTUNG

So lassen sich schwere oder tödliche Verletzungen vermeiden:

- Während der Installation, des Betriebs und beim Ab- und Aufspulen den Kontakt mit dem Drahtseil, der Öse, dem Haken und der Seilführung vermeiden.
- Vorsicht beim Umgang mit Haken und Drahtseil während des Spulvorgangs!
- Beim Auf- und Abspulen, während der Installation oder während des Betriebs immer den mitgelieferten Hakengurt verwenden, um Verletzungen an den Händen und Fingern zu vermeiden.
- Winde niemals mit weniger als 5 Drahtseilwicklungen um die Trommel herum in Betrieb nehmen. Das Seil könnte sich von der Trommel lösen.

Die Lebensdauer eines Drahtseils hängt von Gebrauch und Pflege ab. Beim ersten Gebrauch muss ein neues Drahtseil mit einer Last von mindestens 454 kg auf die Trommel gespult werden. Beachten Sie die folgenden Anweisungen, damit das Drahtseil korrekt auf die Windentrommel aufgespult wird.

1) Wählen Sie einen **EBENEN** Standort mit ausreichend Platz, um das Drahtseil in ganzer Länge auszuliegen.

2) Drehen Sie den Kupplungshebel an der Winde in die Freilaufstellung. Spulen Sie das Drahtseil bis auf 5 Trommelumwindungen ab. Drehen Sie den Kupplungshebel an der Winde nach dem Abspulen des Drahtseils in die eingekuppelte Stellung.

3) Befestigen Sie das Hakenende des Seils an einem geeigneten Ankerpunkt, und fahren Sie das Fahrzeug so weit zurück, bis das Drahtseil fast gespannt ist. Denken Sie daran, die Feststellbremse anzuziehen, einen Gang einzulegen bzw. bei Automatikgetriebe die Parkstellung zu wählen und den Motor abzustellen, bevor Sie aussteigen.

4) Schließen Sie die Fernsteuerung an die Winde an. Halten Sie ungefähr 2 m Abstand von der Winde, und spulen Sie das Seil auf die Winde auf, bis es gespannt ist. Nehmen Sie die Fernsteuerung von der Winde ab. Halten Sie das Drahtseil mit einer Hand unter Spannung. Drücken Sie das Drahtseil vorsichtig in Richtung der Trommel, an der es befestigt ist, damit zwischen den einzelnen Wicklungen keine Abstände bleiben. Vergewissern Sie sich, dass das Drahtseil auf der Unterseite der Trommel und nicht auf der Oberseite abläuft. Anderenfalls kann die automatische Lastbremse nicht ordnungsgemäß funktionieren. (Wenn das Drahtseil auf der Oberseite abläuft, wurde der Spulvorgang der Winde bei Verwendung der Fernsteuerung in die falsche Richtung aktiviert.)

5) Aus Sicherheitsgründen sollten die folgenden Schritte immer von zwei Personen ausgeführt werden. Falls Sie beabsichtigen, das Drahtseil ohne die Unterstützung einer weiteren Person unter Spannung zu setzen, müssen Sie unbedingt darauf achten, dass die Feststellbremse angezogen, ein Gang eingelegt und der Fahrzeugmotor abgeschaltet sind, wenn Sie zum Überprüfen des Drahtseils aus dem Fahrzeug steigen. Steigen Sie niemals aus dem Fahrzeug aus, während das Drahtseil unter Belastung steht. Das korrekte Anspannen des Drahtseils trägt entscheidend dazu bei, dass es lange nutzbar bleibt. Durch das Anspannen des Drahtseils wird verhindert, dass die inneren Lagen des Drahtseils durch die äußeren Wicklungen eingeklemmt und verformt werden.

6) Achten Sie darauf, dass jede Lage sauber aufgewickelt wird, um eine Beschädigung des Seils zu verhindern.

7) Übergeben Sie dem Fahrzeugführer die Fernsteuerung durch das Fenster auf der Fahrerseite. Weisen Sie Ihren Helfer an, sich neben das Fahrzeug zu stellen und Abstand zum Drahtseil zu halten. Ihr Helfer sollte das Drahtseil beobachten und Ihnen durch Signale mitteilen, dass es korrekt über die Seilführung aufgewickelt wird. Starten Sie den Fahrzeugmotor, und nehmen Sie den Gang heraus. Lösen Sie die Feststellbremse, während Sie mitmäßigem Druck auf die Bremse treten. Aktivieren Sie die Aufwickelfunktion über die Fernsteuerung. Unterbrechen Sie den Wickelvorgang nach ungefähr 2 m. Nehmen Sie langsam den Fuß von der Bremse, und ziehen Sie dann die Feststellbremse an. Dadurch wird sichergestellt, dass das Windenseil nicht unter Belastung steht. Schalten Sie das Getriebe dann wieder in die Parkposition oder legen Sie einen Gang ein, und schalten Sie den Fahrzeugmotor ab. Steigen Sie aus dem Fahrzeug aus, und überprüfen Sie, ob das Drahtseil gleichmäßig auf die Windentrommel

aufgewickelt und nicht in einer darunter liegenden Lage eingeklemmt wird. Wenn das Drahtseil sich zu verklemmen droht, spulen Sie es wieder ab, und wiederholen Sie den Vorgang. Treten Sie diesmal jedoch etwas fester auf die Bremse.

8) Wenn Sie sich davon überzeugt haben, dass das Drahtseil korrekt auf die Windentrommel aufgewickelt wird, wiederholen Sie Schritt 6 so lange, bis sich das Fahrzeug nur noch weniger als 2 m vom Windenankerpunkt entfernt befindet. Wenn der Abstand weniger als 2 m beträgt, nehmen Sie langsam den Fuß von der Bremse, und ziehen Sie dann die Feststellbremse an. Dadurch wird sichergestellt, dass das Drahtseil nicht unter Belastung steht. Schalten Sie das Getriebe dann wieder in die Parkposition oder legen Sie einen Gang ein, und schalten Sie den Fahrzeugmotor ab. Steigen Sie aus dem Fahrzeug aus. Lösen Sie den Haken vom Ankerpunkt. Halten Sie den mitgelieferten Hakengurt fest, und stellen Sie sicher, dass das Windenseil weiterhin unter Spannung steht. Wickeln Sie das Seil langsam durch mehrfaches kurzes Einschalten der Wickelfunktion an der Fernsteuerung so weit auf, dass der Haken weniger als 1 m von der Seilführung entfernt ist. Beenden Sie nun den Windenvorgang, und befestigen Sie den Haken an einem geeigneten Ankerpunkt am Fahrzeug. **ZIEHEN SIE DEN HAKEN NICHT IN DIE SEILFÜHRUNG.** Dadurch könnte die Seilführung beschädigt werden. Sobald der Haken an einer geeigneten Stelle am Fahrzeug befestigt ist, wickeln Sie das Windenseil durch mehrfaches kurzes Einschalten der Winde an der Fernsteuerung weiter auf, bis das Seil fast gespannt ist.

**AB-/ AUFSPULEN****ABSPULEN**

• Beim Freilauf handelt es sich generell um die schnellste und einfachste Methode, das Drahtseil abzuspuhlen. Bevor das Drahtseil im Freilauf von der Winde gespult wird, sollte so viel Seil abgerollt werden, dass jegliche Spannung entfernt wird. Kuppeln Sie aus. Rollen Sie nun per Hand genug Seil für den Windenbetrieb ab. Lassen Sie jedoch immer mindestens 5 Seilwicklungen auf der Trommel.

**AUFSPULEN UNTER LAST**

• Überschreiten Sie nie die max. Zugkraft der Winde.

• Ziehen Sie das Drahtseil gleichmäßig ein und legen Sie es fest um die Trommel. Dadurch wird verhindert, dass die äußeren Wickelschichten die darunter liegenden Schichten und Wicklungen und somit das Drahtseil beschädigen.

• Vermeiden Sie Stoßbelastungen beim Spulen, indem Sie ab und zu den Steuerschalter verwenden, um lockere Seilabschnitte einzuziehen. Stoßbelastungen können die Nennwerte der Winde und des Drahtseils für kurze Momente weit überschreiten.

**AUFSPULEN OHNE LAST**

• **Mit Unterstützung** - Lassen Sie das Hilfspersonal den Haken mit einem Hakengurt halten, wobei diese Person das Seil ohne Unterbrechung und möglichst stark spannt. Halten Sie beim Spulen den Haken immer mit dem Riemen. Das Drahtseil muss immer entsprechend den Rotationsangaben auf dem Trommelaufkleber aufgespult werden. **Lassen Sie den Schalter los, wenn der Haken mindestens 2,44 m vom Seilfenster entfernt ist.** Spulen Sie nun zu Lagerzwecken das restliche Seil auf.

• **Ohne Unterstützung** - Legen Sie das Drahtseil so, dass es beim Aufspulen weder geknickt wird oder hängen bleiben kann. Vergewissern Sie sich, dass die Seillagen um die Trommel fest und gleichmäßig angeordnet sind. Spulen Sie so viel Seil auf, bis die nächste Lage um die Trommel voll ist. **Ziehen Sie diese Seillage fest und gerade. Wiederholen Sie diesen Vorgang, bis der Haken mindestens 2,44 m vom Seilfenster entfernt ist.** Spulen Sie nun zu Lagerzwecken das restliche Seil auf.

**AUFSPULEN DES RESTSEILS ZU LAGERZWECKEN**

• Befestigen Sie den Haken an einem sicheren Punkt in der Nähe der Winde. Ziehen Sie das restliche Seil behutsam ein und entfernen Sie lockere Wicklungen durch langsame Windenbewegungen mit dem Steuerschalter. Achten Sie darauf, dass das Seil dabei nicht zu fest angezogen wird, da sonst Schäden am Drahtseil oder an der Hakenverankerung entstehen können.

**GERÄUSCHEMISSION**

• Die Winde ist so konzipiert, dass Geräuschemissionen von 70 dB am Standort des Benutzers nicht überschritten werden. Der Benutzer muss beim Windenbetrieb einen Abstand von mindestens 2,44 m zur Winde einhalten. Übersteigen die Emissionen 70 dB am Standort des Benutzers, lassen Sie die Winde von einem qualifizierten Wartungstechniker überprüfen.





Leggendo queste istruzioni si noteranno NOTE, AVVISI, indicazioni di ATTENZIONE e AVVERTENZE. Ciascun messaggio ha uno scopo specifico. Le AVVERTENZE sono messaggi di sicurezza che indicano situazioni potenzialmente pericolose che, se non vengono evitate, possono provocare lesioni gravi o letali. Le indicazioni di ATTENZIONE sono messaggi di sicurezza che indicano situazioni potenzialmente pericolose che, se non vengono evitate, potrebbero provocare lesioni di lieve o moderata entità. Un'indicazione di ATTENZIONE può essere utilizzata anche per mettere in guardia contro procedure non sicure. Le indicazioni di ATTENZIONE e le AVVERTENZE identificano il pericolo, indicano come evitarlo e informano sulle possibili conseguenze nel caso in cui non venga evitato. Gli AVVISI sono messaggi che indicano come evitare danni alle apparecchiature. Le NOTE sono informazioni supplementari che assistono nel completamento della procedura. **SI PREGA DI LAVORARE IN CONDIZIONI DI SICUREZZA!**

 <b>AVVERTENZA</b>	
	
<p><b>PERICOLO DA SOSTANZE CHIMICHE E INCENDIO</b>                      La mancata osservanza delle istruzioni può risultare in lesioni gravi o fatali.</p> <ul style="list-style-type: none"> <li>• Togliersi sempre i gioielli e indossare occhiali di protezione.</li> <li>• Non appoggiarsi alla batteria quando si fanno i collegamenti.</li> <li>• Verificare sempre che l'area in cui si faranno i fori sia distante dalle tubature di carburante, dal serbatoio del carburante, dalle tubature del freno, dai conduttori elettrici, ecc.</li> <li>• Non fare mai passare i cavi elettrici:                             <ul style="list-style-type: none"> <li>- Su spigoli vivi.</li> <li>- In mezzo o in vicinanza di parti in movimento</li> <li>- Vicino a parti che si riscaldano.</li> </ul> </li> <li>• Isolare e proteggere sempre tutti i conduttori e i terminali elettrici esposti.</li> <li>• Installare sempre guaine di terminale quando richiesto dalle istruzioni d'installazione.</li> </ul>	

 <b>AVVERTENZA</b>		
		
<p><b>PERICOLO DI IMPIGLIAMENTO NELLE PARTI IN MOVIMENTO</b>                      La mancata osservanza delle istruzioni può risultare in lesioni gravi o fatali.</p> <p>Per evitare lesioni alle mani o alle dita.</p> <ul style="list-style-type: none"> <li>• Tenere sempre le mani lontano dalla fune metallica, dall'anello di aggancio, dal gancio e dall'apertura passacavo, sia durante l'installazione che durante il funzionamento e quando si avvolge o svolge la fune.</li> <li>• Maneggiare sempre il gancio e la fune metallica con estrema cautela durante le operazioni di avvolgimento.</li> <li>• Per evitare lesioni alle mani o alle dita, usare sempre le cinghie a gancio in dotazione quando si avvolge o svolge la fune e durante l'installazione o il funzionamento.</li> </ul>		

 <b>AVVERTENZA</b>	
	
<p><b>PERICOLO DI CADUTA O SCHIACCIAMENTO</b>                      La mancata osservanza delle istruzioni può risultare in lesioni gravi o fatali.</p> <ul style="list-style-type: none"> <li>• Non azionare mai il verricello con meno di 5 giri di fune sul tamburo. La fune potrebbe allentarsi dal tamburo perché l'attacco della fune al tamburo non è stato progettato per sopportare un carico.</li> <li>• Non usare mai come argano sospeso o per tenere dei pesi in sospeso.</li> <li>• Non usare mai per sollevare o trasportare persone.</li> </ul>	

## ATTENZIONE

### PERICOLO DI IMPIGLIAMENTO NELLE PARTI IN MOVIMENTO

La mancata osservanza delle presenti istruzioni può risultare in lesioni lievi o di entità moderata.

#### Sicurezza in generale:

- Familiarizzarsi sempre con il verricello: Impiegare il tempo necessario per leggere e assimilare completamente l'accluso manuale di installazione e funzionamento e la guida alle tecniche di base sull'uso dei verricelli, per familiarizzarsi con il verricello e il suo uso.
- Le persone di meno di 16 anni d'età non devono mai usare questo verricello.
- Non si deve mai usare il verricello sotto l'influsso di droghe, in stato di ebbrezza o sotto l'effetto di medicine.
- Non superare mai la capacità nominale del verricello o della corda. Per ridurre il carico di trazione raddoppiare la corda usando una pasticca.

#### Sicurezza in installazione:

- Scegliere sempre una posizione di installazione sufficientemente forte da sopportare la capacità massima di trazione del verricello.
- Usare sempre interruttori, comandi a distanza, accessori e componenti per l'installazione che sono approvati dalla fabbrica.
- Usare sempre articoli metallici di grado 5 o migliore, non saldare mai i bulloni e non usare mai bulloni più lunghi di quelli in dotazione dalla fabbrica.
- Durante l'installazione, completare il montaggio del verricello e l'allacciamento del gancio al suo anello prima di effettuare il collegamento dei conduttori.
- Posizionare sempre il passacavo con l'etichetta di AVVERTENZA rivolta in alto.
- Avvolgere sempre la fune metallica sul tamburo come indicato dalla decalcomania di rotazione del tamburo sul verricello. Richiesto per il funzionamento del freno automatico (se in dotazione) e per il corretto orientamento d'installazione.
- Stirare sempre la fune metallica e riavvolgerla sotto carico prima dell'uso. Una fune metallica avvolta strettamente riduce i rischi di "legatura", cioè l'infilarsi della fune metallica in uno strato inferiore allentato, dove può impigliarsi in se stessa e danneggiarsi.

## ATTENZIONE

### PERICOLO DI IMPIGLIAMENTO NELLE PARTI IN MOVIMENTO

La mancata osservanza delle presenti istruzioni può risultare in lesioni lievi o di entità moderata.

#### Sicurezza nell'uso del verricello:

- Prima di azionare il verricello, ispezionarne sempre l'installazione e controllare le condizioni della fune metallica e del gancio. Una fune metallica sfrangiata, piegata o danneggiata deve essere sostituita immediatamente. Un'installazione del verricello allentata o danneggiata deve essere corretta immediatamente. Sostituire immediatamente il gancio se si è danneggiato, piegato o torto.
- Non lasciare mai il comando a distanza inserito sul verricello durante l'avvolgimento libero, l'allestimento o nei periodi di inattività.
- Non agganciare mai la fune su se stessa. Così facendo si danneggia la fune metallica. Utilizzare sempre sull'ancoraggio una catena di aggancio, una fune metallica di aggancio o un elemento di protezione per tronchi d'albero.
- Prima di usare il verricello, togliere sempre qualsiasi oggetto che possa interferire con la sicurezza del suo funzionamento.
- Lavorare sempre senza fretta quando si prepara l'allestimento per usare il verricello.
- Accertarsi sempre che il punto di ancoraggio scelto sia capace di sopportare il carico e che la cinghia o catena usate non scivolino.
- Non innestare o staccare la frizione se il verricello è sotto carico, la fune metallica è in tensione o il suo tamburo si sta muovendo.
- Nell'allestire la fune, svolgere la maggior lunghezza possibile. Raddoppiare la fune o scegliere un punto di ancoraggio lontano.
- Durante l'uso, tenersi sempre distanti dalla fune metallica e dal carico.
- Non toccare mai la fune metallica o il gancio durante la trazione o sotto carico.
- Non toccare la fune metallica o il gancio mentre qualcun altro è in controllo dell'interruttore o durante le operazioni di trazione.
- Quando si usa il verricello, tenersi sempre distanti dalla fune metallica e dal carico, e assicurarsi che gli altri stiano lontani.

## ATTENZIONE

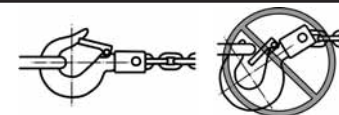
### PERICOLO DI IMPIGLIAMENTO NELLE PARTI IN MOVIMENTO

La mancata osservanza delle presenti istruzioni può risultare in lesioni lievi o di entità moderata.

#### Sicurezza nell'uso del verricello:

- Richiedere sempre che l'operatore e chi sta assistendo siano consapevoli della stabilità del veicolo e/o carico che si sta traendo.
- Tenere sempre il cavo del comando a distanza lontano dal tamburo, dalla fune metallica e dall'imbracatura. Ispezionare per verificare che non ci siano conduttori tagliati, pinzati o sfrangiati o connessioni allentate. Sostituire, se danneggiato.
- Quando lo si usa dall'interno del veicolo, fare sempre passare il comando a distanza da un finestrino per evitare di pinzare il cavo nella porta.

## ATTENZIONE



### PERICOLO DI IMPIGLIAMENTO NELLE PARTI IN MOVIMENTO

La mancata osservanza delle presenti istruzioni può risultare in lesioni lievi o di entità moderata.

- Non porre mai il carico sulla punta del gancio o sull'elemento di chiusura. Porre il carico solo alla parte centrale del gancio.
- Non usare mai un gancio la cui apertura si sia allargata o la cui punta si sia piegata o torta.

## AVVISO

### EVITARE DANNI AL VERRICELLO E ALL'ATTREZZATURA

- Evitare di tirare sempre da un lato perché così facendo si accumula la fune metallica tutta su un'estremità del tamburo. Ciò può danneggiare la fune metallica o il verricello.
- Accertarsi sempre che la frizione sia completamente innestata o disinnestata.
- Non usare mai il verricello per trainare un altro veicolo. I carichi istantanei possono momentaneamente superare la capacità della fune metallica o del verricello.
- Fare sempre attenzione a non danneggiare il telaio quando si ancora il veicolo nel corso di un'operazione con il verricello.
- Non "dare colpi" alla fune metallica sotto carico. I carichi istantanei possono momentaneamente superare la capacità della fune metallica o del verricello.
- Non utilizzare mai il verricello per fissare i carichi durante il trasporto.
- Non sommergere mai il verricello sott'acqua.
- Conservare sempre il comando a distanza in un'area riparata, pulita e asciutta.

## ATTENZIONE



### PERICOLO DI TAGLIO E BRUCIATURA

La mancata osservanza delle presenti istruzioni può risultare in lesioni lievi o di entità moderata.

#### Per evitare lesioni alle mani o alle dita:

- Durante la manipolazione della fune metallica, indossare sempre robusti guanti di pelle.
- Non far mai scivolare la fune metallica tra le mani.

#### Per evitare lesioni alle mani o alle dita:

- Essere sempre consapevoli della possibilità che ci siano superfici molto calde sul motore del verricello, sul tamburo o sulla fune metallica durante o dopo l'uso del verricello.

### Montaggio del verricello


- Scegliere una posizione di montaggio che sia in grado di opporre una resistenza sufficiente ai carichi che si desidera sollevare con il verricello.
- **Trovare i diagrammi del verricello in uso, nelle pagine seguenti. Riferirsi a essi per un orientamento corretto.** L'orientamento di montaggio illustrato è l'unico che garantisca un'operazione sicura di sollevamento con il verricello. Qualsiasi orientamento diverso è errato e inopportuno.
- La fune metallica deve sempre avvolgersi sul tamburo come indicato dalla decalcomania di rotazione del tamburo.
- L'uso delle combinazioni consigliate di bullone e rondella elastica di sicurezza, posti in torsione secondo i livelli indicati, eviterà le vibrazioni durante l'operazione. **Trovare i diagrammi del verricello in uso, nelle pagine seguenti. Riferirsi a essi per i corretti livelli di torsione.**

### Connessioni elettriche

- Per evitare cortocircuiti, accertarsi di usare gli elementi di protezione isolanti sulle connessioni esposte. Far passare i cavi di connessione della batteria in aree che non provochino lo sfregamento o l'usura dello strato isolante e il conseguente pericolo di cortocircuito.
- Una volta completata l'installazione, controllare che il verricello funzioni correttamente.

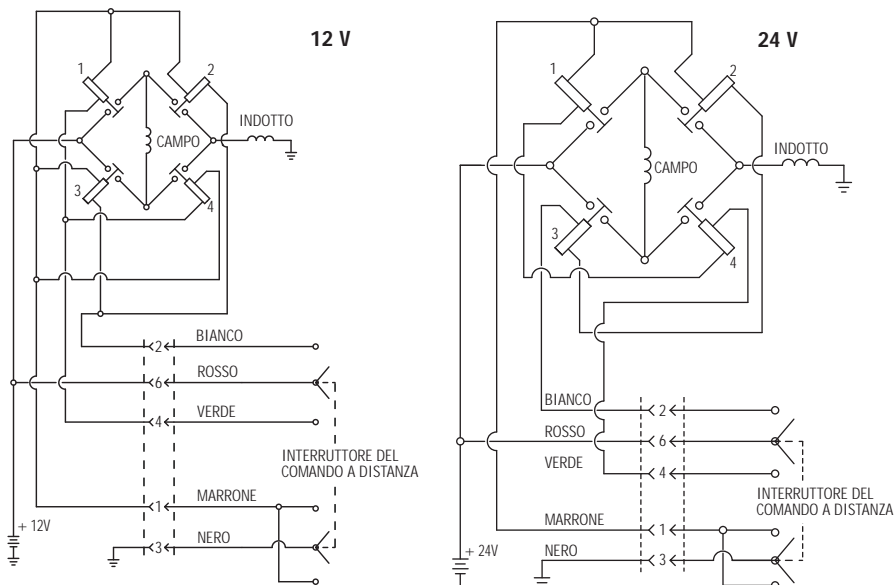
**! AVVERTENZA**

**Per evitare lesioni gravi o morte derivanti da incendio elettrico:**



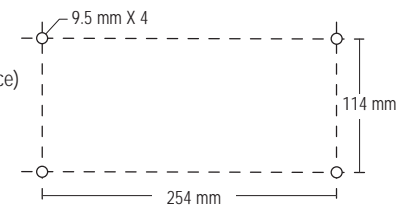
- **Non fare mai passare i cavi elettrici:**
  - Su spigoli vivi.
  - In mezzo o in vicinanza di parti in movimento
  - Vicino a parti che si riscaldano.
- **Isolare e proteggere sempre tutti i conduttori e i terminali elettrici esposti.**
- **Installare sempre guaine di terminale quando richiesto dalle istruzioni d'installazione.**

#### DIAGRAMMA DEL CIRCUITO ELETTRICO



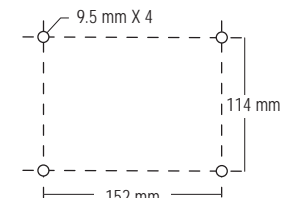
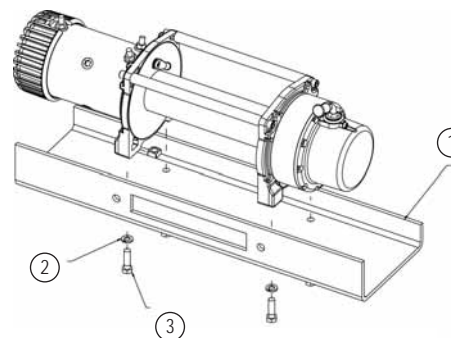
### Posizione di montaggio:

- (1) Levigata e piana, spessore = 6,4 mm (1/4 di pollice)
- (2) 4 rondelle elastiche di sicurezza da 9,525 mm (3/8 di pollice)
- (3) 4 bulloni di qualità 5 da 3/8 di pollice 16, lunghezza 1-1/4 di pollice, con forza di torsione di 41-47 N-m (30-35 piedi-libbra).



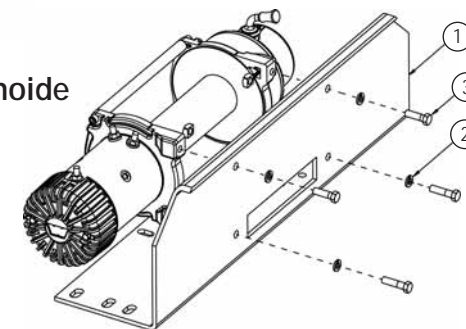
### Schema dei bulloni di montaggio:

- 254 mm x 114,3 mm, 10,0 pollici x 4,5 pollici
- 152 mm x 114,3 mm, 6,0 pollici x 4,5 pollici

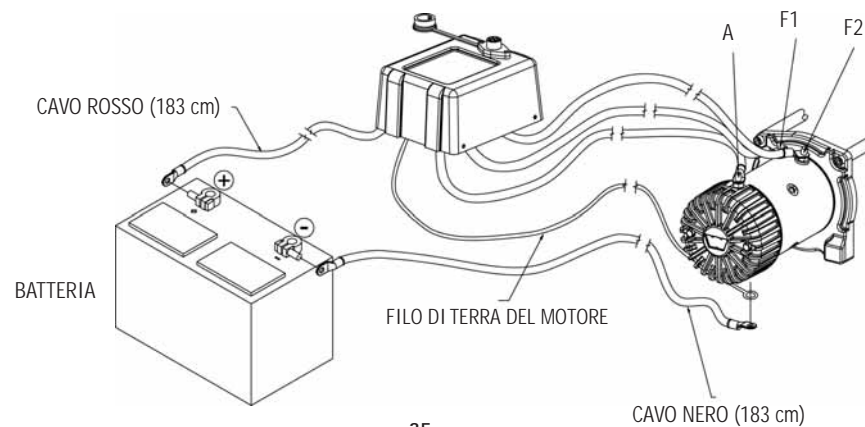


### Installazione del gruppo solenoide

- Montare il gruppo di comando in conformità alle istruzioni incluse nel kit del sistema di montaggio WARN. Usare la staffa inclusa nel kit.
- Per montare il gruppo di comando direttamente sul verricello, ordinare la staffa per gruppo di comando, numero di parte 26368.
- Per maggiore flessibilità di montaggio, i dispositivi di fissaggio per il montaggio del gruppo di comando possono anche essere spostati nei fori non utilizzati della piastra di base del gruppo stesso.



### CONNESSIONI ELETTRICHE

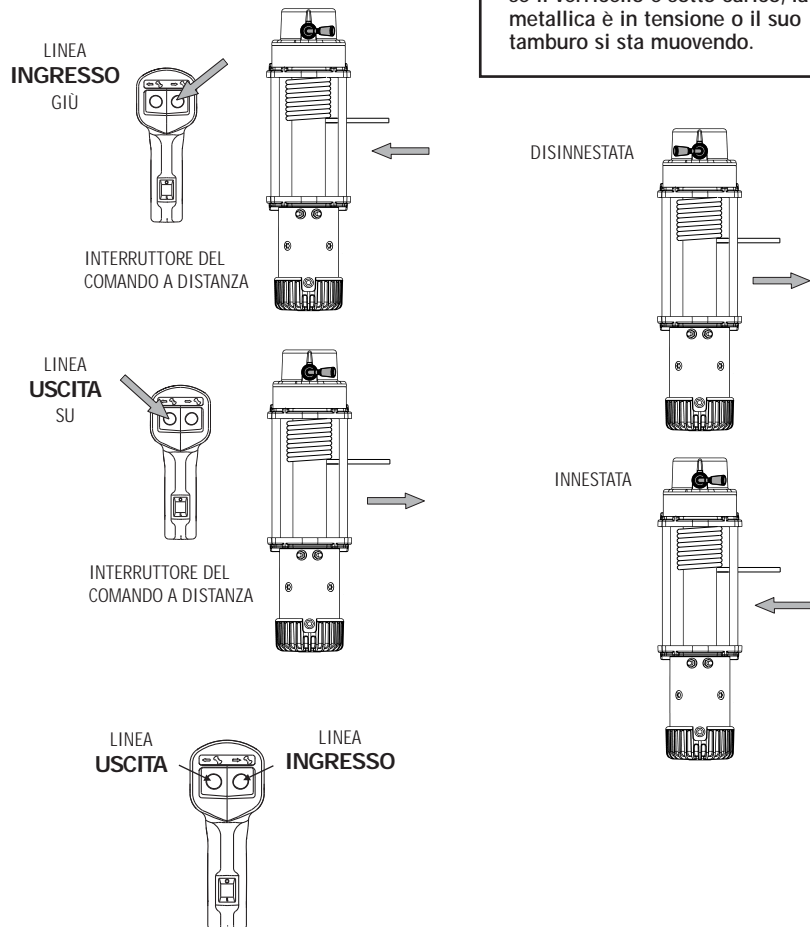


**ATTENZIONE**

**FAMILIARIZZARSI SEMPRE CON IL VERRICELLO:** Impiegare il tempo necessario per leggere e assimilare completamente l'accluso manuale di installazione e funzionamento e la guida alle tecniche di base sull'uso dei verricelli, per familiarizzarsi con il verricello e il suo uso.

**INTERRUTTORE DEL COMANDO A DISTANZA**

Non lasciare il comando a distanza inserito nel verricello quando questo non è in uso. Il comando a distanza inserito potrebbe dare origine a condizioni pericolose e/o esaurimento della batteria.

**FUNZIONAMENTO DELLA FRIZIONE**

Quando la frizione è innestata, l'ingranaggio è accoppiato con il tamburo della fune metallica e potrebbe verificarsi un trasferimento di potenza dal motore del verricello. Quando la frizione è in stato di avvolgimento libero, l'ingranaggio e il tamburo della fune metallica non sono accoppiati, e ciò consente la rotazione libera del tamburo. La manopola della frizione, situata sull'alloggiamento del verricello di fronte al motore, controlla la posizione della frizione. Per evitare danni, è necessario innestare o disinnestare sempre la manopola della frizione completamente.

**ATTENZIONE**

Per evitare lesioni lievi o moderate:

- Non innestare o staccare la frizione se il verricello è sotto carico, la fune metallica è in tensione o il suo tamburo si sta muovendo.

**SOVRACCARICO/SURRISCALDAMENTO**

Questo verricello è classificato per servizio intermittente. Quando il motore si avvicina alla velocità di stallo, si verifica un accumulo di calore molto rapido che può danneggiare il motore.

Il fascio funicolare a doppia linea (vedere la guida alle tecniche di base sull'uso dei verricelli) riduce l'assorbimento di corrente e l'accumulo di calore nel motore. Ciò consente un uso continuativo prolungato.

**PULIZIA**

- Non dirigere getti d'acqua ad alta pressione (impianti di lavaggio a pressione, lavaggio veicoli, ecc.) direttamente tra il supporto del tamburo e la sua flangia o la leva della frizione.
- Per pulire il verricello, usare acqua a bassa pressione e uno straccio o una spugna insaponati.
- Evitare l'uso di agenti chimici che potrebbero danneggiare la finitura.
- Per minimizzare la corrosione, pulire il verricello eliminando completamente, il più presto possibile, eventuali residui salini.

**CONSIGLI SULLA BATTERIA**

Una batteria completamente carica e buone connessioni sono essenziali per l'operazione corretta del verricello. Il requisito minimo per una batteria a 12 V c.c. è di 650 CCA (Ampere di avviamento a freddo)

**MANUTENZIONE**

- Non è necessaria nessuna lubrificazione per l'intera durata del verricello, a meno che questo non venga immerso in acqua. Se ciò si verifica, è necessario ricorrere il più presto possibile all'assistenza tecnica di un centro di assistenza specializzato, per evitare danni da corrosione. Se il gruppo di comando è stato immerso in acqua, sarà necessario sostituirlo quando viene riparato il verricello.
- Controllare i cavi della batteria e le connessioni elettriche ogni 90 giorni, per accertarsi che siano pulite e strette in tutti i punti di connessione.
- Ispezionare la fune metallica prima e dopo ciascuna operazione di sollevamento con il verricello. Se si rivela danneggiata, sostituirla con una della misura specificata nell'elenco dei pezzi di ricambio.
- La fune metallica deve sempre avvolgersi sul tamburo come indicato dalla decalcomania di rotazione del tamburo sul verricello.

**SOLLEVAMENTO CON VERRICELLO****AVVERTENZA**

Per evitare lesioni gravi o fatali:



- Non usare mai il verricello in trazione con meno di 5 avvolgimenti di fune sul tamburo perché la fune potrebbe staccarsi dal tamburo.

**ATTENZIONE**

Per evitare lesioni lievi o moderate:



- Durante la manipolazione della fune metallica, indossare sempre robusti guanti di pelle.


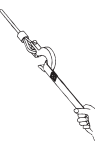
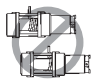
**STAZIONI DI LAVORO SICURE PER L'OPERATORE**

L'operatore dovrebbe sempre manovrare il verricello in una posizione sicura, durante il sollevamento di un carico. Le aree sicure sono quelle perpendicolari alla fune metallica o all'interno del veicolo, con il cofano sollevato (se il verricello è montato sul davanti del veicolo). Ciò aiuterà a evitare che l'operatore venga colpito dalla fune metallica, nel caso questa dovesse cedere sotto carico. Azionare il verricello, se possibile, alla distanza massima consentita dalla lunghezza del cavo del comando a distanza. L'operatore deve trovarsi ad almeno 2,44 m (8 piedi) dal verricello durante le operazioni. Questo evita grovigli con la guida e tiene l'operatore lontano da pericoli durante la trazione del carico con il verricello. **Non lavorare mai in prossimità della fune metallica quando questa è sotto carico.**

## STIRAMENTO DELLA FUNE METALLICA


**AVVERTENZA**

Per evitare lesioni gravi o fatali:

- Tenere sempre le mani lontano dalla fune metallica, dall'anello di aggancio, dal gancio e dall'apertura passacavo, sia durante l'installazione che durante il funzionamento e quando si avvolge o svolge la fune.
  - Maneggiare sempre il gancio e la fune metallica con estrema cautela durante le operazioni di avvolgimento.
  - Per evitare lesioni alle mani o alle dita, usare sempre le cinghie a gancio in dotazione quando si avvolge o svolge la fune e durante l'installazione o il funzionamento.
  - Non usare mai il verricello in trazione con meno di 5 avvolgimenti di fune sul tamburo perché la fune potrebbe staccarsi dal tamburo.
- 
- 
- 

La durata di una fune metallica è determinata dall'uso e dalla cura con cui viene maneggiata. La prima volta che la fune metallica viene usata, deve essere avvolta sul tamburo con un carico minimo di 1000 libbre (454 kg). Per stirare correttamente la fune metallica sul tamburo del verricello, seguire le istruzioni seguenti.

1) Scegliere un luogo **PIANO** grande abbastanza da poter svolgere l'intera lunghezza della fune metallica.

2) Sul verricello, spostare la leva della frizione sulla posizione di "svolgimento libero". Svolgere la fune metallica finché sul tamburo rimangono solo 5 giri. Quando la fune metallica è svolta, spostare la leva della frizione sul verricello sulla posizione "innestata".

3) Fissare l'estremità con gancio della fune a un punto di ancoraggio adatto e spostare indietro il veicolo allontanandosi dal punto di ancoraggio finché la fune abbia pochissimo lasco. Prima di uscire dal veicolo, innestare il freno a mano e mettere il cambio in marcia o in posizione di parcheggio e spegnere il motore.

4) Collegare il comando a distanza al verricello. Tenendosi a circa 6 piedi (2 m) di distanza dal verricello, azionare il verricello finché il lasco della fune non si sia avvolto sul tamburo. Scollegare il comando a distanza dal verricello. Tenere in tensione la fune metallica con una mano e, facendo attenzione, spingere la fune metallica dal lato del tamburo a cui è collegata in modo che non ci siano spazi tra gli avvolgimenti sul tamburo. Accertarsi di controllare che la fune metallica si avvolga dal basso e non dall'alto del tamburo, altrimenti il freno automatico di tenuta del carico non funzionerà nel modo corretto. (Se la fune metallica si avvolge dall'alto, si è avviato il comando a distanza su "fuori" invece che su "dentro").

5) Per ragioni di sicurezza, i passi seguenti dovrebbero essere eseguiti con due persone. Se si cerca di mettere in tensione la fune metallica da soli, accertarsi sempre che sia stato innestato il freno di stazionamento, che la marcia sia ingranata e che il motore sia spento ogni volta che si esce dal veicolo per ispezionare la fune metallica del verricello. Non uscire mai dal veicolo con la fune metallica del verricello sotto carico. La messa in tensione della fune metallica è essenziale per una lunga durata del prodotto. La messa in tensione della fune metallica evita che gli strati più esterni della fune metallica mordano e deformino quelli più interni.

6) Per evitare danni alla fune metallica fare attenzione che ciascuno strato si avvolga in modo uniforme.

7) Per eseguire l'operazione, fare passare il comando a distanza attraverso il finestrino del guidatore. Chiedere a chi aiuta di tenersi a lato del veicolo e lontano dalla fune metallica del verricello. Chi aiuta dovrebbe segnalare all'operatore se la fune metallica si sta avvolgendo in modo corretto, osservandola mentre si muove attraverso la guida, mano a mano che viene avvolta. Avviare il veicolo e mettere il cambio in folle. Disinnestare il freno di stazionamento mentre si applica una moderata pressione sul pedale del freno. Accendere l'interruttore di avvolgimento sul comando a distanza. Fermarsi dopo avere avvolto circa 6 piedi (2 m). Allentare lentamente la pressione sul pedale del freno e innestare il freno di stazionamento. Ciò garantisce

che la fune del verricello non sia sotto carico. Quindi mettere il cambio in posizione di parcheggio o in marcia e spegnere il motore. Uscire dal veicolo e ispezionare la fune metallica del verricello per controllare che sia avvolta sul tamburo del verricello in modo uniforme e che non si affondi sullo strato inferiore. Se la fune si affonda sullo strato inferiore, svolgere e ripetere i punti precedenti dall'inizio facendo più pressione sul pedale del freno.

8) Quando si è soddisfatti che la fune metallica si sta avvolgendo sul tamburo del verricello in modo corretto, ripetere il punto 6 sino a quando il veicolo non sia entro 6 piedi (2 m) dal punto di ancoraggio del verricello. Quando si arriva a 6 piedi (2 m), allentare lentamente la pressione sul pedale del freno e innestare il freno di stazionamento. Ciò garantisce che la fune metallica del verricello non sia sotto carico. Quindi mettere il cambio in posizione di parcheggio o in marcia e spegnere il motore. Uscire dal veicolo. Staccare il gancio dal punto di ancoraggio. Tenendo la cinghia del gancio in dotazione, mantenere tensione sulla fune del verricello e avvolgere lentamente accendendo e spegnendo a intermittenza il comando a distanza, finché il gancio non sia a 3 piedi (1 m) dalla guida. Smettere l'avvolgimento e agganciare il gancio a un punto di appiglio adatto sul veicolo. **NON AVVOLGERE FINO AL PUNTO CHE IL GANCIO ENTRI NELLA GUIDA.** In questo modo si può danneggiare la guida. Quando il gancio è agganciato in modo opportuno sul veicolo, avvolgere il tratto di fune rimanente azionando il.

**AVVOLGIMENTO****SVOLGIMENTO**

- Lo svolgimento libero è in genere il modo più rapido e più facile per svolgere la fune metallica. Prima di svolgere liberamente la fune metallica dal verricello, far avanzare verso l'esterno la fune di quel tanto sufficiente a eliminare eventuali tensioni presenti nella fune stessa. Disinnestare la frizione. Quindi svolgere liberamente a mano la fune metallica del tanto necessario per l'operazione di sollevamento con il verricello. Lasciare sempre almeno 5 giri di fune intorno al tamburo.

**AVVOLGIMENTO CON CARICO**

- Non eccedere mai la trazione nominale della linea del verricello.
- Azionare la fune metallica avvolgendola sul tamburo in modo uniforme e serrato. Ciò impedisce agli strati più esterni di fune avvolta di esercitare una tensione su quelli più interni, piegando e danneggiando la fune metallica.
- Evitare carichi a strappo durante l'avvolgimento, servendosi a intermittenza dell'interruttore di comando per eliminare eventuali allentamenti della fune metallica. I carichi a strappo possono eccedere di molto i valori nominali del verricello e della fune metallica.

**AVVOLGIMENTO SENZA CARICO**

- **Assistito** – Far tenere il gancio all'assistente, mediante la cinghia del gancio, applicando la tensione più uniforme possibile sulla fune metallica. Mantenendo la tensione, la persona che assiste deve avvicinarsi al verricello mentre l'operatore aziona l'interruttore di comando per avvolgere la fune metallica. **Rilasciare l'interruttore quando il gancio si trova a un minimo di 2,44 m dall'apertura della guida.** Avvolgere l'eccedenza per la conservazione.
- **Senza assistenza** – Disporre la fune metallica che deve essere avvolta in modo che essa non si attorcigli o aggrovigli durante l'avvolgimento. Accertarsi che la fune metallica sul tamburo sia ben serrata e disposta a strati uniformi. Avvolgere una lunghezza di fune metallica sufficiente a completare tutto lo strato successivo sul tamburo. **Stringere e spianare lo strato. Ripetere il procedimento finché il gancio non si trova a un minimo di 2,44 m dall'apertura della guida.**

Avvolgere l'eccedenza per la conservazione.

**AVVOLGIMENTO DELL'ECCEDEZZA PER LA CONSERVAZIONE**

- Fissare il gancio a un punto di ancoraggio idoneo vicino al verricello. Azionare con cautela tirando verso l'interno il resto della fune metallica, operando a scatti l'interruttore di comando per eliminare l'allentamento residuo. Fare attenzione a non serrare eccessivamente la fune metallica, perché ciò potrebbe danneggiare la fune stessa o il punto di ancoraggio.





**EMISSIONI SONORE**


- Il verricello è progettato in modo che le emissioni sonore non eccedano i 70 decibel nella stazione dell'operatore. L'operatore deve trovarsi ad almeno 2,44m (8 piedi) dal verricello durante le operazioni. Se il verricello eccede i 70 decibel nella stazione dell'operatore, farlo ispezionare in un centro di assistenza tecnica autorizzato.



Al leer estas instrucciones, verá ADVERTENCIAS, PRECAUCIONES, AVISOS y NOTAS. Cada mensaje tiene un objetivo concreto. Las ADVERTENCIAS son mensajes de seguridad que indican que está ante una situación potencialmente peligrosa que, si no se evita, puede acarrear lesiones graves o la muerte. Las PRECAUCIONES son mensajes de seguridad que indican que está ante una situación potencialmente peligrosa que, si no se evita, puede acarrear lesiones menores o moderadas. Las PRECAUCIONES pueden también alertar contra prácticas no seguras. Las PRECAUCIONES y ADVERTENCIAS identifican el peligro, le indican cómo evitarlo, y le advierten de las consecuencias probables que conlleva no evitar dicho peligro. Los AVISOS son mensajes para evitar daños a la propiedad. Las NOTAS son información adicional que le ayudarán a llevar a cabo un procedimiento. **¡POR FAVOR, TRABAJE CON SEGURIDAD!**

 <b>ADVERTENCIA</b>	
	
<p><b>PELIGRO DE INCENDIO Y DE EXPOSICIÓN A PRODUCTOS QUÍMICOS</b></p> <p>De no seguirse estas instrucciones podrían producirse lesiones graves o la muerte.</p> <ul style="list-style-type: none"> <li>• No lleve nunca puestas joyas o collares, y lleve siempre protección ocular.</li> <li>• No se apoye nunca en la batería cuando se estén haciendo las conexiones.</li> <li>• Si se va a perforar, verifique siempre que en el área no haya tuberías o tanques de combustible, tuberías de sistema de frenado, cables eléctricos, etc.</li> <li>• No pase nunca cables eléctricos:             <ul style="list-style-type: none"> <li>- Por bordes que puedan resultar cortantes.</li> <li>- A través o en las proximidades de piezas móviles.</li> <li>- Cerca de piezas que puedan ponerse calientes.</li> </ul> </li> <li>• Proteja y aisle siempre todo cableado y terminal eléctrico que esté expuesto.</li> <li>• Instale siempre cubiertas para los terminales tal y como se indica en las instrucciones de instalación.</li> </ul>	

 <b>ADVERTENCIA</b>		
		
<p><b>PELIGRO DE ENREDO EN LAS PIEZAS MÓVILES</b></p> <p>De no seguirse estas instrucciones podrían producirse lesiones graves o la muerte.</p> <p>Para evitar daños en las manos.</p> <ul style="list-style-type: none"> <li>• Mantenga siempre las manos alejadas del cable, del bucle del gancho, del gancho y de la abertura de la guía durante la instalación, la operación, y en el enrollado y desenrollado.</li> <li>• Tome siempre extremas medidas de precaución al manejar el gancho y el cable durante las maniobras de enrollado y desenrollado.</li> <li>• Utilice siempre la correa del gancho suministrada cuando vaya a enrollar o desenrollar el cable, o durante la instalación o la operación, para evitar daños en las manos.</li> </ul>		

 <b>ADVERTENCIA</b>	
	
<p><b>PELIGRO DE CAÍDAS O APLASTAMIENTOS</b></p> <p>De no seguirse estas instrucciones podrían producirse lesiones graves o la muerte.</p> <ul style="list-style-type: none"> <li>• No accione nunca el cabrestante si no hay al menos 5 vueltas de cable alrededor del tambor. El cable podría soltarse del tambor ya que el dispositivo de sujeción del cable al tambor no es apto para soportar una carga.</li> <li>• No utilice nunca el cabrestante como grúa vertical, ni para suspender una carga.</li> <li>• No utilice nunca el cabrestante para levantar o desplazar personas.</li> </ul>	

## PRECAUCIÓN

### PELIGRO DE ENREDO EN LAS PIEZAS MÓVILES

De no seguirse estas instrucciones podrían producirse lesiones menores o de poca gravedad.

#### Seguridad general:

- Sea siempre consciente del funcionamiento del cabrestante: Tómese su tiempo para leer y comprender completamente la guía de Instalación y operaciones, y la Guía básica de técnicas del cabrestante, que vienen con el mismo, para poder comprender el funcionamiento del cabrestante.
- No haga funcionar este cabrestante si es menor de 16 años de edad.
- No ponga en funcionamiento este cabrestante si se encuentra bajo los efectos de drogas, alcohol o medicamentos.
- No exceda nunca la capacidad nominal del cabrestante ni del cable de tiro. Emplee un cable doble utilizando una polea pasteca para reducir la carga del cabrestante.

#### Seguridad para la instalación:

- Elija siempre una ubicación de montaje que sea lo suficientemente sólida para soportar la capacidad de carga máxima del cabrestante.
- Utilice siempre interruptores, control remoto, accesorios y componentes de instalación que estén aprobados de fábrica.
- Utilice siempre tornillería de grado 5 o superior, pernos que nunca hayan sido soldados y no utilice nunca pernos que sean más largos que los suministrados por la fábrica.
- Complete siempre el montaje y acoplamiento del gancho del cabrestante al bucle del gancho antes de cablear el cabrestante durante la instalación.
- Ponga siempre la guía del cable con la etiqueta de ADVERTENCIA en su parte superior.
- El cable debe enrollarse alrededor del tambor en el sentido indicado por la marca de rotación que hay en el cabrestante. Es necesario para que funcione el freno automático (si viene con el cabrestante) y para una orientación correcta de la instalación.
- Realice siempre un estiramiento previo del cable y vuelva a enrollarlo con carga antes de usarlo. Un cable bien enrollado reduce el riesgo de "agarrotamiento", que consiste en el cable enrollándose en una capa de cable que está enrollada flojamente, y enganchándose o dañándose a sí mismo.

## PRECAUCIÓN

### PELIGRO DE ENREDO EN LAS PIEZAS MÓVILES

De no seguirse estas instrucciones podrían producirse lesiones menores o de poca gravedad.

#### Seguridad en el enrollado y desenrollado:

- Revise siempre la instalación del cabrestante y el estado del cable y del gancho antes de su uso. Si el cable está deshilachado, retorcido o dañado, deberá reemplazarse de inmediato. Cualquier pieza instalada que esté suelta o dañada deberá corregirse de inmediato. Reemplace el gancho de inmediato si éste se encuentra dañado, doblado o retorcido.
- No deje nunca el control remoto enchufado al cabrestante cuando efectúe un enrollado manual, cuando maniobre o con el cabrestante activo pero parado.
- No enganche nunca el cable sobre sí mismo. Esto deterioraría el cable. Utilice una cadena o un cable de estrangulación, o un protector de tronco de árbol en el anclaje.
- Antes del enrollado, no olvide retirar cualquier elemento que pueda interferir con una operación del cabrestante segura.
- Tómese su tiempo siempre cuando utilice un cabrestante.
- Verifique siempre que el anclaje seleccionado soportará la carga y que la correa o la cadena no se deslizará.
- Nunca embrague ni desembrague si el cabrestante está soportando una carga, si el cable está en tensión o si el tambor del cable está en movimiento.
- Siempre enrolle tanto cable como sea posible al prepararse para el maniobrado. Emplee un cable doble o elija un punto de anclaje distante.
- Manténgase siempre alejado del cable y de la carga durante el accionamiento del cabrestante.
- No toque nunca el cable ni el gancho mientras éstos estén en tensión o con carga.
- No toque nunca el cable ni el gancho si hay alguien cerca del interruptor de control, o si el cabrestante está en funcionamiento.
- No toque nunca el cable ni el gancho si el control remoto está enchufado al cabrestante.
- Manténgase alejado del cable y de la carga, y no deje que otros se acerquen mientras el cabrestante está en funcionamiento.

## PRECAUCIÓN

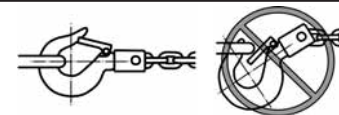
### PELIGRO DE ENREDO EN LAS PIEZAS MÓVILES

De no seguirse estas instrucciones podrían producirse lesiones menores o de poca gravedad.

#### Seguridad en el enrollado y desenrollado:

- Haga que el operador y otras personas presentes sean conscientes de la estabilidad durante la operación del cabrestante en el manejo del vehículo o la carga.
- Mantenga siempre el cable del control remoto alejado del tambor, del cable y del maniobrado. Inspeccione la posible existencia de grietas, pellizcos, cables deshilachados o conexiones sueltas. Reemplácelo si está dañado.
- Cuando use el control remoto dentro de un vehículo pase siempre el control remoto a través de una ventana para evitar que se pellizque el cable con la puerta.

## PRECAUCIÓN



### PELIGRO DE ENREDO EN LAS PIEZAS MÓVILES

De no seguirse estas instrucciones podrían producirse lesiones menores o de poca gravedad.

- No aplique nunca la carga a la punta del gancho o al seguro del mismo. Aplique la carga únicamente en el centro del gancho.
- No utilice nunca un gancho cuya abertura haya aumentado, o cuya punta esté doblada o retorcida.

## AVISO

### PARA EVITAR DAÑOS AL CABRESTANTE Y AL EQUIPO

- Evite siempre los tirones laterales continuos ya que pueden apilar el cable en un extremo del tambor. Esto puede dañar el cable o el cabrestante.
- Compruebe siempre que se ha embragado o desembragado completamente.
- No utilice nunca el cabrestante para remolcar otros vehículos. Las cargas repentinas pueden exceder momentáneamente la capacidad del cable y el cabrestante.
- Sea precavido siempre para no dañar la estructura cuando vaya a anclar su vehículo en una operación con el cabrestante.
- No desplace el cable en pequeñas sacudidas cuando esté con carga. Las cargas repentinas pueden exceder momentáneamente la capacidad del cable y el cabrestante.
- Nunca utilice el cabrestante para amarrar una carga durante el transporte.
- No sumerja nunca el cabrestante en agua.
- Almacene siempre el control remoto en un área protegida, limpia y seca.

## PRECAUCIÓN



### PELIGRO DE CORTES Y QUEMADURAS

De no seguirse estas instrucciones podrían producirse lesiones menores o de poca gravedad.

#### Para evitar daños en las manos:

- Lleve puestos siempre guantes gruesos de cuero para manejar el cable.
- Nunca deje que el cable se deslice por sus manos.

#### Para evitar daños en las manos:

- Tenga siempre en cuenta que las superficies del motor, del tambor o del cable del cabrestante pueden estar calientes durante o después del uso del mismo.

### Montaje del cabrestante

- Elija un lugar de montaje que sea lo suficientemente resistente como para soportar las cargas que desee desplazar.
- Los diagramas del cabrestante se encuentran en las siguientes páginas. Véalos para que le sirvan de orientación. Para garantizar un funcionamiento seguro del cabrestante, utilice sólo la orientación de montaje recomendada. Cualquier otra orientación de montaje es incorrecta e inadecuada.
- El cable debe enrollarse alrededor del tambor en el sentido indicado por la marca de rotación.
- El uso de las combinaciones recomendadas de arandelas de presión y pernos, aplicando los niveles de apriete recomendados, evita las vibraciones durante el accionamiento. Los diagramas del cabrestante se encuentran en las siguientes páginas. Véalos para obtener información apropiada sobre los niveles del par de torsión.

### Conexiones eléctricas

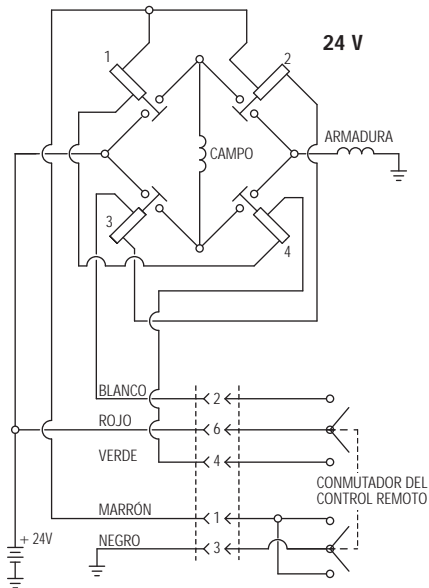
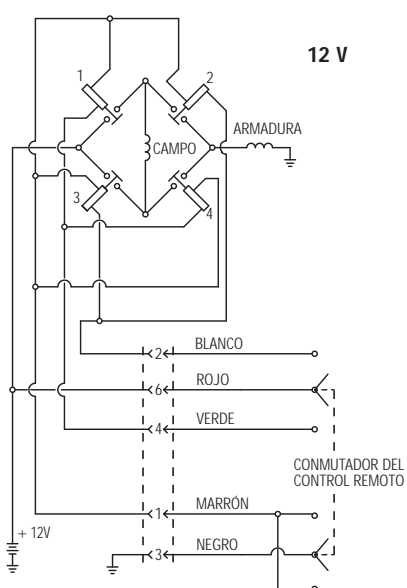
- Asegúrese de aplicar manguitos aislantes a las conexiones expuestas a fin de evitar cortocircuitos. Instale los cables de la batería de forma que queden alejados de bordes contundentes, componentes de suspensión en movimiento y tubos de escape, que pueden provocar corrosiones en el aislamiento y posibles cortocircuitos.
- Cuando haya finalizado la instalación, compruebe si el cabrestante funciona correctamente.

**⚠ ADVERTENCIA**

**Para evitar lesiones graves o accidentes mortales debidos a incendios por mal funcionamiento eléctrico:**

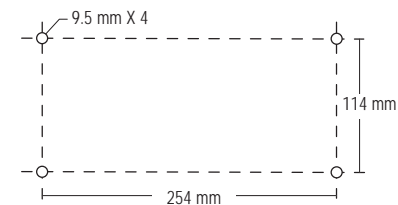
- No pase nunca cables eléctricos:
  - Por bordes que puedan resultar cortantes.
  - A través o en las proximidades de piezas móviles.
  - Cerca de piezas que puedan ponerse calientes.
- Proteja y aisle siempre todo cableado y terminal eléctrico que esté expuesto.
- Instale siempre cubiertas para los terminales tal y como se indica en las instrucciones de instalación.

ESQUEMA DEL CIRCUITO ELÉCTRICO



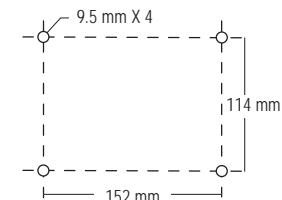
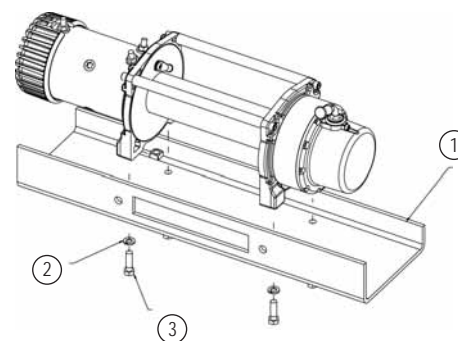
### Lugar de montaje:

- (1) Suave y llana, grosor = 1/4 de pulgada (6,4 mm)
- (2) 3/8 de pulgada (9,525 mm) arandela de bloqueo X 4
- (3) 3/8-16 X 1 1/4 de pulgadas de largo, perno de calibre 5 X 4 par de torsión 30-35 pies libras (41-47 Nm).



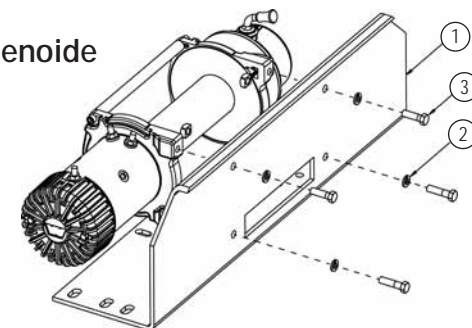
### Patrón de los pernos de montaje:

- 10 X 4,5 pulgadas, 254 mm X 114,3 mm
- 6 X 4,5 pulgadas, 152 mm X 114,3 mm

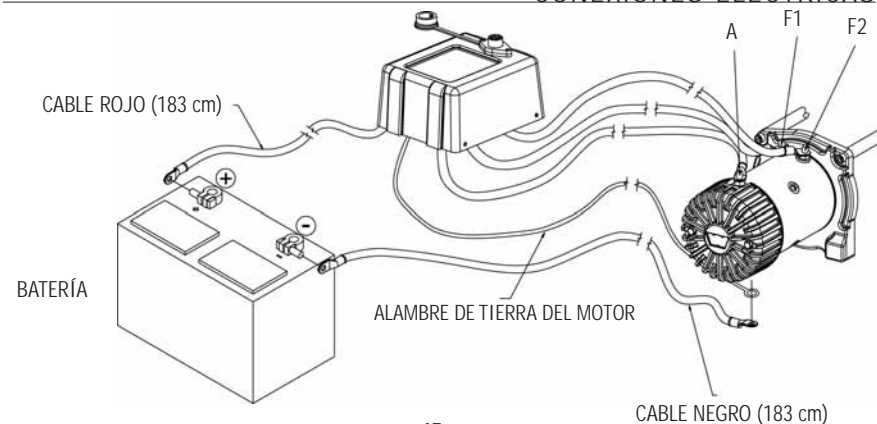


### Instalación del paquete del solenoide

- El montaje del paquete de control se debe realizar de acuerdo a las instrucciones incluidas en el conjunto del sistema de montaje de WARN. Utilice el soporte que se incluye en el paquete.
- Para montar el paquete de control directamente en el cabrestante, pida el soporte del mismo: número de pieza 26368.
- Para una mayor flexibilidad en el montaje, los aseguradores de montaje del paquete de control también pueden moverse hacia los agujeros no utilizados de la placa de la base del paquete de control.



### CONEXIONES ELÉCTRICAS



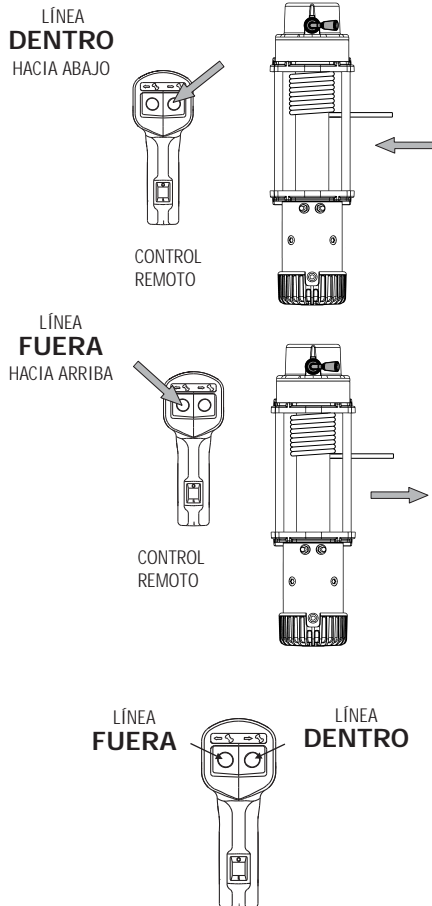


**PRECAUCIÓN**

SEA SIEMPRE CONSCIENTE DEL FUNCIONAMIENTO DEL CABRESTANTE: Tómese su tiempo para leer y comprender completamente la guía de instalación y operaciones, y la Guía básica de técnicas de uso del cabrestante, que vienen con el mismo, para poder comprender el funcionamiento del cabrestante.

**CONTROL REMOTO**

No deje el control remoto enchufado en el cabrestante cuando no se esté utilizando. El dejar el control enchufado puede producir una situación peligrosa o desgastar la batería.



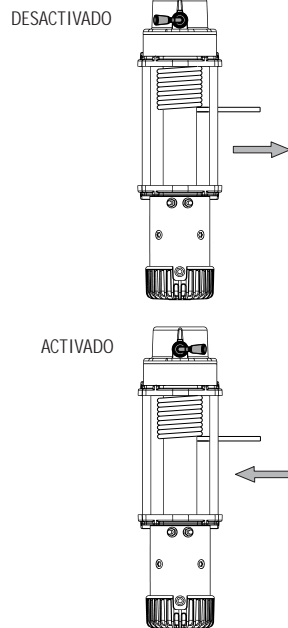
**FUNCIONAMIENTO DEL EMBRAGUE**

Cuando el embrague está activado, el sistema de engranajes se acopla al tambor del cable y, en estas condiciones, puede transferirse movimiento desde el motor del cabrestante. Cuando el embrague está en el modo de enrollado libre, el sistema de engranajes y el tambor del cable están desengranados, lo que permite que el tambor gire libremente. La palanca del embrague, ubicada en la cubierta del cabrestante, enfrente del motor, controla la posición del embrague. Para evitar daños, engrane y desengrane siempre completamente la palanca del embrague.

**PRECAUCIÓN**

Para evitar lesiones leves o moderadas:

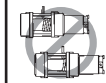
- Nunca embrague ni desembrague si el cabrestante está soportando una carga, si el cable está en tensión o si el tambor del cable está en movimiento.



**ACCIONAMIENTO DEL CABRESTANTE**

**ADVERTENCIA**

Para evitar lesiones de gravedad o la muerte:



- No utilice nunca el cabrestante con menos de 5 vueltas de cable enrollado en el tambor; de no hacerse así el cable podría soltarse del tambor.

**PRECAUCIÓN**

Para evitar lesiones leves o moderadas:



- Lleve puestos siempre guantes gruesos de cuero para manejar el cable.

**SOBRECARGA Y SOBRECALENTAMIENTO**

El cabrestante está indicado para un servicio intermitente. Cuando el motor se aproxima a la velocidad crítica, se genera calor muy rápidamente, lo que puede ocasionar daños al motor.

El maniobrado con línea de doble cable (ver la guía básica de técnicas de uso del cabrestante) reduce el amperaje de consumo y el recalentamiento del motor. Esto permite un uso continuo más prolongado.

**LIMPIEZA**

- No aplicar directamente agua a presión (limpiadores a presión, lavadores de coches, etc.) entre el soporte y el reborde del tambor o la palanca del embrague.
- Utilice agua a baja presión y una bayeta o esponja enjabonada para limpiar el cabrestante.
- Evite utilizar productos químicos que puedan dañar el acabado.
- Limpia totalmente los residuos de sal en el cabrestante, tan pronto como sea posible, para reducir al mínimo la posibilidad de corroerse.

**RECOMENDACIONES PARA LA BATERÍA**

Una batería completamente cargada y unas conexiones correctas resultan esenciales para el buen funcionamiento del cabrestante. El requisito mínimo para una batería de 12 voltios CC es de 650 amperios para arranque en frío.


**MANTENIMIENTO**

- Nunca será necesario la lubricación del cabrestante a no ser que éste se haya sumergido en agua. Si esto ocurre, se deberá llevar lo antes posible a un centro autorizado de servicio para evitar daños de corrosión. Si sumerge el sistema de control, éste debe ser reemplazado cuando se realice el servicio del cabrestante.
- Revise los cables de la batería y las conexiones eléctricas cada 90 días a fin de asegurarse de que estén limpios y bien apretados.
- Inspeccione el cable de tiro antes y después de cada operación efectuada con el cabrestante. Cuando se dañe, reemplácelo con el tamaño especificado en la Lista de piezas de repuesto.
- El cable debe enrollarse alrededor del tambor en el sentido indicado por la marca de rotación que hay en el cabrestante.

**POSICIONES SEGURAS PARA EL TRABAJO**

Cuando se desplace una carga, el operador debe encontrarse siempre en una posición segura. Las áreas seguras son: posiciones perpendiculares al cable de tracción, o el interior del vehículo con la capota subida (si el cabrestante está montado delante del vehículo). Estas posiciones ayudan a evitar que el cable alcance al operador si aquél no aguanta la carga y se rompe. Siempre que sea posible, accione el cabrestante desde el extremo del cable de control remoto. Debe situarse a por lo menos 2,44 m del cabrestante. Esto evitará que se enganche con la guía y le situará fuera del alcance de cualquier latigazo del cable durante el desplazamiento de la carga. **No trabaje nunca cerca del cable de tracción cuando el cabrestante lleve carga.**

## TENSIÓN DEL CABLE



## ADVERTENCIA

**Para evitar lesiones de gravedad o la muerte:**

- Mantenga siempre las manos alejadas del cable, del bucle del gancho, del gancho y de la abertura de la guía durante la instalación, la operación, y en el enrollado y desenrollado.
- Tome siempre extremas medidas de precaución al manejar el gancho y el cable durante las maniobras de enrollado y desenrollado.
- Utilice siempre la correa del gancho suministrada cuando vaya a enrollar o desenrollar el cable, o durante la instalación o la operación, para evitar daños en las manos.
- No utilice nunca el cabrestante con menos de 5 vueltas de cable enrollado en el tambor; de no hacerse así el cable podría soltarse del tambor.

La vida útil del cable está directamente relacionada con la forma en que se utiliza y se cuida el mismo. Durante su primer uso, un cable nuevo debe enrollarse en el tambor bajo una carga de por lo menos 454 kg (1000 lbs.). Siga las instrucciones siguientes para tensar el cable correctamente en el tambor del cabrestante.

1) Escoja una superficie **PLANA** que sea lo suficientemente amplia como para poder extender todo el cable.

2) Gire la palanca del embrague del cabrestante hacia la posición "Free Spool" (enrollado libre). Desenrolle el cable del tambor hasta las últimas 5 vueltas. Una vez desenrollado el cable, ponga la palanca del embrague del cabrestante en la posición "Engaged" (embragado).

3) Acople el extremo del cable con gancho a un punto de anclaje apropiado y aleje el vehículo de tal punto hasta que quede muy poco cable suelto. Antes de salir del vehículo, ponga el freno de mano, deje una velocidad puesta o en aparcado (vehículos automáticos) y apague el vehículo.

4) Conecte el control remoto al cabrestante. Desde una distancia de aproximadamente 2 metros (6 pies) al cabrestante, enrolle el cable hasta que se halla enrollado todo el cable suelto en el tambor del cabrestante. Desconecte el control remoto del cabrestante. Mantenga la tensión en el cable con una mano; empuje cuidadosamente el cable hacia el lado del tambor al que esté enganchado el cable, de forma que no haya espacios libres entre cada vuelta en el tambor. Verifique que el cable esté enrollándose en la parte inferior del tambor y no en la superior, ya que, en caso contrario, el freno de carga automático no funcionará correctamente. (Si el cable se enrolla en la parte superior, habrá desenrollado el cabrestante en lugar de enrollarlo con el control remoto).

5) Para una mayor seguridad, los pasos siguientes deberán realizarlos dos personas. Si trata de tensar el cable usted solo, verifique siempre que el freno de mano esté puesto, deje una marcha puesta y apague el vehículo cada vez que salga del mismo para inspeccionar el cable. No salga nunca del vehículo con una carga aplicada al cable. Tensar el cable es fundamental para garantizar una larga vida útil del mismo. Al tensarse el cable se evitará que las capas de vueltas exteriores del mismo pellizquen o deformen las capas interiores.

6) Procure enrollar cada vuelta parejamente para evitar daños al cable.

7) Pase el control remoto a través de la ventanilla del conductor para que pueda usarlo el conductor del vehículo. Pida a su ayudante que se ponga en la parte lateral del vehículo, alejado del cable del cabrestante. Su ayudante deberá indicarle si el cable se está enrollando correctamente al verlo pasar por la guía. Arranque el vehículo y ponga la transmisión en punto muerto. Suelte el freno de mano mientras que presiona moderadamente el pedal del freno. Pulse el botón de enrollar en el control remoto. Después de enrollar aproximadamente 2 metros (6 pies) de cable, pare el enrollado. Lentamente deje de presionar el pedal del freno para aplicar el freno de mano. Esto asegurará que no haya carga en el cable del cabrestante. A continuación, ponga la transmisión en aparcado (vehículos automáticos) o ponga una velocidad con la palanca de cambios y apague el vehículo. Salga del vehículo y asegúrese de que el

cable del cabrestante esté enrollándose parejamente en el tambor y no hundiéndose en la capa inferior. Si el cable se está hundiendo, desenróllelo y repita este paso desde el principio con más presión en el pedal del freno.

8) Cuando esté convencido de que el cable está enrollándose correctamente en el tambor, repita el paso 6 hasta que el vehículo se encuentre a 2 metros (6 pies) del anclaje del cabrestante. Una vez esté a 2 metros (6 pies), lentamente deje de presionar el pedal del freno para aplicar el freno de mano. Esto asegurará que no hay carga en el cable del cabrestante. A continuación, ponga la transmisión en aparcado (vehículos automáticos) o ponga una velocidad con la palanca de cambios y apague el vehículo. Salga del vehículo. Desenganche el gancho del punto de anclaje. Mientras que agarra la correa del gancho (incluida con el producto), mantenga la tensión en el cable del cabrestante y enróllelo lentamente pulsando el botón de enrollado en el control remoto hasta que el gancho se encuentre a 1 metro (3 pies) de la guía. Pare el enrollado y acople el gancho al punto de anclaje apropiado en el vehículo. **NO PERMITA QUE EL GANCHO TOQUE LA GUÍA.** Esto podría causar daños a la guía. Una vez que el gancho esté bien acoplado al vehículo, enrolle el resto del cable suelto pulsando el botón de enrollado en el control remoto hasta que haya una holgura mínima en el cable.

## ENROLLADO

## DESENROLLADO

• Generalmente, el desenrollado manual es la forma más rápida y sencilla de sacar el cable hacia afuera. Antes de proceder al desenrollado manual, saque suficiente cable a fin de eliminar cualquier tensión a la que pueda estar sometido el mismo. Quite el embrague. A continuación, proceda al desenrollado manual, sacando manualmente suficiente cable para la operación. Deje siempre al menos 5 vueltas alrededor del tambor.

## ENROLLADO CON CARGA

- No exceda nunca los límites de tiro del cable del cabrestante.
- Enrolle el cable uniformemente y bien tensado alrededor del tambor. Esto evita que las vueltas más externas del cable se traben con las vueltas internas; asimismo, evita atascamientos y daños al cable.
- Evite las sacudidas de la carga cuando esté enrollando; para ello, utilice el control remoto de forma intermitente a fin de tensar y hacer entrar las porciones del cable que puedan quedar flojas. Las sacudidas de la carga pueden sobrepasar momentáneamente la capacidad nominal del cabrestante y del cable.

## ENROLLADO SIN CARGA

- **Con ayuda:** haga que su ayudante sujete el gancho y la correa del mismo, tensando el cable de forma constante y tanto como sea posible. Manteniendo tenso el cable, el ayudante debe caminar hacia el cabrestante mientras usted acciona el control remoto para enrollar el cable. **Suelte el conmutador cuando el gancho esté a una distancia mínima de 8 pies (2,44 m) de la abertura de la guía.** Luego, enrolle la parte final del cable para su almacenamiento.
- **Sin ayuda:** disponga el cable de forma que no se doble ni se trabe al enrollarlo. Asegúrese de que el cable ya enrollado alrededor del tambor esté bien tenso y dispuesto en capas uniformes. Enrolle el cable lo suficiente para formar la siguiente capa completa alrededor del tambor. **Tense y enderece la capa. Repita este proceso hasta que el gancho quede a una distancia mínima de 8 pies (2,44 m) de la guía para el cable.** Luego, enrolle la parte final del cable para su almacenamiento.

## ENROLLADO DE LA PARTE FINAL PARA EL ALMACENAMIENTO

- Fije el gancho en un punto de anclaje adecuado cercano al cabrestante. Con mucho cuidado, vaya enrollando la parte final del cable activando y desactivando repetidamente el control remoto a fin de enrollar la parte floja final. Asegúrese de no tensar en exceso ya que ello podría dañar el cable o el punto de anclaje.

## EMISIONES ACÚSTICAS

- El cabrestante está diseñado de tal forma que las emisiones acústicas audibles desde el emplazamiento del operador no superen los 70 dBa. El usuario debe situarse a 8 pies (2,44 m), por lo menos, del cabrestante. Si el cabrestante excede 70 dBa desde el lugar donde se encuentra el usuario, llévelo a un centro de servicio autorizado para ser inspeccionado.



Når du læser disse anvisninger, vil du se steder med ADVARSEL, FORSIGTIG, OBS! og BEMÆRK. Alle meddelelser har et bestemt formål. ADVARSEL er en sikkerhedsmeddelelse, der angiver risikoen for en farlig situation, som kan føre til slemme kvæstelser eller død, hvis den ikke undgås. FORSIGTIG er en sikkerhedsmeddelelse, som angiver risikoen for en farlig situation, som kan føre til mindre eller moderate kvæstelser, hvis den ikke undgås. FORSIGTIG kan også bruges til at advare mod usikker praksis. FORSIGTIG og ADVARSEL identificerer faren, angiver hvordan den skal undgås og gør opmærksom på den sandsynlige konsekvens, hvis faren ikke undgås. OBS! er en meddelelse om at undgå ejendomsskade. BEMÆRK angiver ekstra information, som kan være nyttigt ved udførelse af en procedure. **VÆR SIKKERHEDSBEVIDST UNDER ARBEJDET!**

 <b>ADVARSEL</b>	
	
<b>KEMIKALIE- OG BRANDFARE</b>	
<p>Undladelse af at overholde disse instruktioner kan føre til alvorlige kvæstelser eller dødsfald.</p> <ul style="list-style-type: none"> <li>• Fjern altid smykker og brug øjenbeskyttelse.</li> <li>• Læn aldrig ind over batteriet, når forbindelser foretages.</li> <li>• Bekræft altid at området er fri af brændstofsør, brændstoftanken, bremseslanger, elektriske ledninger, osv. under boring.</li> <li>• Før aldrig el-kabler:             <ul style="list-style-type: none"> <li>- Over skarpe kanter.</li> <li>- Gennem eller tæt ved dele i bevægelse.</li> <li>- Tæt ved dele, som bliver varme.</li> </ul> </li> <li>• Isolér altid og beskyt alle blottede ledninger og elektriske klemmer.</li> <li>• Installer altid klemmestøvler som angivet i installationsinstruktionerne.</li> </ul>	

 <b>ADVARSEL</b>		
		
<b>FARE FOR INDVIKLING MED DELE I BEVÆGELSE.</b>		
<p>Undladelse af at overholde disse instruktioner kan føre til alvorlige kvæstelser eller dødsfald.</p> <p>Sådan undgås beskadigelse af hænder og fingre:</p> <ul style="list-style-type: none"> <li>• Hold altid hænder fri af wirekablet, krog-løkken, krog- og rulleklydsåbningen under montering, betjening og spoling ind eller ud.</li> <li>• Vær altid yderst forsigtig ved håndtering af krogen og wirekablet under spoling.</li> <li>• Brug altid vedlagte krogstrop, når wirekablet spoles ind eller ud, under montering eller betjening for at undgå beskadigelse af hænder eller fingre.</li> </ul>		

 <b>ADVARSEL</b>	
	
<b>FALD- ELLER KNUSNINGSAFARER</b>	
<p>Undladelse af at overholde disse instruktioner kan føre til alvorlige kvæstelser eller dødsfald.</p> <ul style="list-style-type: none"> <li>• Betjen aldrig spillet med mindre end 5 vindinger reb omkring tromlen. Rebet kan løsne sig fra tromlen, da fastgørelsen på tromlen ikke er beregnet til at holde en belastning.</li> <li>• Brug aldrig et overliggende hejseværk til ophæng af en belastning.</li> <li>• Brug aldrig til at løfte eller flytte personer.</li> </ul>	

**FORSIGTIG****FARE FOR INDVIKLING MED DELE I BEVÆGELSE**

Undladelse af at overholde disse instruktioner kan føre til mindre eller moderate kvæstelser.

**Almen sikkerhed:**

- Vær altid bekendt med spillet: Tag dig tid til at læse og forstå vedlagte Installations- og betjeningsvejledning og Grundlæggende vejledning i spilteknikker, for at lære spillet og dets funktion at kende.
- Betjen aldrig dette spil, hvis du er under 16 år.
- Betjen aldrig dette spil, hvis du er påvirket af stoffer, spiritus eller medicin.
- Overskrid aldrig spillets eller wirekablets mærkekapacitet. Brug to linier med en løfteblok for at reducere belastningen på spillet.

**Installationssikkerhed:**

- Vælg altid et monteringssted, der er stærkt nok til at modstå spillets maksimale trækcapacitet.
- Brug altid fabriksgodkendte kontakter, fjernkontroller, tilbehør og monteringskomponenter.
- Brug altid grad 5 eller bedre beslag, splejs aldrig bolte og brug aldrig bolte, som er længere end de fabriksvedlagte.
- Fuldfør altid spilmontering og påsætning af løkken mellem kroge inden spillets elektriske installation under montering.
- Placér altid rulleklydset med ADVARSEL-mærket på toppen.
- Spol altid wirekablet på tromlen, som angivet på tromlerotationsmærket på spillet. Det er nødvendigt for funktion af den automatiske bremse (hvis spillet er udstyret dermed) og for korrekt installationsorientering.
- Forstræk altid wirekablet og spol det igen under belastning inden brug. Stram omvikling af wirekablet reducerer risiko for "binding", hvilket vil sige, at wirekablet er ved at danne et løst omviklet wirekabel og kan gribe fat i eller beskadige sig selv.

**FORSIGTIG****FARE FOR INDVIKLING MED DELE I BEVÆGELSE**

Undladelse af at overholde disse instruktioner kan føre til mindre eller moderate kvæstelser.

**Spilbetjeningsikkerhed:**

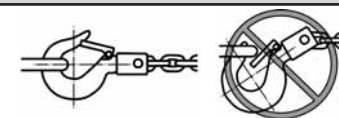
- Efterse altid spilinstallationen, wirekablets og krogens tilstand før betjening af spillet. Trævlet, kinket eller beskadiget wirekabel skal udskiftes øjeblikkeligt. Løs eller beskadiget spilmontering skal korrigeres øjeblikkeligt. Udskift øjeblikkeligt en krog, som er beskadiget, bøjet eller forvredet.
- Efterlad aldrig fjernkontrollen koblet til spillet under frispoling, rigning eller tomgang.
- Wirekablet må ikke vikles ind i sig selv. Dette vil beskadige wirekablet. Brug altid en chokerkæde, et chokerbånd af stål eller en træstammebeskytter på forankringen.
- Fjern altid genstande, som kan forårsage interferens med sikker spilbetjening inden brug af spillet.
- Tag dig altid god tid under rigning til træk med spillet.
- Sørg altid for at den forankring, som vælges, kan modstå belastningen, og at stroppen eller kæden ikke vil glide.
- Frikoblingen må ikke aktiveres eller udløses, hvis spillet er belastet, wirekablet er spændt eller wirekabeltromlen er i bevægelse.
- Spol altid så meget wirekabel som muligt ud under rigning. Brug to linier eller vælg et fjernt forankringspunkt.
- Hold altid afstand fra wirekabel og last under betjening.
- Undgå at berøre wirekablet eller krogen, når de er under spænding eller belastning.
- Rør aldrig ved wirekablet eller krogen, når en anden person er ved kontrolkontakten eller under betjening af spillet.
- Rør aldrig ved wirekablet eller krogen, når fjernkontrollen er koblet til spillet.

**FORSIGTIG****FARE FOR INDVIKLING MED DELE I BEVÆGELSE**

Undladelse af at overholde disse instruktioner kan føre til mindre eller moderate kvæstelser.

**Spilbetjeningsikkerhed:**

- Kræv altid at operatøren og tilskuere skal være opmærksomme på lastens og/eller køretøjets stabilitet.
- Hold altid fjernkontrollens ledning fri af tromlen, wirekablet og rigning. Undersøg for revner, klemningspunkter, trævleder kabler eller løse forbindelser. Skift ud hvis beskadiget.
- Passér altid fjernkontrollen gennem et vindue for at undgå klemning af ledningen i døren, når fjernkontrollen bruges inde i køretøjet.

**FORSIGTIG****FARE FOR INDVIKLING MED DELE I BEVÆGELSE**

Undladelse af at overholde disse instruktioner kan føre til mindre eller moderate kvæstelser.

- Belast aldrig spidsen af krogen eller låsen. Belast kun midten af krogen.
- Brug aldrig en krog, hvis halsåbning er forøget, eller hvis spids er bøjet eller forvredet.

**FORSIGTIG****SKÆRINGS- OG FORBRÆNDINGSFARE**

Undladelse af at overholde disse instruktioner kan føre til mindre eller moderate kvæstelser.

**Sådan undgås beskadigelse af hænder og fingre:**

- Brug altid stærke læderhandsker under håndtering af et wirekabel.
- Lad aldrig wirekabel glide gennem hænderne.

**Sådan undgås beskadigelse af hænder og fingre:**

- Vær altid opmærksom på mulige, varme overflader på spilmotoren, tromlen eller wirekablet under eller efter brug af spillet.

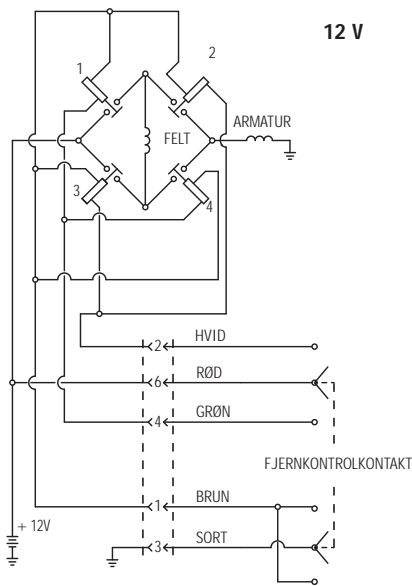
**BEMÆRK****UNDGÅ SPIL- OG Udstyrsbeskadigelse**

- Undgå altid uafbrudte træk til siden, hvilket kan stable wirekabel op på den ende side af tromlen. Dette kan beskadige wirekablet eller spillet.
- Sørg altid for at frikoblingen er helt i indgreb eller udløst.
- Spillet må aldrig bruges til at slæbe andre køretøjer. Stødbelastninger kan midlertidigt overskride wirekablets og spillets kapacitet.
- Vær altid forsigtig med ikke at beskadige rammen, når køretøjet forankres under betjening af spillet.
- Wirekablet må aldrig "jogges" (køres langsomt) under belastning. Stødbelastninger kan midlertidigt overskride wirekablets og spillets kapacitet.
- Brug aldrig spillet til at fastholde en belastning under transport
- Sænk aldrig spillet ned i vand.
- Fjernkontrollen skal altid opbevares i et beskyttet område, som er rent og tørt.

## Montering af Spillet

- Vælg et monteringssted, der er stærkt nok til at modstå de belastninger, som du har til hensigt at trække.
- **Find diagrammerne til dit spil på de følgende sider. Brug venligst dem for at opnå korrekt orientering.** Kun den viste monteringsorientering er mulig for sikker spilbetjening. Alle andre orienteringer er forkerte og uegnede.
- Stålkablet skal altid spoles på tromlen, som angivet på tromlerotationsmærkatet på spillet.
- Brug af de anbefalede kombinationer af bolte og låseskiver vil forhindre vibration under betjening, når de er drejet til de anbefalede drejningsmomenter. **Find diagrammerne over dit spil på de følgende sider. Brug venligst dem for at opnå korrekte drejningsmomentniveauer.**

## ELEKTRISK KREDSLØBSDIAGRAM



## Elektriske Forbindelser

- Sørg for at bruge isoleringsmanchetter på udsatte forbindelser for at forhindre elektriske kortslutninger. Før batteriets forbindelseskabler gennem områder, hvor isoleringen ikke vil blive trævlet eller gennemskåret og derved føre til en mulig kortslutning.
- Efter fuldførelse af installationen, skal det kontrolleres, at spillet fungerer korrekt.

**⚠ ADVARSEL**

**Sådan undgås alvorlige kvæstelser eller død på grund af en elektrisk brand:**

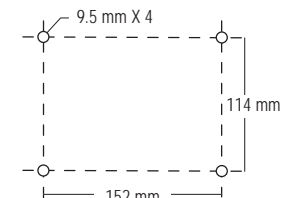
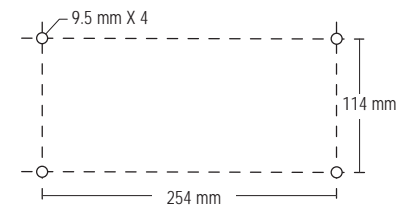
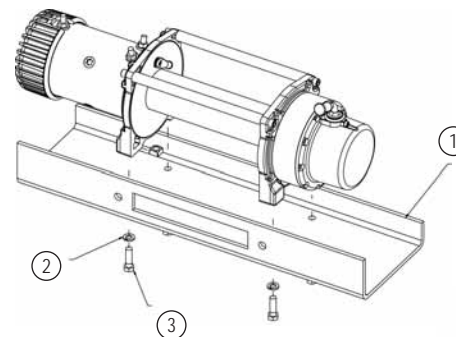
- Før aldrig el-kabler:
  - Over skarpe kanter.
  - Gennem eller tæt ved dele i bevægelse.
  - Tæt ved dele, som bliver varme.
- Isolér altid og beskyt alle blottede ledninger og elektriske klemmer.
- Installer altid klemmestøvlere som angivet i installationsinstruktionerne.

## Monteringssted:

- (1) Jævn og flad, tykkelse = 6,4 mm
- (2) 9,5 mm låseskive X 4
- (3) 3/8-16 X 1 1/4 tomme lang, klasse 5 bolt x 4 moment 41-47 Nm.

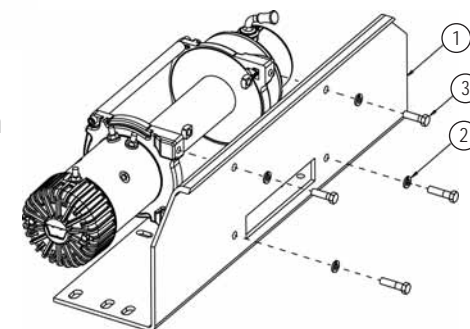
## Skabelon for monteringsbolte:

254 mm x 114,3 mm  
152 mm x 114,3 mm

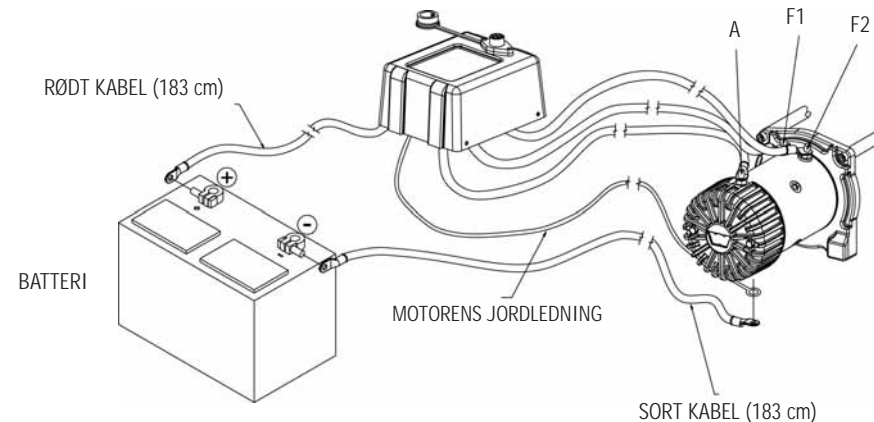


## Installation af solenoidpakken

- Monter kontrolpakken i henhold til instruktionerne, som kom sammen med WARN monteringssystemet. Brug bøjlen, som kom sammen med sættet.
- Hvis kontrolpakken skal monteres direkte på spillet, bestil kontrolpakkebøjle, reservedelsnummer 26368.
- Kontrolpakkens monteringsbeslag kan også flyttes til de ubrugte huller i kontrolpakkens baseplade for yderligere monteringsfleksibilitet.



## ELEKTRISKE FORBINDELSER

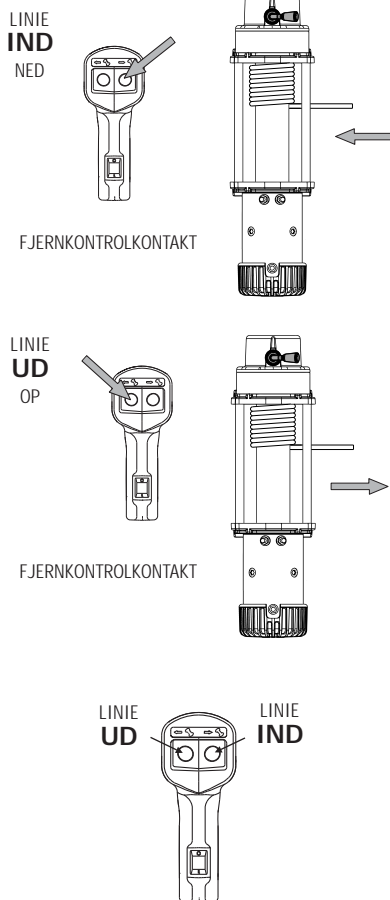


## ! FORSIGTIG

**VÆR ALTID BEKENDT MED SPILLET:**  
Tag dig tid til at læse og forstå vedlagte Installations- og betjeningsvejledning og Grundlæggende vejledning i spilteknikker, for at lære spillet og dets funktion at kende.

### FJERNKONTROLAFBRYDER

Træk stikket fra fjernkontrollen ud af spillet når enhederne ikke bruges. Hvis man lader fjernkontrollen være forbundet, så kan der opstå en farlig situation og/eller batteriet vil blive afladet.



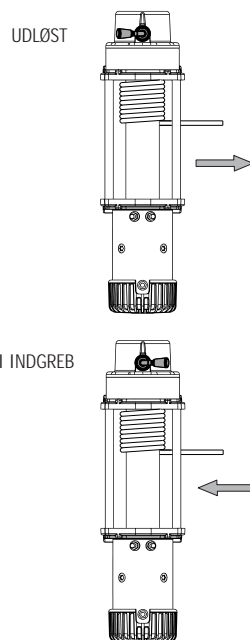
### KOBLINGSBETJENING

Når frikoblingen er i indgreb, er gearudvekslingen koblet til wrens tromle, og kraft kan overføres fra spilmotoren. Under frispoling er gearudvekslingen og stålwirens tromle ikke tilkoblet, hvilket gør det muligt for tromlen at rotere frit. Koblingsgrebet, som findes på spilhuset modsat motoren, styrer koblingspositionen. Undgå skade ved altid at sætte koblingsgrebet helt i indgreb og udløse det helt.

## ! FORSIGTIG

Sådan undgås mindre eller moderate kvæstelser:

- Frikoblingen må ikke aktiveres eller udløses, hvis spillet er belastet, wirekablet er spændt eller wirekablet tromlen er i bevægelse.



### OVERBELASTNING/OVEROPHEDNING

Dette spil er normeret til intermitterende drift. Når motoren er ved at gå i stå, forekommer der meget voldsom varmeopbygning, hvilket kan føre til motorskade.

Rigning af to linier (se Grundlæggende vejledning i spilteknikker) vil reducere ampereforbruget og reducere varmeopbygningen i motoren. Dette giver mulighed for kontinuerlig brug gennem længere tid.

### RENGØRING

- Spul ikke med højtryksvand (fra f.eks. højtryksrensere og bilspulere) direkte mellem trommesupporten og trommeflangeren eller koblingsarmen.
- Brug lavtryksvand og en klud eller svamp med sæbe til at rense spillet med.
- Undgå at bruge kemikalier da dette kan ødelægge overfladebehandlingen.
- Rens omhyggeligt al salt af spillet så hurtigt som muligt for at undgå rust.

### BATTERIANBEFALINGER

Et helt opladet batteri og gode forbindelser er absolut nødvendigt for korrekt betjening af spillet. Minimumskravet for et 12 volt DC batteri er 650 koldstartampere.

### VEDLIGEHOLDELSE

- Spillet kræver ingen smøremidler, med mindre det har været under vand. Hvis dette sker, skal et kvalificeret servicecenter udføre service snarest muligt i et forsøg på at undgå korrosionsskade. Hvis relækassen nedsænkes, skal den udskiftes, når spillet repareres.
- Kontrollér batteriledninger og elektriske forbindelser hver 3. måned for at sikre dig, at de er rene og sidder godt fast på alle forbindelsespunkter.
- Efterse stålwiren før og efter spilbetjening. Hvis wiren er beskadiget, udskiftes den med størrelsen angivet på reservedelslisten.
- Stålkablet skal altid spoles på tromlen, som angivet på tromlerotationsmærket på spillet.

### SPILBETJENING

## ! ADVARSEL

Sådan undgås alvorlige kvæstelser eller dødsfald:



- Brug aldrig spillet, hvis ikke wirekablet er viklet mindst 5 gange omkring tromlen, da wirekablet kan løsnes fra tromlen.

## ! FORSIGTIG

Sådan undgås mindre eller moderate kvæstelser:



- Brug altid stærke læderhandsker under håndtering af et wirekabel.

### SIKRE ARBEJDSSTATIONER FOR OPERATØREN

Operatøren bør altid betjene spillet fra en sikker position, mens belastningen trækkes. De sikre områder er vinkelrette med stålwiren eller i køretøjet med motorhjelm oppe (hvis spillet er monteret foran på køretøjet). Dette vil hjælpe med at forhindre, at stålwiren rammer operatøren, hvis det svigter under belastningen. Spillet skal, når det er muligt, betjenes fra enden af fjernkontrollens rækkevidde. Operatøren skal være mindst 2,44m fra spillet under betjening. Dette vil forhindre indvikling med rulleklydset og holde operatøren på sikker afstand under trækning af lasten. **Der må ikke arbejdes omkring stålwiren, når den er under belastning.**

## UDSTRÆKNING AF STÅLKABLET



## ADVARSEL

Sådan undgås alvorlige kvæstelser eller dødsfald:

- Hold altid hænder fri af wirekablet, krogsløkken, krog- og rulleklydsåbningen under montering, betjening og spoling ind eller ud.
- Vær altid yderst forsigtig ved håndtering af krogen og wirekablet under spoling.
- Brug altid vedlagte krogstrop, når wirekablet spoles ind eller ud, under montering eller betjening for at undgå beskadigelse af hænder eller fingre.
- Brug aldrig spillet, hvis ikke wirekablet er viklet mindst 5 gange omkring tromlen, da wirekablet kan løsnes fra tromlen.





Stålkablets levetid er direkte forbundet med den brug og pleje, det gives. Den første gang et nyt stålkabel bruges, skal det spoles på tromlen med en belastning på mindst 450 kg. Følg nedenstående anvisninger for at strække stålkablet korrekt på tromlen.

1) Vælg et sted til arbejdet, som er **FLADT** og stort nok til at hele kablets længde kan rulles ud.

2) Drej koblingsgrebet på spillet til "frispolingsstilling". Stålkablet spoles ud, indtil det kun er viklet 5 gange omkring tromlen. Når kablet er spolet ud, skiftes koblingsgrebet på spillet til "koblet til".

3) Spilkrogen for enden af kablet fastgøres til et passende forankringspunkt, og køretøjet bakkedes ud, indtil kablet er næsten stramt. Før du stiger ud af køretøjet skal parkeringsbremsen sættes til, køretøjet skal være sat i gear eller parkering og motoren slukket.

4) Fjernkontrollen sluttes til spillet. Stå et par meter fra spillet, og tænd for det, indtil alt løst kabel er viklet om tromlen. Fjernkontrollen kobles fra spillet. Hold kablet stramt med den ene hånd, og skub forsigtigt kablet til den side af tromlen, som kablet er fastgjort til, så der ikke er mellemrum mellem vindingerne på tromlen. Se efter, at kablet kommer af tromlens underside, ikke oversiden, ellers vil den automatiske belastningsbremse ikke virke rigtigt (hvis kablet spoler af tromlens overside, har du spolet spillet med "out" i stedet for "in" på fjernbetjeningen).

5) De følgende trin bør udføres af to personer for bedre sikkerhed. Hvis du prøver at belaste kablet alene, skal du altid være sikker på, at du har sat parkeringsbremsen til, sat køretøjet i gear og slukket for motoren, hver gang du stiger ud af køretøjet for at holde øje med spillets kabel. Stig aldrig ud fra køretøjet med belastning på spillets stålkabel. Opstramning af stålkablet er kritisk for at sikre lang levetid. Opstramning af stålkablet vil afholde kablets ydre lag fra at stramme på og deformere de indre lag.

6) Udvis forsigtighed med at opspole hvert enkelt lag ensartet, således at beskadigelse af kablet undgås.

7) Ræk fjernbetjeningen ind gennem førerens vindue, så føreren kan bruge den. Anvis hjælperen om at stå ved siden af køretøjet og væk fra kablet. Hjælperen skal signalere, hvorvidt kablet spoles rigtigt ind ved at iagttage det, mens det går ind over styrerullen. Start køretøjet og sæt det i frigeat. Udløs parkeringsbremsen, og træd med moderat tryk på bremsepedalen. Tryk på "power in" på fjernbetjeningen. Stop efter opspoling af ca. 2 m. Tag langsomt foden af bremsepedalen og sæt parkeringsbremsen til. Dette vil sikre, at der ingen belastning er på kablet. Placer så køretøjet enten i gear eller parkering og sluk for motoren. Stig ud af køretøjet og se efter, at kablet bliver spolet ensartet op på tromlen, og ikke synker ned i det underliggende lag. Hvis kablet synker ned, skal det spoles ud igen, og spoles ind igen fra begyndelsen med mere tryk på bremsepedalen.

8) Når du har sikret dig, at kablet spoles rigtigt på tommetromlen, gentages trin 6 indtil køretøjet er inden for 2 m af spillets forankringspunkt. Når det er inden for 2 m tager man langsomt foden af bremsepedalen og sætter parkeringsbremsen til. Dette vil sikre, at der ingen belastning er på kablet. Placer så køretøjet enten i gear eller parkering og sluk for motoren. Stig ud af køretøjet. Kobl krogen fra forankringspunktet. Idet der holdes fast i den medleverede strop til krogen, holdes kablet stramt, og spoles ind til ca. 1 m ved stødvist at tænde for fjernbetjeningen, indtil krogen er inden for 1 m fra styrerullen. Stands opspoling og fastgør krogen til et passende forankringspunkt på køretøjet. **KROGEN MÅ IKKE SPOLES IND I STYRERULLEN.** Dette kunne beskadige styrerullen. Når krogen er hensigtsmæssigt fastgjort til køretøjet, spoles slapt kabel ind ved stødvist at tænde for fjernbetjeningen, indtil kablet er næsten stramt.

## SPOLING

## UDSPOLING

• Frispoling er normalt den hurtigste og nemmeste måde at spole wiren ud på. Før stålwiren frispoler af spillet, skal der spoles tilstrækkelig wire ud for at fjerne eventuel spænding fra stålwiren. Udløs koblingen. Frispol nu manuelt ved at spole nok stålkabel ud til at fuldføre spilbetjeningen. Kablet skal altid være viklet omkring tromlen mindst 5 gange.

## INDSPOLING UNDER BELASTNING

- Spillets normerede linietræk må ikke overskrides.
- Spol wiren ind, så den vikles jævnt og stramt omkring tromlen. Dette forhindrer, at de ydre wireomviklinger trækkes ind i de indvendige wireomviklinger, binding og beskadigelse af stålwiren.
- Undgå stødbelastninger under spoling ved at bruge kontrolkontakten intermitterende til opsamling af slaphed i wiren. Stødbelastninger kan midlertidigt overskride spillets og stålkablets trækcapacitet betydeligt.

## INDSPOLING UDEN BELASTNING

- **Assisteret** – Få assistenten til at holde krogen med krogstroppen og anvende så megen konstant spænding på stålkablet som muligt. Samtidigt skal assistenten gå mod spillet, mens du betjener kontrolkontakten og spoler wiren ind. **Slip kontakten når krogen er mindst 2,44 m fra lederullens åbning.** Spol resten ind til opbevaring.
- **Uassisteret** – Arrangér stålwiren til spoling, så det ikke vil blive bøjet eller indviklet under spoling. Sørg for at wiren på tromlen er stram og ligger jævnt. **Spol tilstrækkelig wire ind til at danne hele det næste lag på tromlen. Stram laget til og ret det ud. Gentag processen, indtil krogen er mindst 2,44 m fra rulleklydset.** Spol resten ind til opbevaring.

## INDSPOLING AF RESTEN TIL OPBEVARING

- Fastgør krogen på et egnet forankringspunkt i nærheden af spillet. Træk forsigtigt resten af wiren ind, idet kontrolkontakten anvendes til at opsamle resten af slapheden. Vær forsigtig med ikke at overstramme wiren, da den eller forankringspunktet kan beskadiges.

## STØJEMMISSIONER

- Spillet er konstrueret således, at støjemissioner ikke overskrider 70 dBa fra operatørens station. Operatøren skal være mindst 2,5 m fra spillet under betjening. Hvis spillet overskrider 70 dBa fra operatørens station, skal det efterses af et autoriseret servicecenter.





