



INSTALLATION INSTRUCTIONS
FRONT BAR PART #4061
2003 CHEVY SILVERADO 2500 HD 2/4 WD

PARTS LIST

2- FRAME MOUNTING BRACKETS	2- 3/8 X 1" HEX BOLTS
2- TOP SUPPORT BRACKETS	2- 3/8 HEX NUTS
6- 7/16 X 1 1/4" HEX BOLTS	2- 3/8 FLAT WASHERS
6- 7/16 HEX NUTS	2-1/2"x1 1/2" HEX BOLTS
12- 7/16 FLAT WASHERS	2-1/2" FLAT WASHERS

INSTALLING FRAME BRACKETS

1. Remove factory tow hooks from front section of vehicle (if equipped). Once the tow hooks are removed, proceed to install the frame brackets. Use illustration "1" to identify the correct bracket for each side. The brackets fit inside of the frame as shown in illustration "2". The holes used to fasten the tow hooks to the frame will be used to fasten the brackets.
2. Insert the brackets inside the frame and align the bracket holes with the frame holes and fasten (tight) using the 7/16 x 1 1/4 hex bolts, hex nuts and washers as shown in illustration 2. USE 1/2 bolts & washers for bottom of mount bracket.

INSTALLING THE FRONT BAR

1. Line up the two back holes on the lower portion of the bar with the two of the holes in the frame brackets (inner edge). Attach front bar using 7/16 x 1 1/4" hex bolts, nuts, washers. Hand-tighten only.
2. Open hood and remove the rivets securing the top plastic trim panel (temporarily) from the vehicle to access the factory bumper bolts.
3. proceed to install upper support brackets, remove factory bolts, place driver side bracket into area, re-use factory bolt-using the 3/8 x 1 button bolts to go from bracket up-rights places of grill guard as shown in illustration "3".
4. Align front bar assembly with front of the vehicle and secure all fasteners.
5. Re-attach the plastic trim panel.

ILLUSTRATION

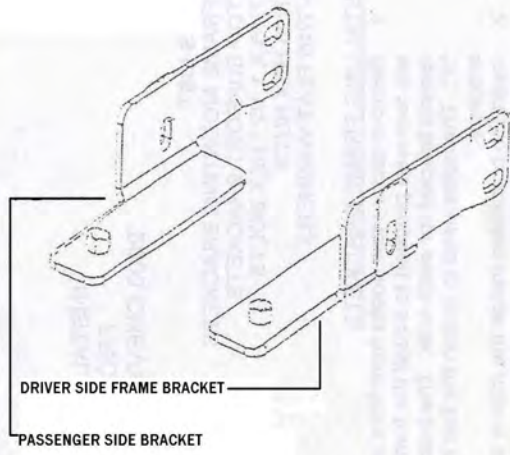


ILLUSTRATION 2

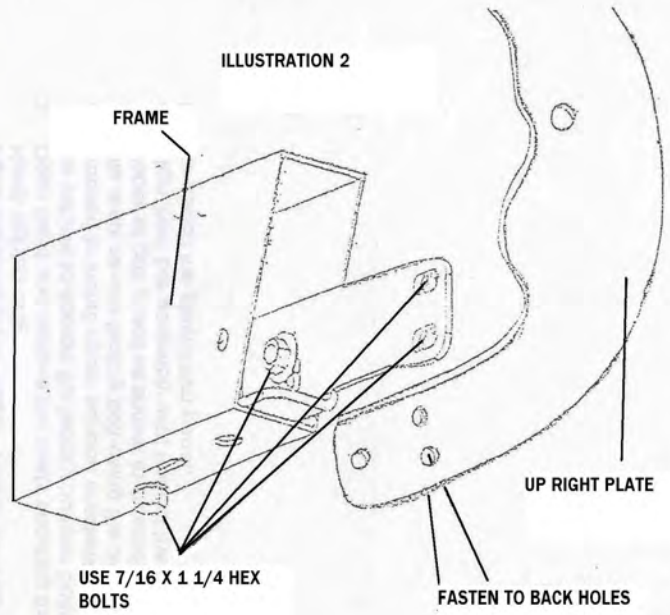
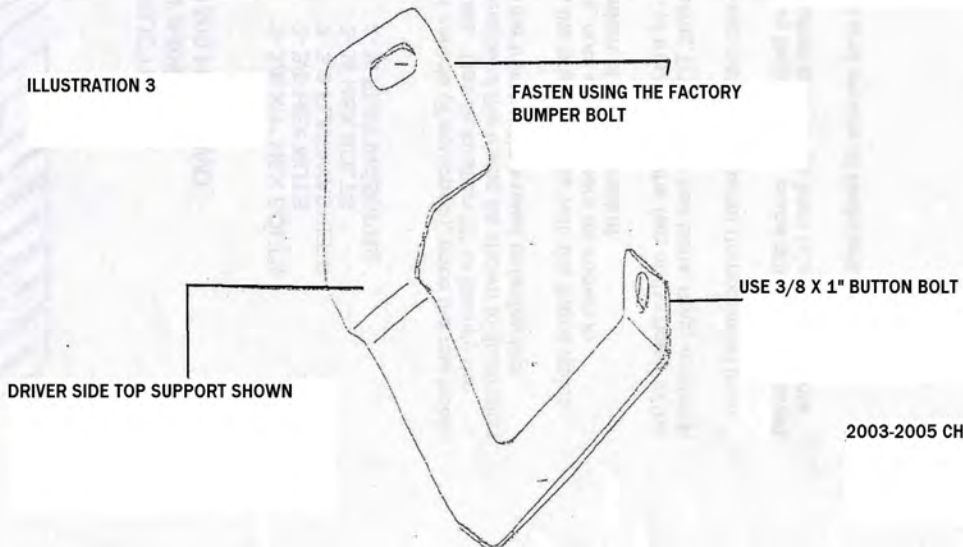


ILLUSTRATION 3



2003-2005 CHEVROLET HD 2500/3500