

INSTALLATION INSTRUCTIONS

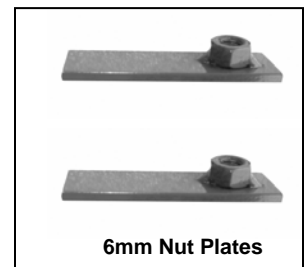
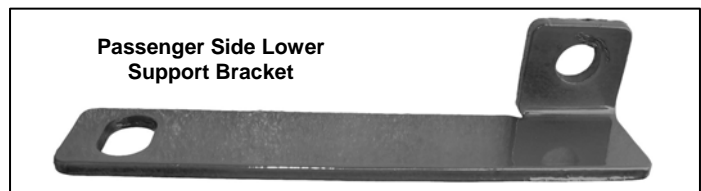
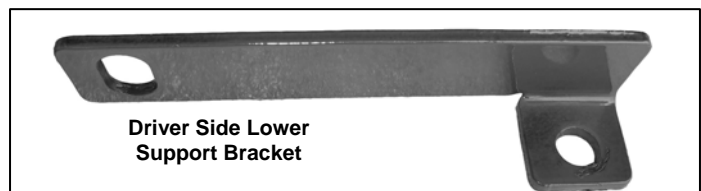
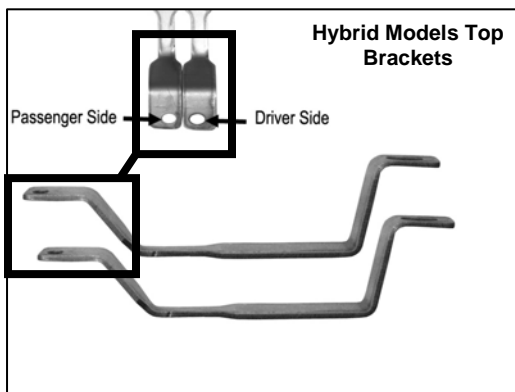
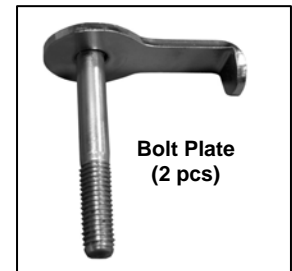
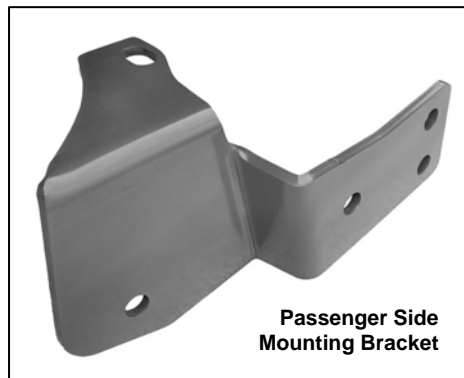
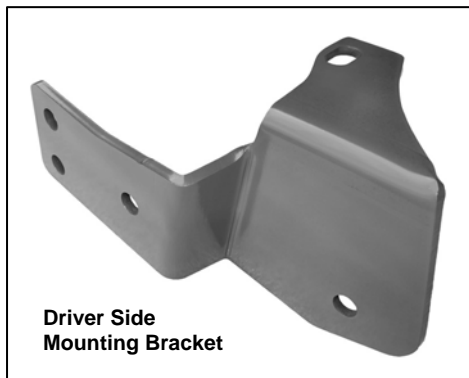
GRILL GUARD

08-ON TOYOTA HIGHLANDER (GAS & HYBRID)

PART NUMBER

PARTS LIST:

1	Grille Guard	10	12mm Nylock Nuts
1	Driver/Left Mounting Bracket	18	12mm ID x 29mm OD x 3mm Flat Washers
1	Passenger/Right Mounting Bracket	2	12-1.75mm x 90mm Bolt Plates
1	Driver/Left Lower Support Bracket	2	12mm ID x 44mm OD x 4mm Fender Washers
1	Passenger/Right Lower Support Bracket	2	8-1.25mm x 30mm Hex Head Bolts
1	Driver/Left Top Bracket	2	8-1.25mm x 25mm Button Head Bolts
1	Passenger/Right Top Bracket	2	8mm Nylock Nuts
2	6mm Nut Plates	4	8mm ID x 22mm OD x 1.5mm Flat Washers
2	10-1.25mm x 35mm Hex Head Bolts	2	6-1.25mm x 30mm Hex Head Bolts
2	10mm OD x 26mm OD x 3mm Flat Washers	2	6mm x 15mm x 2mm Flat Washers
8	12-1.75mm x 30mm Hex Head Bolts	2	6mm Lock Washers



PROCEDURE:

- 1. REMOVE CONTENTS FROM BOX. VERIFY ALL PARTS ARE PRESENT. READ INSTRUCTIONS CAREFULLY BEFORE STARTING INSTALLATION.**
- From underside of vehicle, remove the front plastic rocker guard then place it on a clean working area.
- On top of the cross member bar there is a factory vibration dampener obstructing one of the mounting locations for the Support Brackets. **NOTE:** The vibration dampener is located on the driver side for gas models and on the passenger side for hybrid models. Use a 10mm socket to remove the two factory bolts holding the vibration dampener to the top of the cross member (**Figure 1**).
- Once you have removed the vibration dampener, start installation on the driver side of the vehicle. Insert (1) 12mm x 90mm Bolt Plate through the top of the cross member, (**Figure 3**). **Gas Models:** Re-install the vibration dampener over the Bolt Plate using the factory hardware at this time. **NOTE:** On **hybrid models**, the shifter arm and the shifter cable obstructs the installation of the Bolt Plate. In order to insert the Bolt Plate through the top of the cross member, first make sure that the vehicle is on a level surface, put the emergency brake on, then secure the vehicle by putting blocks on the tires to prevent it from rolling. Turn engine on and shift it to "B" then turn engine off. Insert Bolt Plate then turn engine back on and shift it to park, then turn engine off.
- On the driver side of the vehicle, locate the two factory bolts on the cross member brace towards the bumper and remove the one towards the outside of the vehicle. Position the driver side Mounting Bracket up to the cross member brace. Partially hang Mounting Bracket to previously removed factory bolt location using the included (1) 10-1.25mm x 35mm Hex Head Bolt and (1) 10mm Flat washer (**Figure 3**). Do not tighten at this time.
- Repeat steps 3 & 5 for passenger side. **NOTE: Hybrid Models:** Re-install the suspension dampener after you insert the Bolt Plate through the top of the cross member.
- Once you have partially mounted driver and passenger side Brackets, position the factory plastic rocker guard up to its mounting location and trace the outside of the Mounting Brackets and the mounting location of the Bolt Plates. Use a sharp knife to cut out the traced area for the Mounting Brackets and use a drill with a ½" drill bit to drill out the mounting location for the Bolt Plates on both sides (**Figure 2**).
- Re-install the rock guard onto the bottom of the vehicle over the Mounting Brackets.
- From the bottom of the cross member bar, place the Lower Support Bracket over the previously inserted Bolt Plate and secure it using the included (1) 12mm Nylock Nut and (1) 12mm Flat Washer (**Figure 3**). Do not tighten at this time.
- Attach opposite end of Lower Support Bracket to Mounting Bracket using the included (1) 12mm x 30mm Hex Head Bolt, (1) 12mm Nylock Nut, and (2) 12mm Flat Washers, (**Figure 3**). Do not tighten at this time.
- Repeat steps 9 & 10 for passenger side.
- Open the hood and remove the plastic shroud covering the radiator, (**Figure 4**).

Gas Models:

- Once you have removed the plastic shroud, there are four plastic tabs that hold the grille shell to the radiator support. Remove the outer plastic fasteners, one on each of the outer tabs, (**Figure 5**).
- Insert the driver side Top Bracket through upper right grille shell air intake and orient it to go in between the outer plastic tab and radiator support. Replace the driver side plastic fastener removed in step 13 with the included (1) 6mm x 30mm Hex Head Bolt, (1) 6mm Flat Washer, (1) 6mm Lock Washer and (1) 6mm Nut Plate to attach Top Bracket to vehicle. Repeat this step for passenger side Top Bracket (**Figure 6**).

Hybrid Models:

- Once you have removed the plastic shroud, locate a factory hole on each side of the top radiator support.
- Insert driver side Top Bracket through upper right grille shell air intake and align it to the factory hole in the top of the radiator support. From behind the top of the cross member, insert one of the 6mm Nut Plates into the cross member and align the Nut Plate to the factory hole.
- Secure the Top Bracket to the already inserted Nut Plate using the included (1) 6mm x 30mm Hex Bolt and (1) 6mm Flat Washer and (1) 6mm Lock Washer.

All Models:

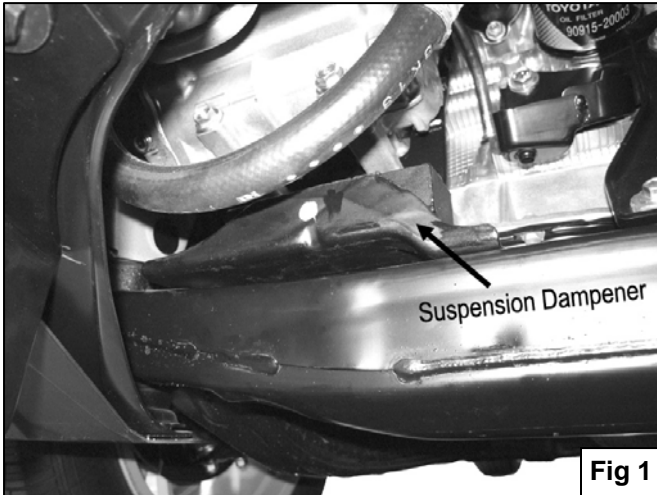
- With help position the Grille Guard on the outer side of the Mounting Brackets. Attach Grille Guard to Mounting Brackets using the included (2) 12mm x 35mm Hex Head Bolts, (2) 12mm Lock Washers, and (4) 12mm Flat Washers (**Figure 7**).
- Attach Grille Guard to Top Brackets using the included (2) 8mm x 25mm Hex Head Bolts, (2) 8mm Flat Washers, and (2) 8mm Nylock Nuts (**Figure 6**).
- Level and adjust Grille Guard; and then tighten all hardware at this time.
- Re-attach plastic shroud back to the vehicle using the factory hardware.
- Do periodic inspections to the installation to make sure that all hardware is secure and tight.

To protect your investment, wax this product after installing. Regular waxing is recommended to add a protective layer over the finish. Do not use any type of polish or wax that may contain abrasives that could damage the finish.

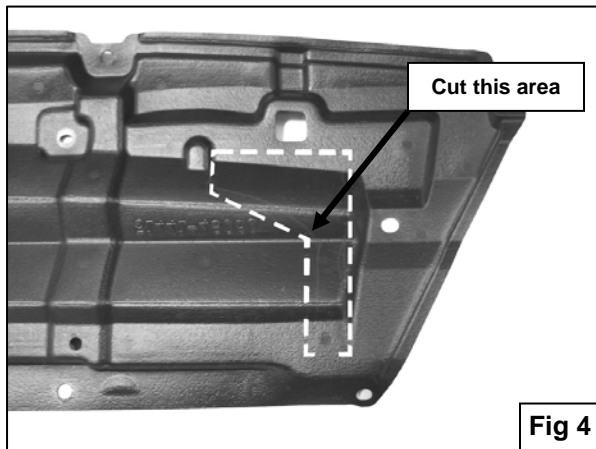
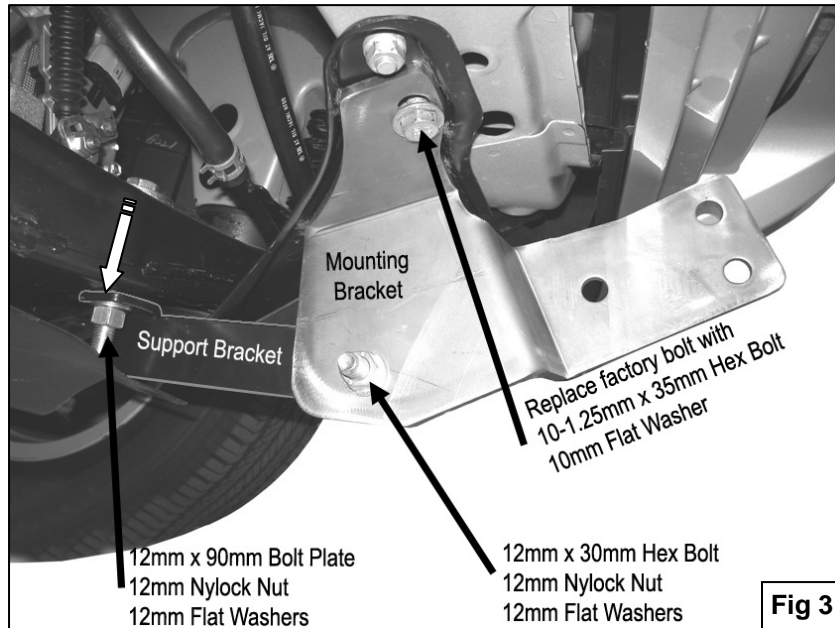
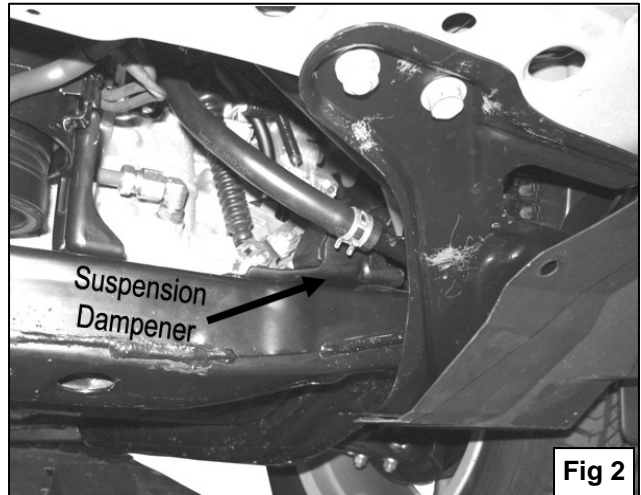
For stainless steel: Aluminum polish may be used to polish small scratches and scuffs on the finish. Mild soap may be used also to clean the Grille Guard.

For gloss black finishes: Mild soap may be used to clean the Grille Guard.

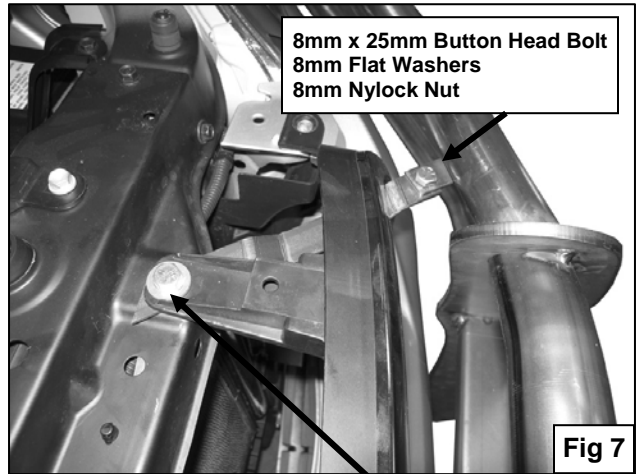
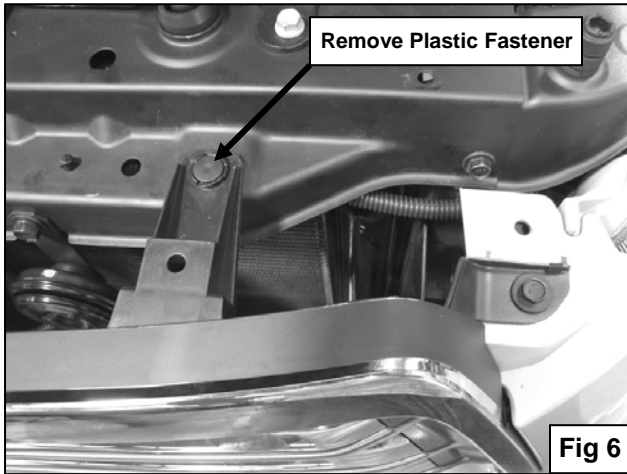
Hybrid Models: The Suspension dampener is located on the left side of the front cross member



Gas Models: The Suspension dampener is located on the right side of the front cross member

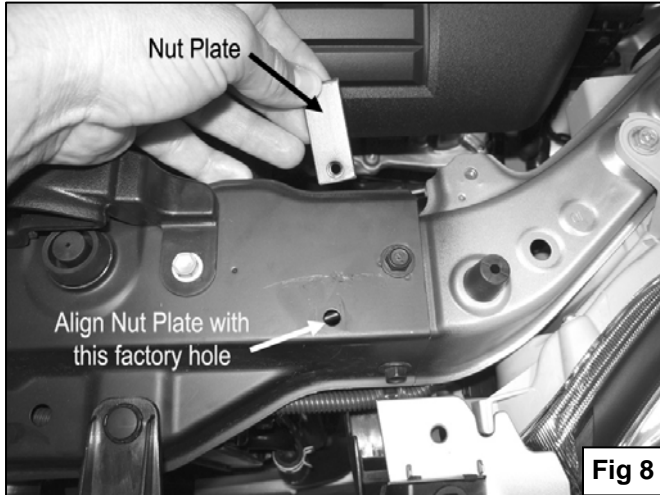


Gas Models Top Bracket Installation Shown



6mm x 30mm Hex Bolt
6mm Flat Washer
6mm Lock Washer
6mm Nut Plate

Hybrid Models Top Bracket Installation Shown



Gas and Hybrid Mounting Bracket Shown

