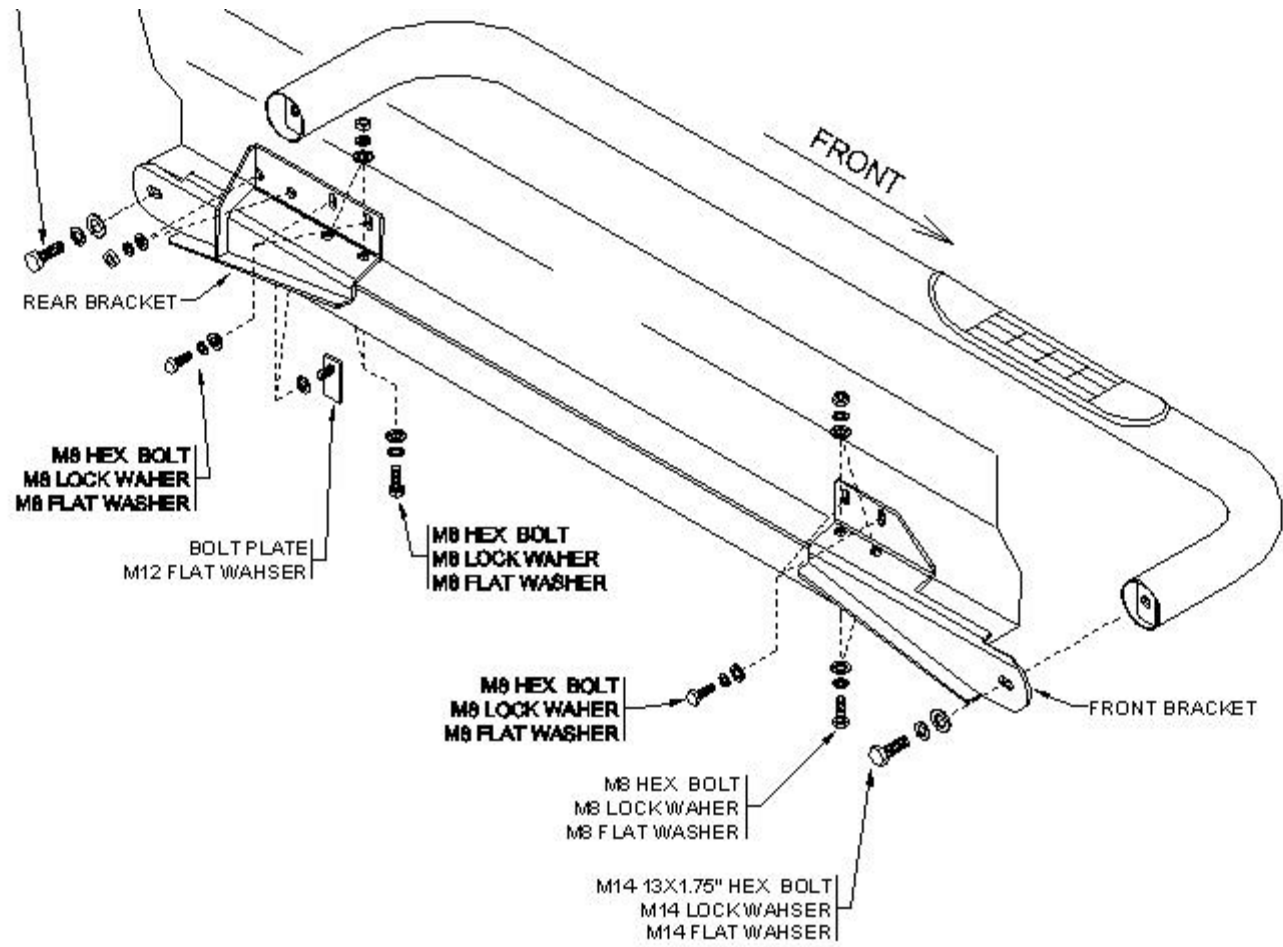


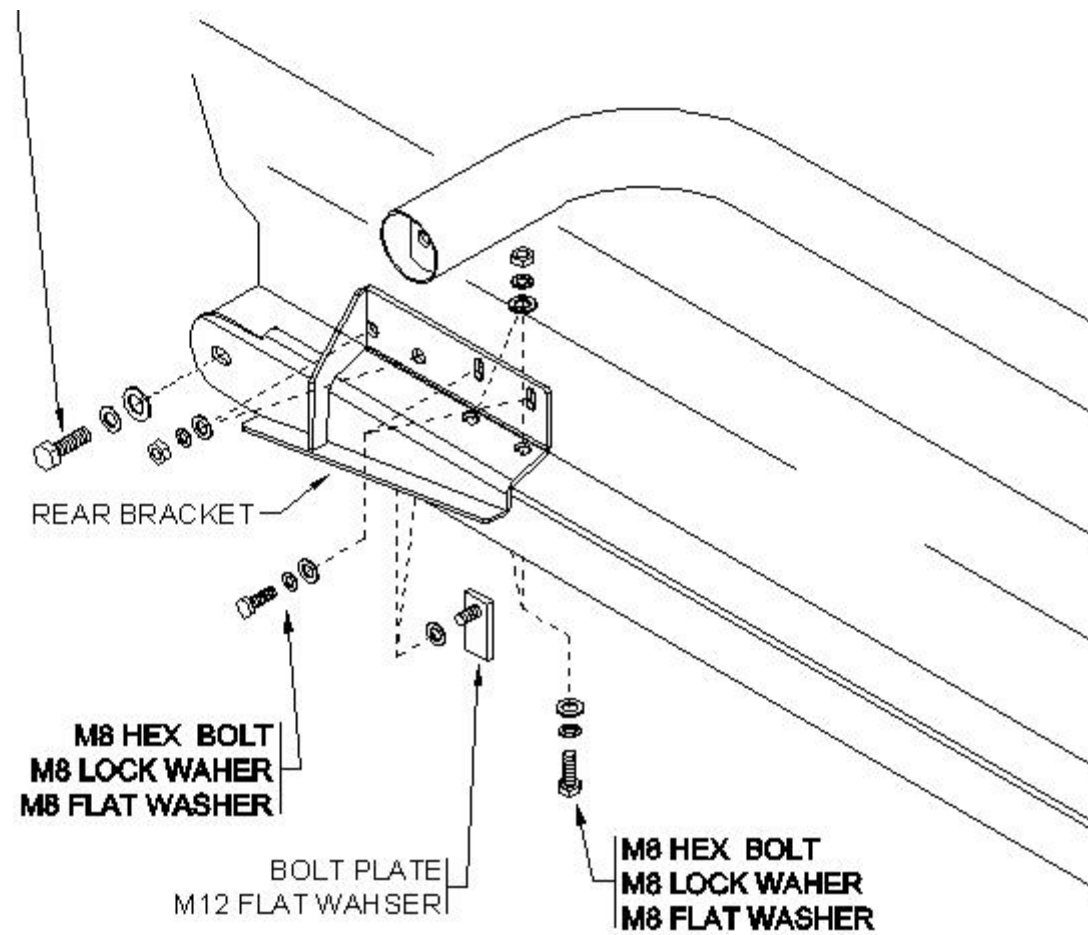
Installation Instruction

Model: 0103-0352

- STEP 1. Remove all contents from the received box and check stainless steel tube for any dent. Also verify all brackets and bolts against the parts list.
- STEP 2. Read installation manual and installation drawing completely. Understand all brackets and bolts before installation.
- STEP 3. Remove all the rubber plugs over mounting holes located on the inside of the vehicle rocker panel. Install bolt plate and M8 "U" nut in to mounting holes as shown.
- STEP 4. Attach front and rear mount bracket by placing bolts through holes as shown. Torque M8 bolts to 20 ft.lbs.
- STEP 5. Fasten step bars to front and rear bracket using M-14 bolts and washers. Torque M14 bolts to 65 ft.lbs.

0103-0352			
Item No.	Part Number	Part Description	QTY
1	0103-0352-01	STEP BAR - DRIVER, SIDE	1
2	0103-0352-02	STEP BAR - PASSENGER SIDE	1
3	0103-0352-03	MOUNT BRACKET-FRONT-DRIVER SIDE	1
4	0103-0352-04	MOUNT BRACKET-FRONT-PASSENGER SIDE	1
5	0103-0352-05	MOUNT BRACKET-REAR-DRIVER SIDE	1
6	0103-0352-06	MOUNT BRACKET-REAR-PASSENGER SIDE	1
7	0103-0352-11	BOLT PLATE	2
8	0103-0352-12	M12 FLAT WASHER	2
9	0103-0352-13	M12 LOCK WASHER	2
10	0103-0352-14	M12 HEX NUT	2
11	0103-0352-15	M8 HEX HEAD BOLT	16
12	0103-0352-16	M8 SPLIT LOCK WASHER	16
13	0103-0352-17	M8 FLAT WASHER	32
14	0103-0352-18	M8 HEX NUT	8
15	0103-0352-19	M8 "U" NUT	8
16	0103-0352-20	M14 HEX HEAD BOLT	4
17	0103-0352-21	M14 LOCK WASHER	4
18	0103-0352-22	M14 FLAT WASHER	4
TOOLS REQUIRED			
1/2" SOCKET / WRENCH			
3/4" SOCKET / WRENCH			
5/32 HEX WRENCH			
RATCHET			
TORQUE WRENCH			





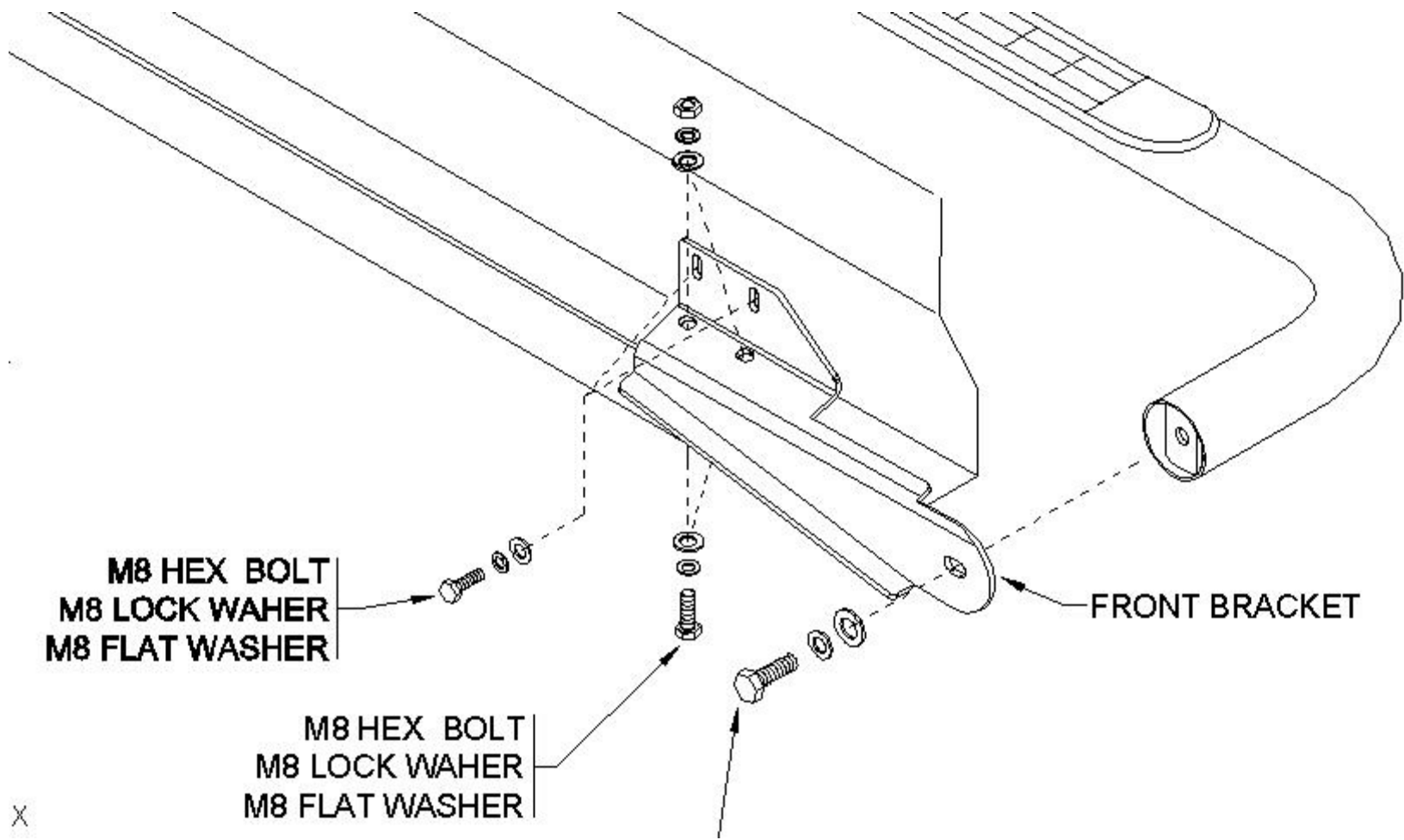
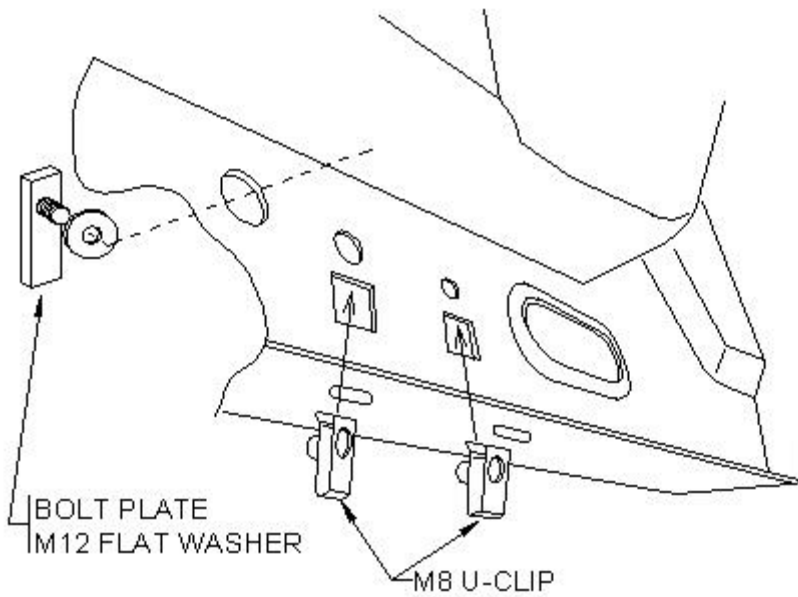
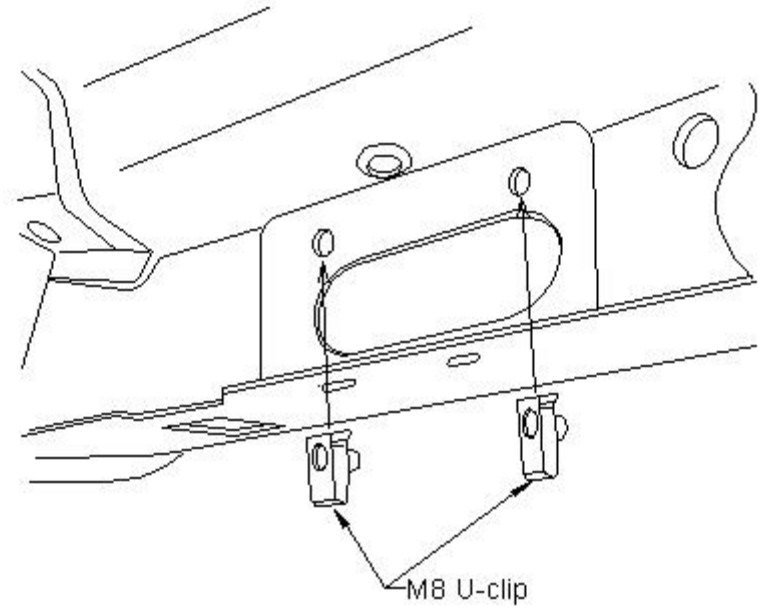


FIGURE 1



DRIVER SIDE, REAR



DRIVER SIDE, FRONT