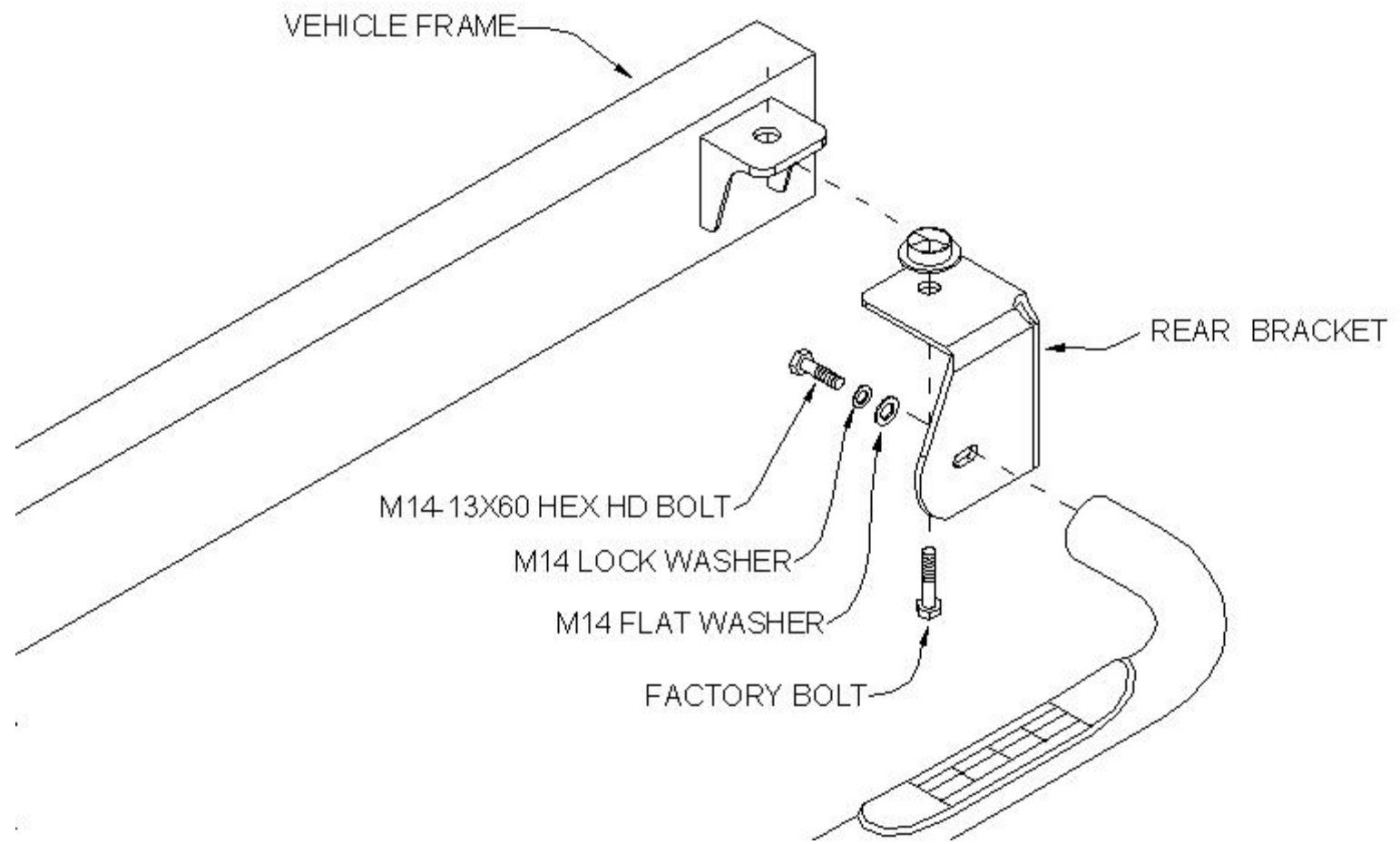


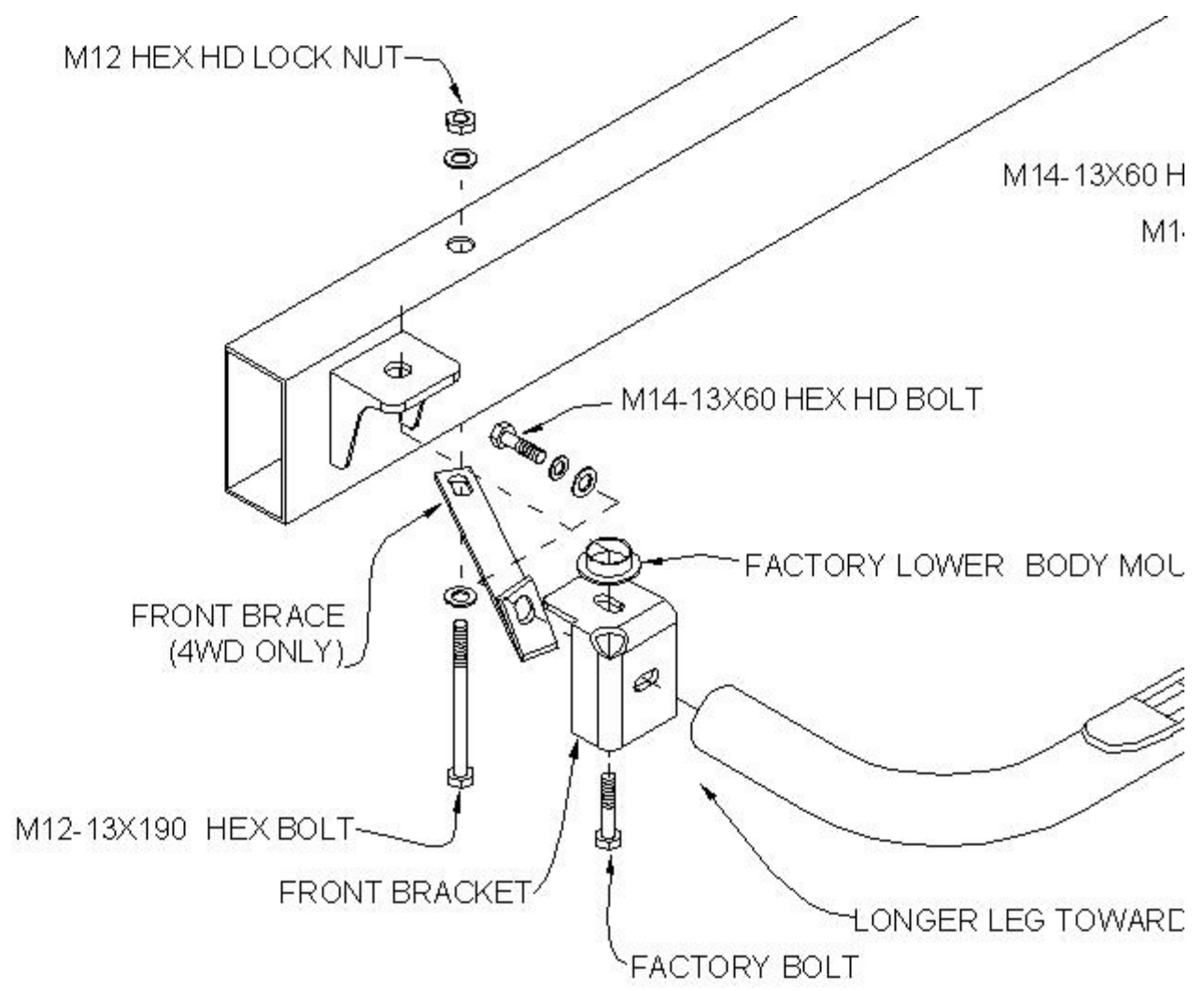
# Installation Instruction

## Model : 0102-0193

- STEP 1. Remove all contents from the received box and check stainless steel tube for any dent. Also verify all brackets and screws against the parts list.
- STEP 2. Read installation manual and installation drawing completely. Understand all brackets and screws before real installation.
- STEP 3. Remove the existing body mount bolts from underside of cab on driver side. Install **front mount bracket** and **rear mount bracket** with the original factory bolts. Leave bolts loose.
- STEP 4. Bolt **mount brace** to the bottom of vehicle frame using **M12 – 13 x 190 mm bolt, M12 flat washer, M12 lock washer and M12 hex nut. This is only needed for the 4WD model.**
- STEP 5. Fasten **driver side step bar** to **mount brackets** using M14 hex bolt, M14 lock washer and M14 flat washer. Tighten torque for M14 and M12 bolt t is 60 ft/lbs, M10 bolt is 30 ft/lbs.
- STEP 6. Repeat the same procedure for the passenger side installation.

Item No.	Part Number	Part Description	QTY
1	0102-0193-01	STEP BAR - DRIVER SIDE	1
2	0102-0193-02	STEP BAR - PASSENGER SIDE	1
3	0102-0193-03	BRACKET - FRONT, DRIVER, PASSENGER SIDE	2
4	0102-0193-04	BRACKET - REAR, DRIVER SIDE	1
5	0102-0193-05	BRACKET - REAR, PASSENGER SIDE	1
6	0102-0193-06	BRACE - FRONT, DRIVER SIDE	1
7	0102-0193-07	BRACE - FRONT , PASSENGER SIDE	1
8	0102-0193-11	M14 X 2.5" HEX HEAD BOLT	4
9	0101-0193-12	M14 X 1" LOCK WASHER	4
10	0102-0193-13	M14 X 1 3/8" FLAT WASHER	4
11	0102-0193-14	M12 -1.75 X 190mm HEX HEAD BOLT	2
12	0102-0193-15	M12 FLAT WASHER	4
13	0102-0193-16	M12 LOCK WASHER	2
14	0102-0193-17	M12 HEX NUT	2





0102-0193

