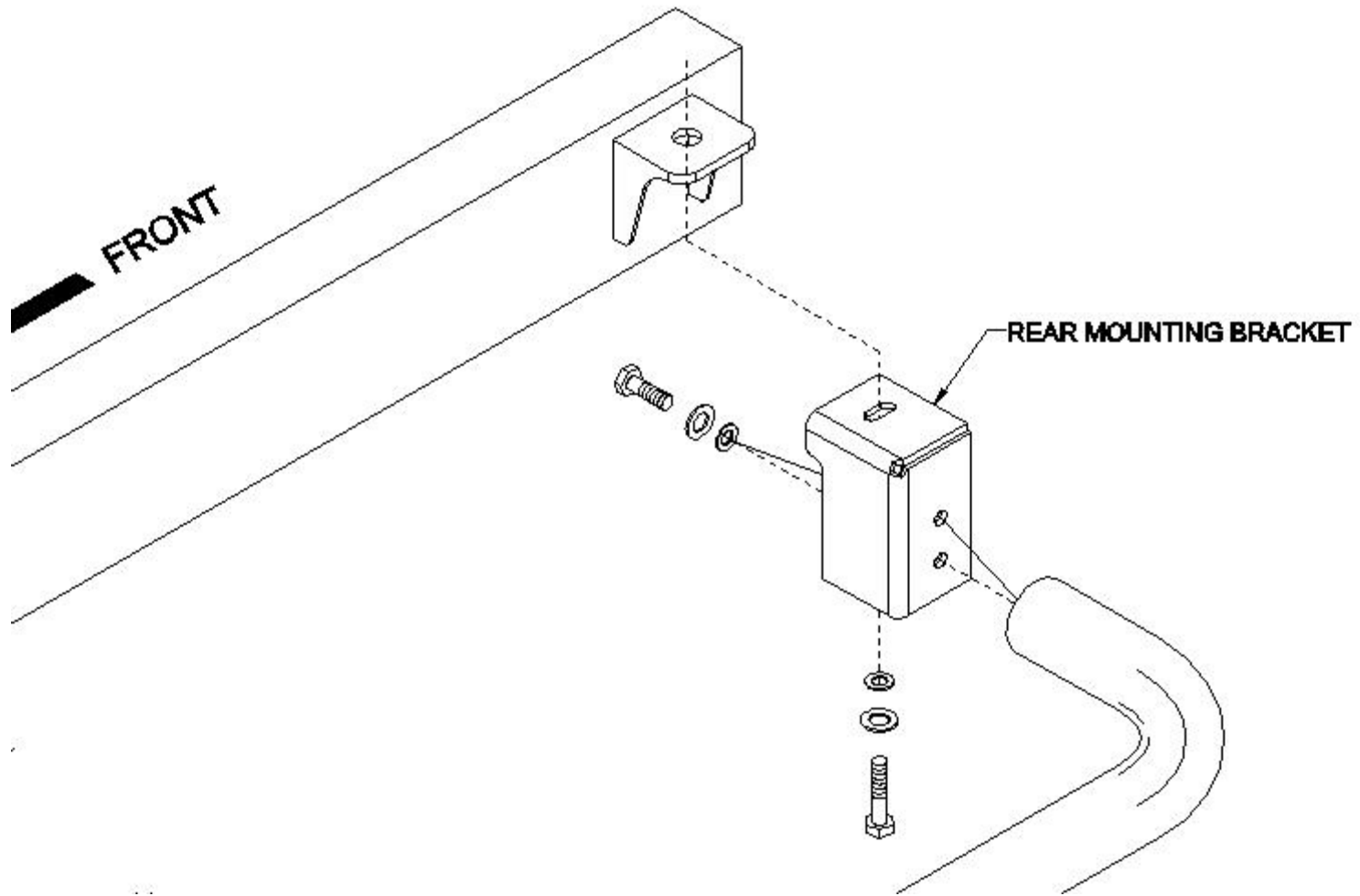


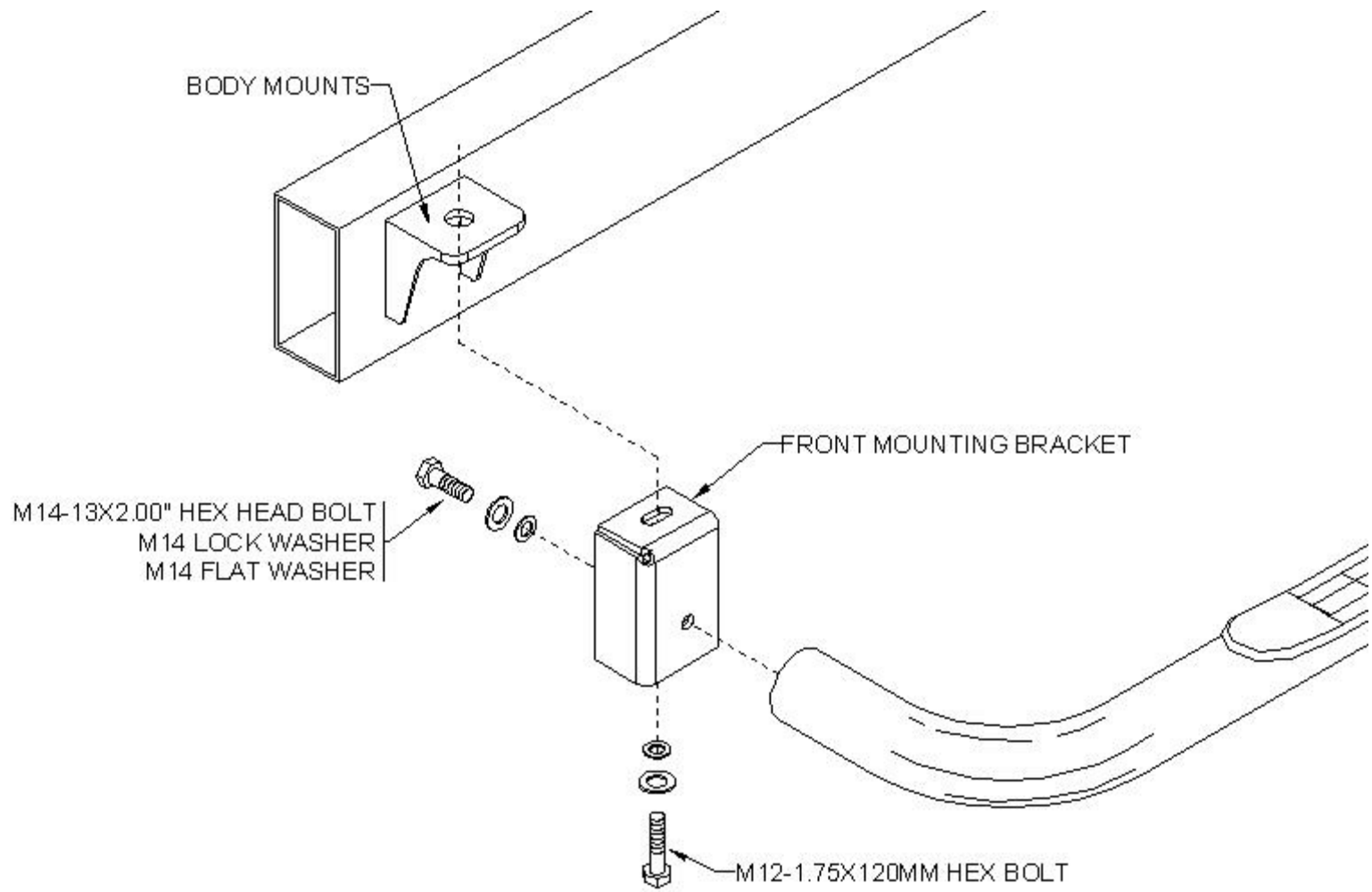
Installation Instruction

Model: 0101-0215

- STEP 1. Remove all contents from the received box and check stainless steel tube for any dent. Also verify all brackets and bolts against the parts list.
- STEP 2. Read installation manual and installation drawing completely. Understand all brackets and bolts before installation.
- STEP 3. Install front mount bracket and rear mount bracket with M12-1.75 X 120MM hex head bolts and washers.
- STEP 4. Fasten step bar to mount brackets with M14 hex head bolts and washers. Fasten rear leg of step bar to correct hole position for your truck. Check to be sure step bar is properly aligned with the truck. Tighten and torque all bracket bolts to 55ft.lbs.

0101-0215			
Item	Part Number	Part Description	QTY
1	0101-0215-01	STEP BAR - DRIVER SIDE	1
2	0101-0215-02	STEP BAR - PASSENGER SIDE	1
3	0101-0215-03	MOUNT BRACKET - FORNT	2
4	0101-0215-04	MOUNT BRACKET - REAR	2
5	0101-0215-11	M12-1.75 X 120MM HEX HEAD BOLT	4
6	0101-0215-12	M12 X 1/2" LOCK WASHER	4
7	0101-0215-13	M12 X 1/2" FLAT WASHER	4
8	0101-0215-14	M14 X 2.5" HEX HEAD BOLT	4
9	0101-0215-15	M14 X 1/2" LOCK WASHER	4
10	0101-0215-16	M14 X 1/2" FLAT WASHER	4
TOOLS REQUIRED			
19MM SOCKET / WRENCH			
3/4" SOCKET / WRENCH			
RATCHET			
TORQUE WRENCH			
#1 PHILLIPS SCREWDRIVER			





0101-0215

DRIVER SIDE INSTALLATION SHOWN

