

# Raptor Series



**Your satisfaction is important to us, please let us help!**

If you have any questions or concerns during the installation, our support representatives are available to assist you.

Please call: 1-877-769-3765 or Live Chat at [www.raptorseries.com](http://www.raptorseries.com)

If you have damaged or missing parts please contact the company you purchased the product from and notify them of the issue right away.



**CAUTION: Do not install damaged parts!!!**

# Raptor Series

## Easy Return / Easy Exchange

---

### **Want to return an item or exchange? Not satisfied with purchase?**

No problem. We strongly believe in service after the sale and we stand behind our products and our service to you, our valued customer. There is no problem we can't solve for you!

Items that have been installed and/or damaged after receipt, are no longer in new and ready-to-sell condition and cannot be refunded, replaced or exchanged unless it has a manufacturer defect or was damaged in shipping. In addition, we cannot accept return on items that are not in the original packaging. Items returned in poor condition or having parts missing will not be credited.

**Please note: Your request for return or replacement must be initiated within 30 days of delivery of your merchandise.**

### **Did your order arrive damaged?**

Please do not install damaged products. Contact the company you purchased your product from as soon as possible and notify them of the damages. They will make arrangements with you to assist with the problem.

### **Did you order the wrong part or receive the wrong item?**

Don't worry. From time to time human error can result in problems with ordering or shipping. Contact the company you purchased your product from as soon as you notice the error. Every company has their own policy on returning parts that have been ordered incorrectly or shipped incorrectly.

In the event that you need to ship your part back to return/exchange, please ship to the warehouse below:

**CYC Returns Warehouse**  
**2415 Cathy Lane**  
**Jasper, IN 47546**



# Raptor Series

## Raptor Series Warranty

### LIMITED TEN (10) YEAR WARRANTY

#### For Powder Coated Steel Products

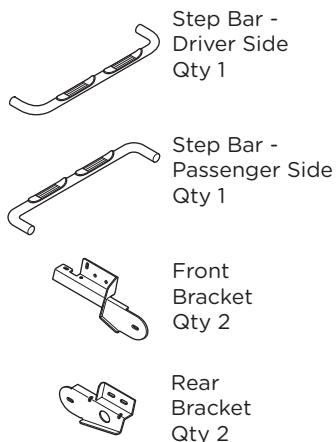
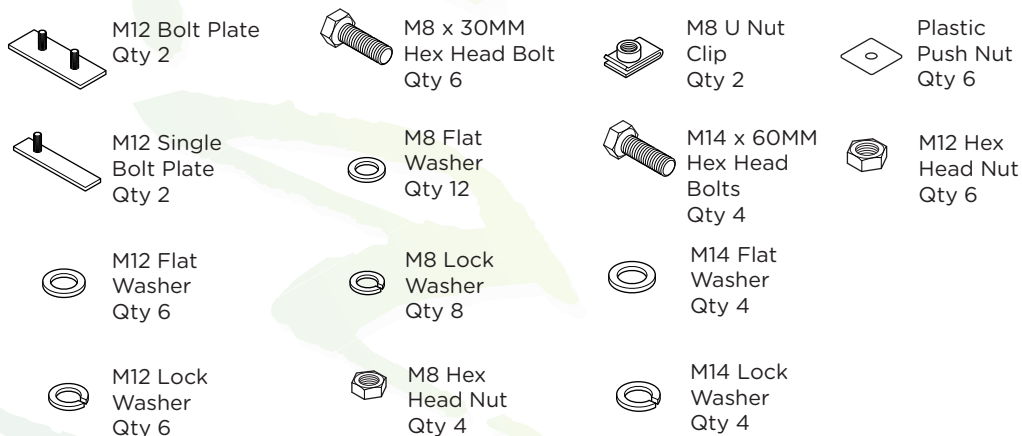
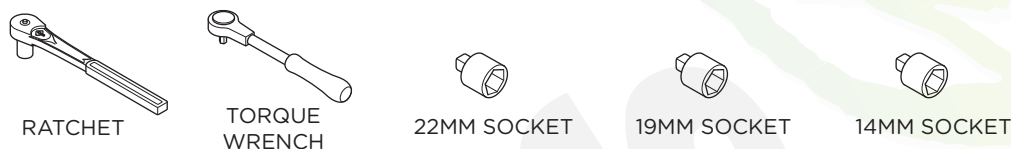
CYC Engineering, Inc. guarantees the original purchaser of our products a limited ten (10) year warranty from the date of original purchase against manufacturer defects in materials, workmanship and finish under normal use. The step pads are covered under warranty for 1 year. This warranty does not include damage resulting from road hazards such as gravel or other debris, product misuse, improper installation, impairments from accidents, product modifications, product neglect or scratches during the life of the product. This limited ten year warranty applies only to new products and is limited to the repair or replacement of company's products. Warranty does not include costs of removal, installation, labor, inconvenience or consequential damages. Original purchaser must return defective merchandise along with the purchase receipt, to the original place of purchase.

### LIMITED LIFETIME WARRANTY

#### For Stainless Steel Products

CYC Engineering, Inc. guarantees the original purchaser of our products a limited lifetime warranty from the date of original purchase against manufacturer defects in materials, workmanship and finish under normal use. The step pads are covered under warranty for 1 year. This warranty does not include damage resulting from road hazards such as gravel or other debris, product misuse, improper installation, impairments from accidents, product modifications, product neglect or scratches during the life of the product. This limited lifetime warranty applies only to new products and is limited to the repair or replacement of company's products. Warranty does not include costs of removal, installation, labor, inconvenience or consequential damages. Original purchaser must return defective merchandise along with the purchase receipt, to the original place of purchase.

0103-0712

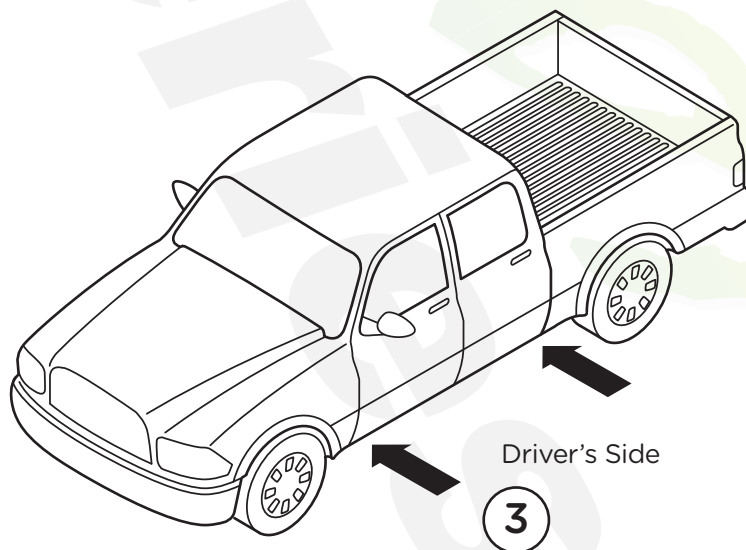
**3" ROUND TUBE***Raptor*  
**Series****Components:****Hardware:****Tools Required:****Torque Specifications:**

For Rocker Panel Mount Installations  
M8 through M12 bolts and nuts are set to 15-20 ft lbs.

**Note: When installing the brackets and bars, all hardware must be left loose until all the items are attached.**

**1.** Remove all contents from the package and check stainless steel tubes for any damage. Also, verify that all components and hardware listed above are included before you begin installation.

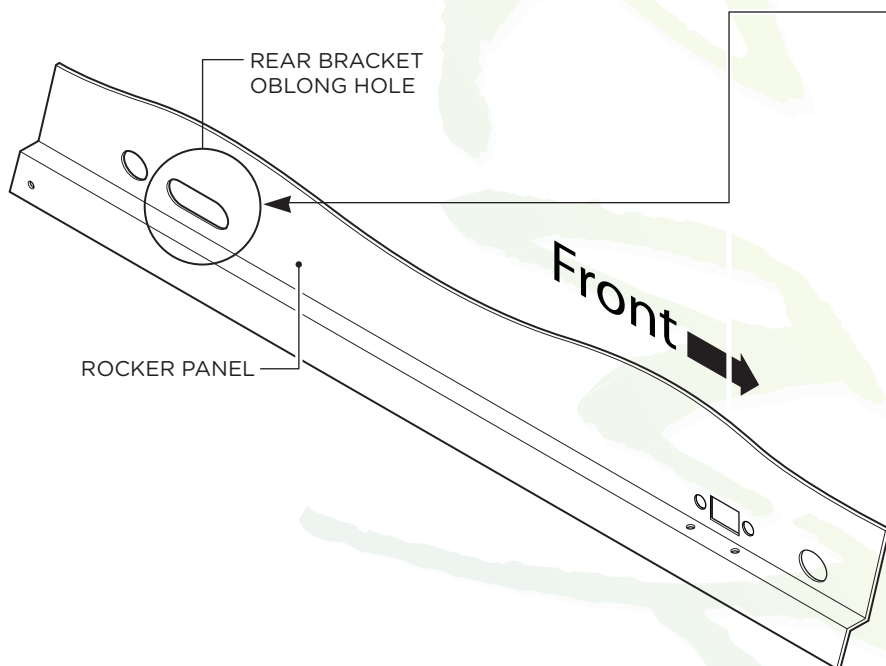
**2.** Begin installation on the drivers side by removing the black rubber plugs or tape covering the existing holes in the Rocker Panel.



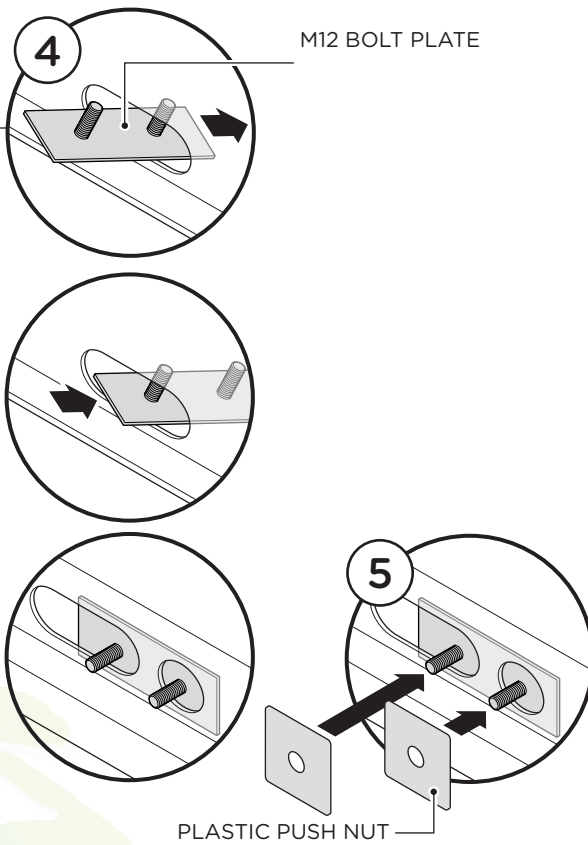
0103-0712

**4.** Located the Oblong Hole towards the Rear of the Rocker Panel. Install the M12 Bolt Plate through the hole as shown.

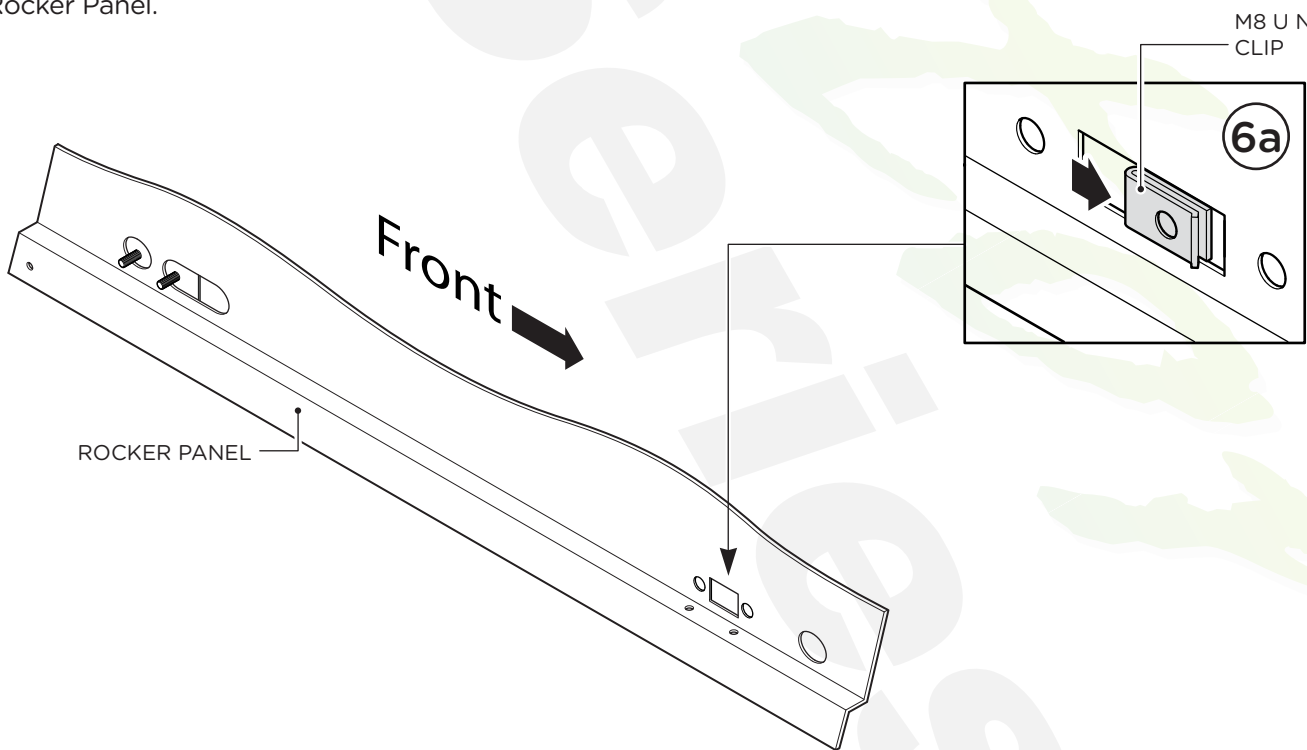
**5.** Fasten the Plastic Push Nuts onto the studs of the M12 Bolt Plate to hold it into place.



**Rear Bracket Oblong Hole**



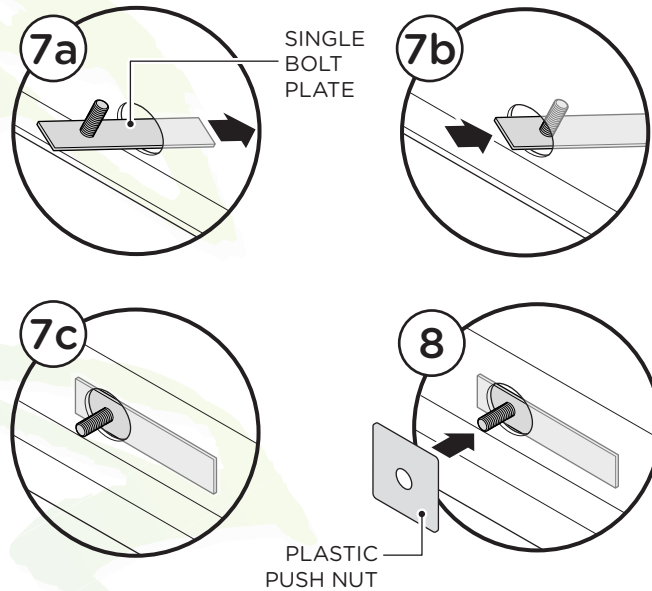
**6.** Locate the rectangular slot and hole towards the front of the Rocker Panel. Install the U-Nut Clip as shown (6a). Make sure that the threads of the U-Nut Clips are to the inside of the Rocker Panel. Be careful not to drop the U-Nut Clip inside of the Rocker Panel.



**7.** Locate the hole near the Front of the Rocker Panel and place the M12 Single Bolt Plate through the hole as shown.

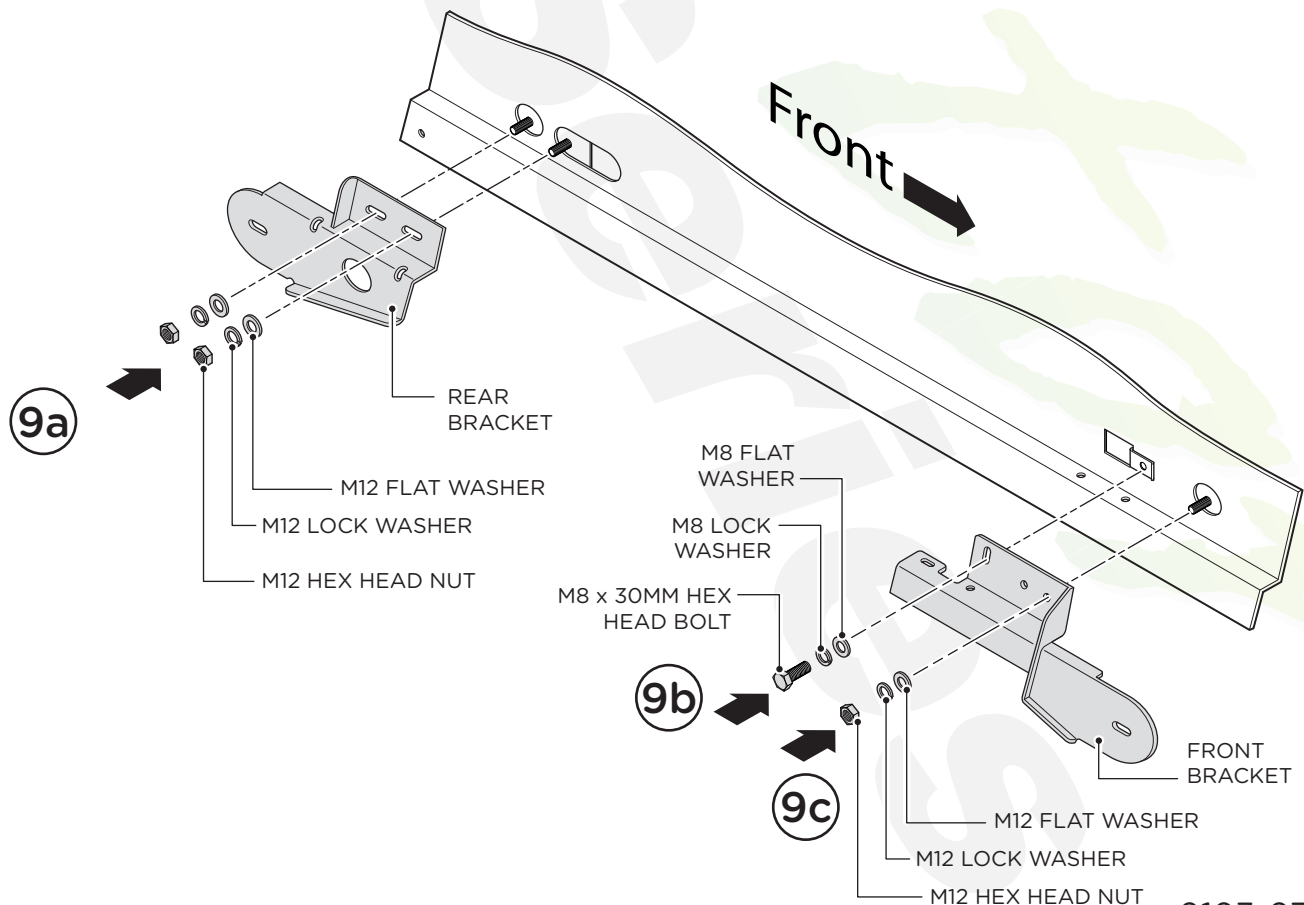
**8.** Fasten the Plastic Push Nut onto the stud of the M12 Single Bolt Plate to hold it into place.

**Front Bracket Hole**

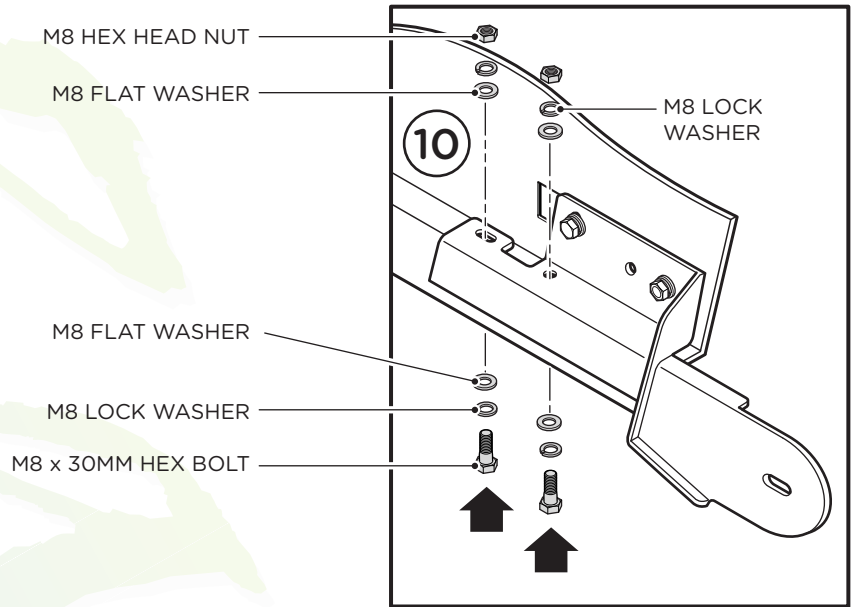


**9.** Place the Rear Bracket onto the Rocker Panel and fasten to the M12 Bolt Plate using two (2) M12 Hex Head Nuts, two (2) M12 Lock Washers and two (2) M12 Flat Washers. (9a)

Place the Front Bracket onto the Rocker Panel using one (1) M8 x 30MM Hex Head Bolt, one (1) M8 Lock Washer and one (1) M8 Flat Washer through the first hole that aligns with the U Nut Clip (9b). Then fasten the Bracket to the Stud of the M12 Single Bolt Plate using one (1) M12 Hex Head Nut, one (1) M12 Lock Washer and one (1) M12 Flat Washer (9c).



**10.** Fasten the bottom of the Front Bracket to the Pinch Weld of the Rocker Panel using two (2) M8 X 30 Hex Head Bolts, four (4) M8 Lock Washers, four (4) M8 Flat Washers and two (2) M8 Hex Head Nuts.



**11.** Fasten the Step Bar to the Front and Rear Brackets using one (1) M14 x 60MM Bolt, one (1) M14 Lock Washer and one (1) M14 Flat Washer per bracket.

Repeat these steps for passenger side installation. When all hardware is in place, everything must be tightened. See Page 1 for Torque Specifications.

