

Raptor Series



Your satisfaction is important to us, please let us help!

If you have any questions or concerns during the installation, our support representatives are available to assist you.

Please call: 1-877-769-3765 or Live Chat at www.raptorseries.com

If you have damaged or missing parts please contact the company you purchased the product from and notify them of the issue right away.



CAUTION: Do not install damaged parts!!!

Raptor Series

Easy Return / Easy Exchange

Want to return an item or exchange? Not satisfied with purchase?

No problem. We strongly believe in service after the sale and we stand behind our products and our service to you, our valued customer. There is no problem we can't solve for you!

Items that have been installed and/or damaged after receipt, are no longer in new and ready-to-sell condition and cannot be refunded, replaced or exchanged unless it has a manufacturer defect or was damaged in shipping. In addition, we cannot accept return on items that are not in the original packaging. Items returned in poor condition or having parts missing will not be credited.

Please note: Your request for return or replacement must be initiated within 30 days of delivery of your merchandise.

Did your order arrive damaged?

Please do not install damaged products. Contact the company you purchased your product from as soon as possible and notify them of the damages. They will make arrangements with you to assist with the problem.

Did you order the wrong part or receive the wrong item?

Don't worry. From time to time human error can result in problems with ordering or shipping. Contact the company you purchased your product from as soon as you notice the error. Every company has their own policy on returning parts that have been ordered incorrectly or shipped incorrectly.

In the event that you need to ship your part back to return/exchange, please ship to the warehouse below:

CYC Returns Warehouse
2415 Cathy Lane
Jasper, IN 47546



Raptor Series

Raptor Series Warranty

LIMITED TEN (10) YEAR WARRANTY

For Powder Coated Steel Products

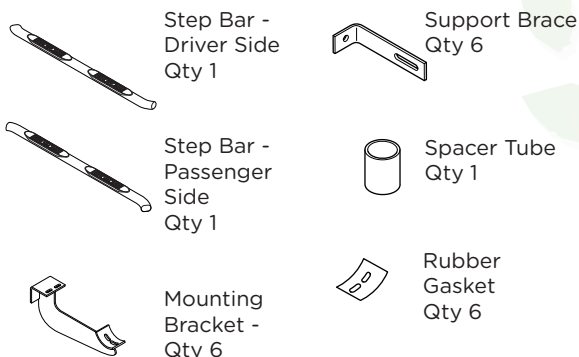
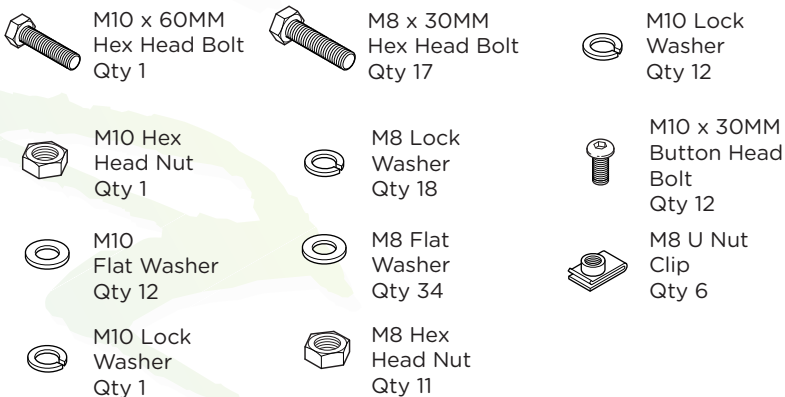
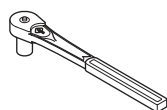
CYC Engineering, Inc. guarantees the original purchaser of our products a limited ten (10) year warranty from the date of original purchase against manufacturer defects in materials, workmanship and finish under normal use. The step pads are covered under warranty for 1 year. This warranty does not include damage resulting from road hazards such as gravel or other debris, product misuse, improper installation, impairments from accidents, product modifications, product neglect or scratches during the life of the product. This limited ten year warranty applies only to new products and is limited to the repair or replacement of company's products. Warranty does not include costs of removal, installation, labor, inconvenience or consequential damages. Original purchaser must return defective merchandise along with the purchase receipt, to the original place of purchase.

LIMITED LIFETIME WARRANTY

For Stainless Steel Products

CYC Engineering, Inc. guarantees the original purchaser of our products a limited lifetime warranty from the date of original purchase against manufacturer defects in materials, workmanship and finish under normal use. The step pads are covered under warranty for 1 year. This warranty does not include damage resulting from road hazards such as gravel or other debris, product misuse, improper installation, impairments from accidents, product modifications, product neglect or scratches during the life of the product. This limited lifetime warranty applies only to new products and is limited to the repair or replacement of company's products. Warranty does not include costs of removal, installation, labor, inconvenience or consequential damages. Original purchaser must return defective merchandise along with the purchase receipt, to the original place of purchase.

0103-0521

3" ROUND TUBE**Raptor
Series****Components:****Hardware:****Tools Required:**

RATCHET

TORQUE
WRENCH

17MM SOCKET



14MM SOCKET



6MM HEX BIT

Torque Specifications:

For Rocker Panel Mount Installations

M8 through M12 bolts and nuts are set to 15-20 ft lbs.

Note: When installing the brackets and bars, all hardware must be left loose until all the items are attached.

1. Remove all contents from the package and check stainless steel tubes for any damage. Also, verify that all components and hardware listed above are included before you begin installation.

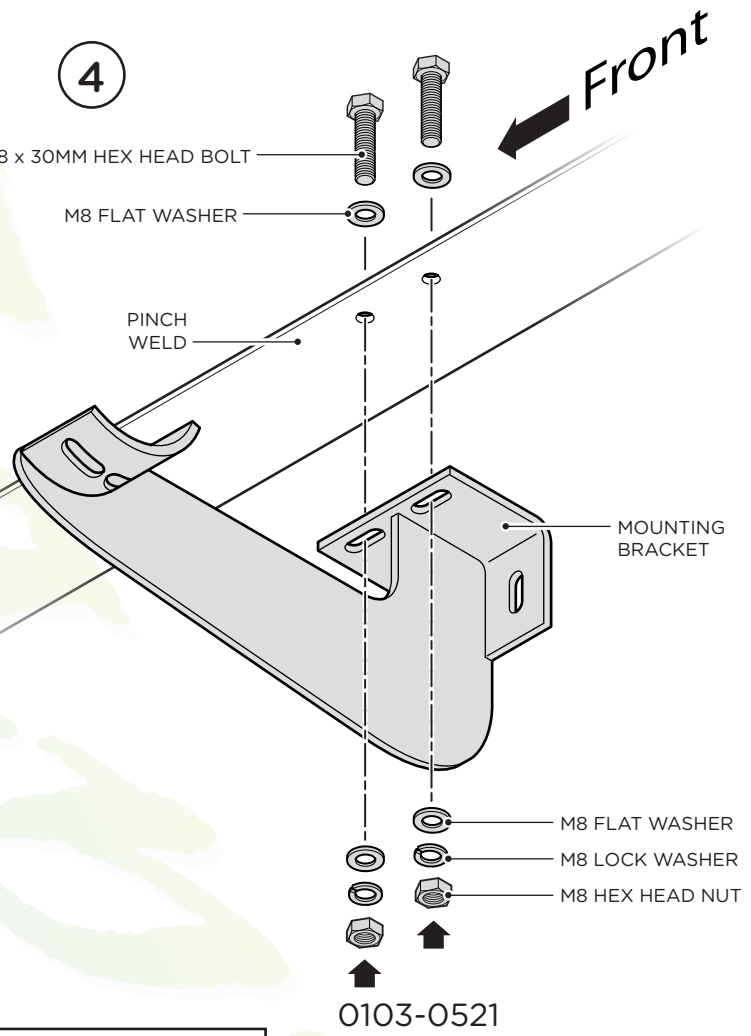
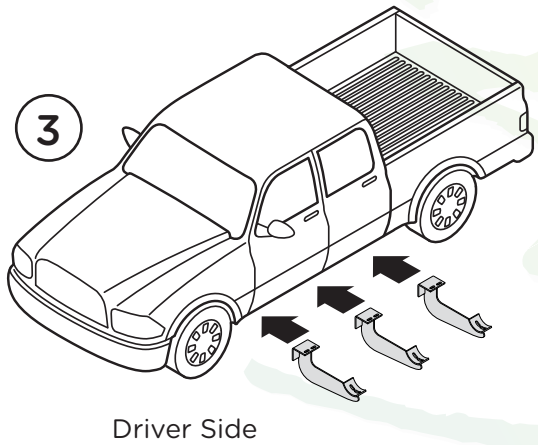
2. Read installation manual and installation drawing completely. Understand all brackets and bolts before installation.

Note: If installing step bars on vehicles equipped with factory step boards, rear air conditioning and heat, existing factor mounting hardware is used. The front bracket is placed over both mounting studs protruding from Rocker Panel, reuse factory nuts. If installing step bars on vehicles without step boards with rear air and heat. The plastic studs will need to be trimmed and a 5/16" hole drilled through the plastic where the stud was. Insert bolts through these holes.

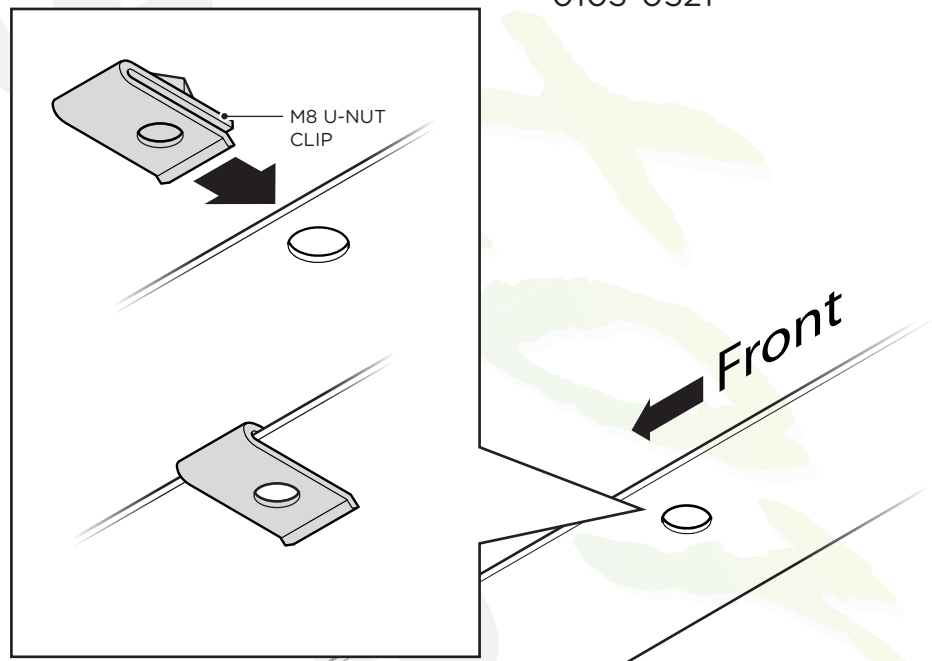
Note: Be careful not to drill into the air conditioning lines.

3. Begin installation on the driver side.

4. Install the Front, Center and Rear Brackets to the pinch weld of the Rocker Panel as shown.

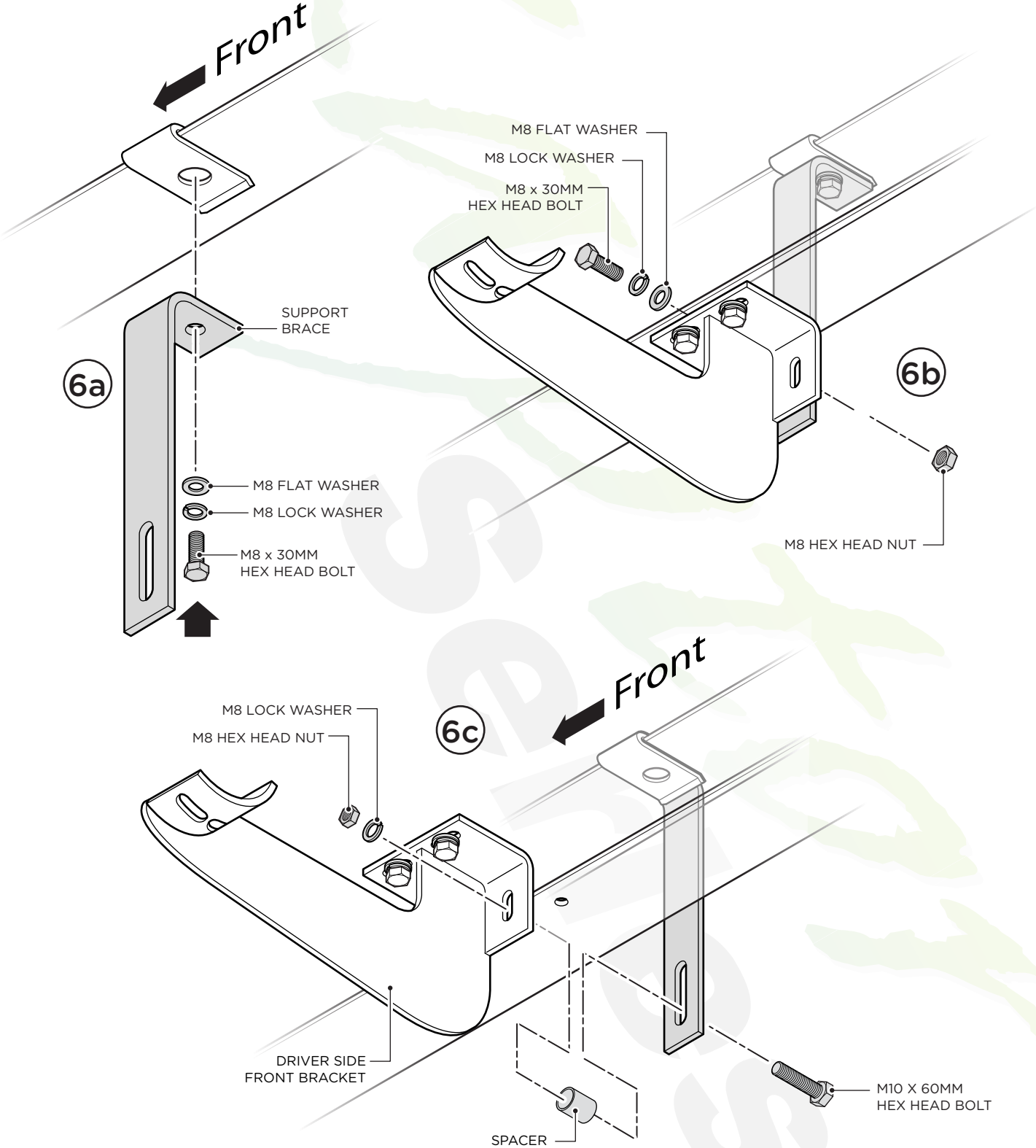


5. Insert one (1) M8 U Nut Clip over the hole located on the Rocker Panel directly above each bracket. Align the M8 U Nut Clip with the existing hole.



6. Attach the Support Braces to the M8 U Nut Clips installed in the previous step (6a). Then attach the Support Braces to each Mounting Bracket EXCEPT the front driver side (6b). For front driver side, attach Support Brace to Mounting Bracket as shown (6c). Leave loose.

Note: Front Bracket on the driver side will require the support brace to be reversed with a spacer and washers placed between the bracket and support brace. This will allow clearance for brake cable.



7. Place Rubber Gaskets onto the Bracket Cradle and then place the Step Bar onto the Brackets.

8. Attach the Step Bar to each Bracket using two (2) M10 Button Head Bolts, two (2) M10 Lock Washers and two (2) M10 Flat Washers per bracket.

Tighten until the split lock washer is flat against bracket and snug. **DO NOT** over tighten and strip the threaded insert in the tube.

Repeat these steps for passenger side installation. When all hardware is in place, everything must be tightened. See Page 1 for Torque Specifications.

