

Raptor Series



Your satisfaction is important to us, please let us help!

If you have any questions or concerns during the installation, our support representatives are available to assist you.

Please call: 1-877-769-3765 or Live Chat at www.raptorseries.com

If you have damaged or missing parts please contact the company you purchased the product from and notify them of the issue right away.



CAUTION: Do not install damaged parts!!!

Raptor Series

Easy Return / Easy Exchange

Want to return an item or exchange? Not satisfied with purchase?

No problem. We strongly believe in service after the sale and we stand behind our products and our service to you, our valued customer. There is no problem we can't solve for you!

Items that have been installed and/or damaged after receipt, are no longer in new and ready-to-sell condition and cannot be refunded, replaced or exchanged unless it has a manufacturer defect or was damaged in shipping. In addition, we cannot accept return on items that are not in the original packaging. Items returned in poor condition or having parts missing will not be credited.

Please note: Your request for return or replacement must be initiated within 30 days of delivery of your merchandise.

Did your order arrive damaged?

Please do not install damaged products. Contact the company you purchased your product from as soon as possible and notify them of the damages. They will make arrangements with you to assist with the problem.

Did you order the wrong part or receive the wrong item?

Don't worry. From time to time human error can result in problems with ordering or shipping. Contact the company you purchased your product from as soon as you notice the error. Every company has their own policy on returning parts that have been ordered incorrectly or shipped incorrectly.

In the event that you need to ship your part back to return/exchange, please ship to the warehouse below:

CYC Returns Warehouse
2415 Cathy Lane
Jasper, IN 47546

The logo for Raptor Series features the word "Raptor" in a green, cursive script font, with the word "Series" in a black, bold, sans-serif font directly below it. The background of the logo is a light green silhouette of a raptor in flight.

Raptor Series Warranty

LIMITED TEN (10) YEAR WARRANTY

For Powder Coated Steel Products

CYC Engineering, Inc. guarantees the original purchaser of our products a limited ten (10) year warranty from the date of original purchase against manufacturer defects in materials, workmanship and finish under normal use. The step pads are covered under warranty for 1 year. This warranty does not include damage resulting from road hazards such as gravel or other debris, product misuse, improper installation, impairments from accidents, product modifications, product neglect or scratches during the life of the product. This limited ten year warranty applies only to new products and is limited to the repair or replacement of company's products. Warranty does not include costs of removal, installation, labor, inconvenience or consequential damages. Original purchaser must return defective merchandise along with the purchase receipt, to the original place of purchase.

LIMITED LIFETIME WARRANTY

For Stainless Steel Products

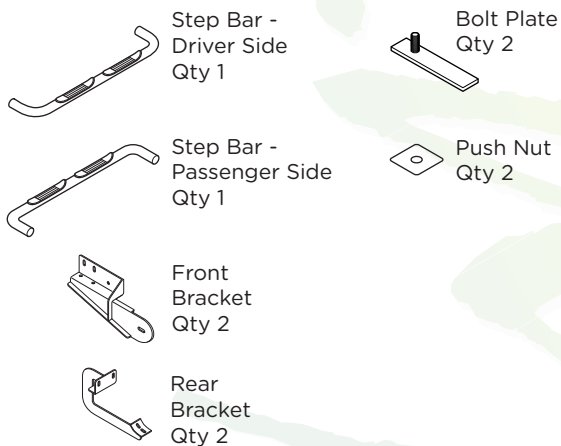
CYC Engineering, Inc. guarantees the original purchaser of our products a limited lifetime warranty from the date of original purchase against manufacturer defects in materials, workmanship and finish under normal use. The step pads are covered under warranty for 1 year. This warranty does not include damage resulting from road hazards such as gravel or other debris, product misuse, improper installation, impairments from accidents, product modifications, product neglect or scratches during the life of the product. This limited lifetime warranty applies only to new products and is limited to the repair or replacement of company's products. Warranty does not include costs of removal, installation, labor, inconvenience or consequential damages. Original purchaser must return defective merchandise along with the purchase receipt, to the original place of purchase.

0103-0363

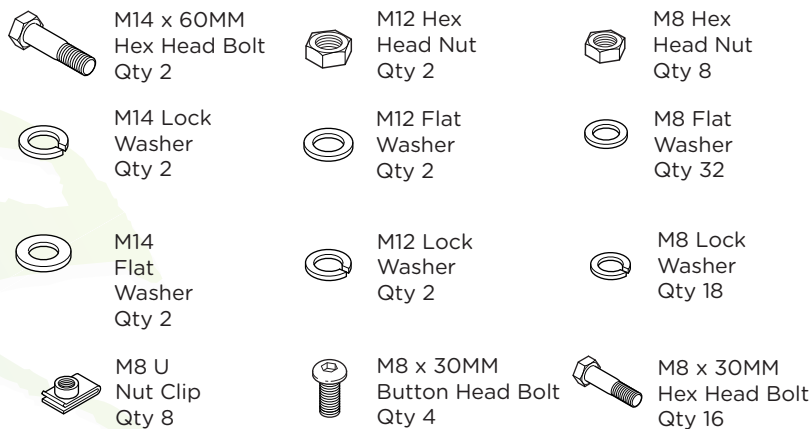
3" ROUND TUBE



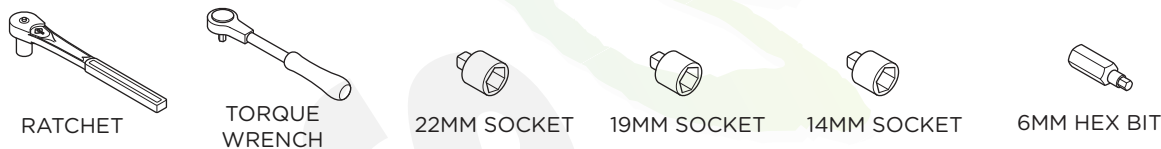
Components:



Hardware:



Tools Required:



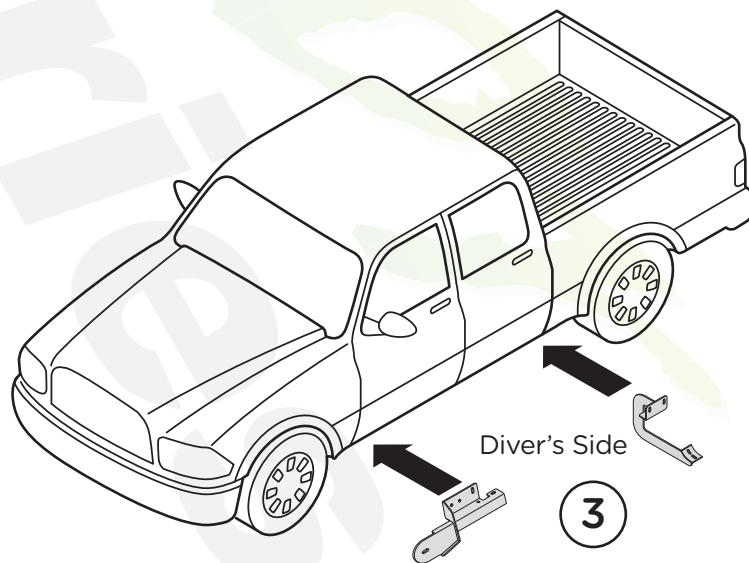
Torque Specifications:

For Rocker Panel Mount Installations
M8 through M12 bolts and nuts are set to 15-20 ft lbs.

Note: When installing the brackets and bars, all hardware must be left loose until all the items are attached.

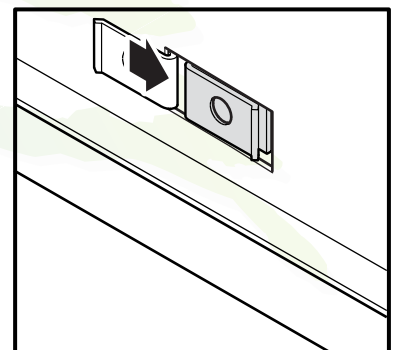
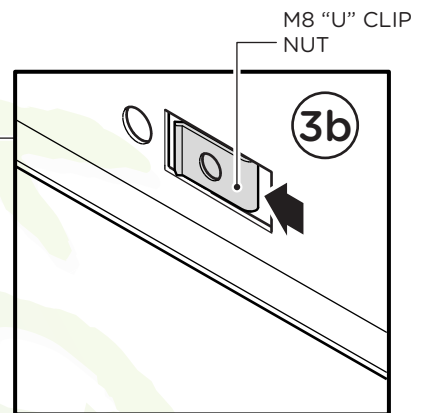
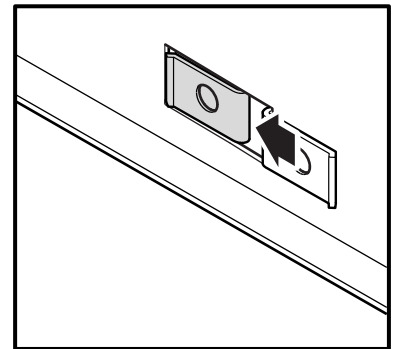
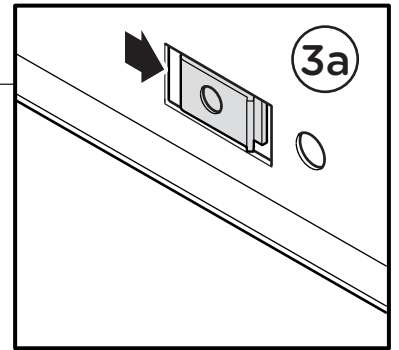
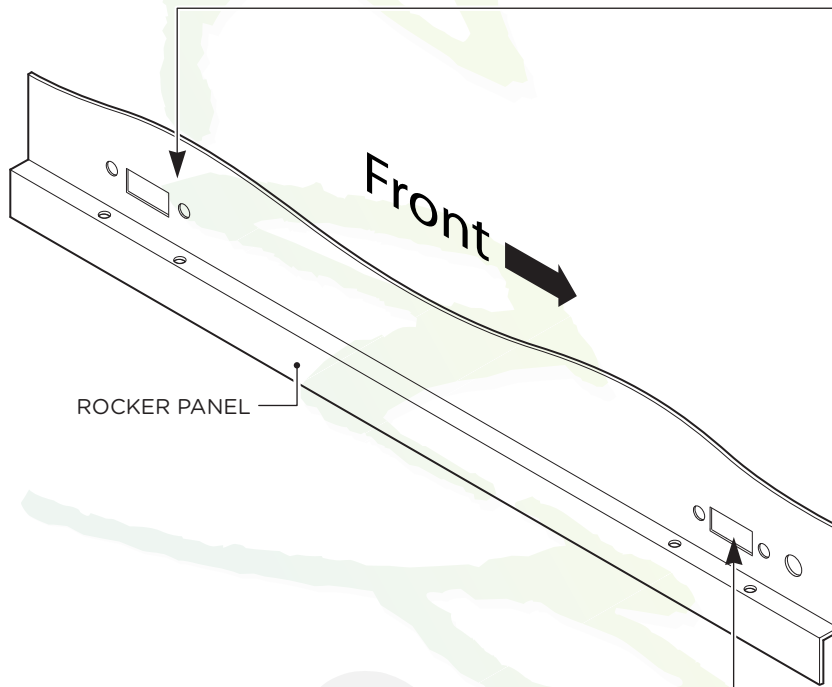
1. Remove all contents from the package and check stainless steel tubes for any damage. Also, verify that all components and hardware listed above are included before you begin installation.

2. Begin installation on the drivers side by removing the black rubber plugs or tape covering the existing holes in the Rocker Panel.

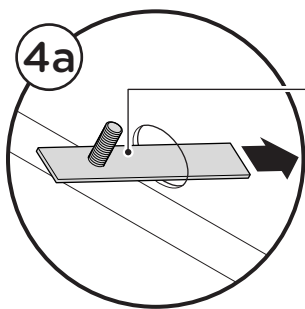


3. Locate the rectangular slots and holes on the Rocker Panel. Install the U-Nut Clips as shown (3a). Make sure that the threads of the U-Nut Clips are to the inside of the Rocker Panel. Be careful not to drop the U-Nut Clips inside of the Rocker Panel.

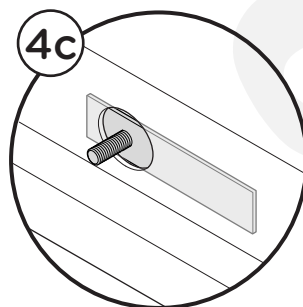
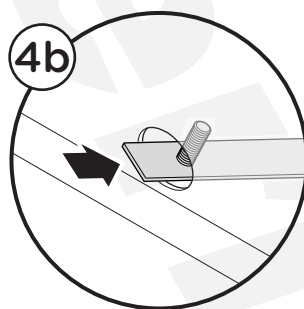
Front of Vehicle



4. Locate the hole near the front of Rocker Panel. Place the Bolt Plate through the hole in the Rocker Panel as shown (4a thru 4c).

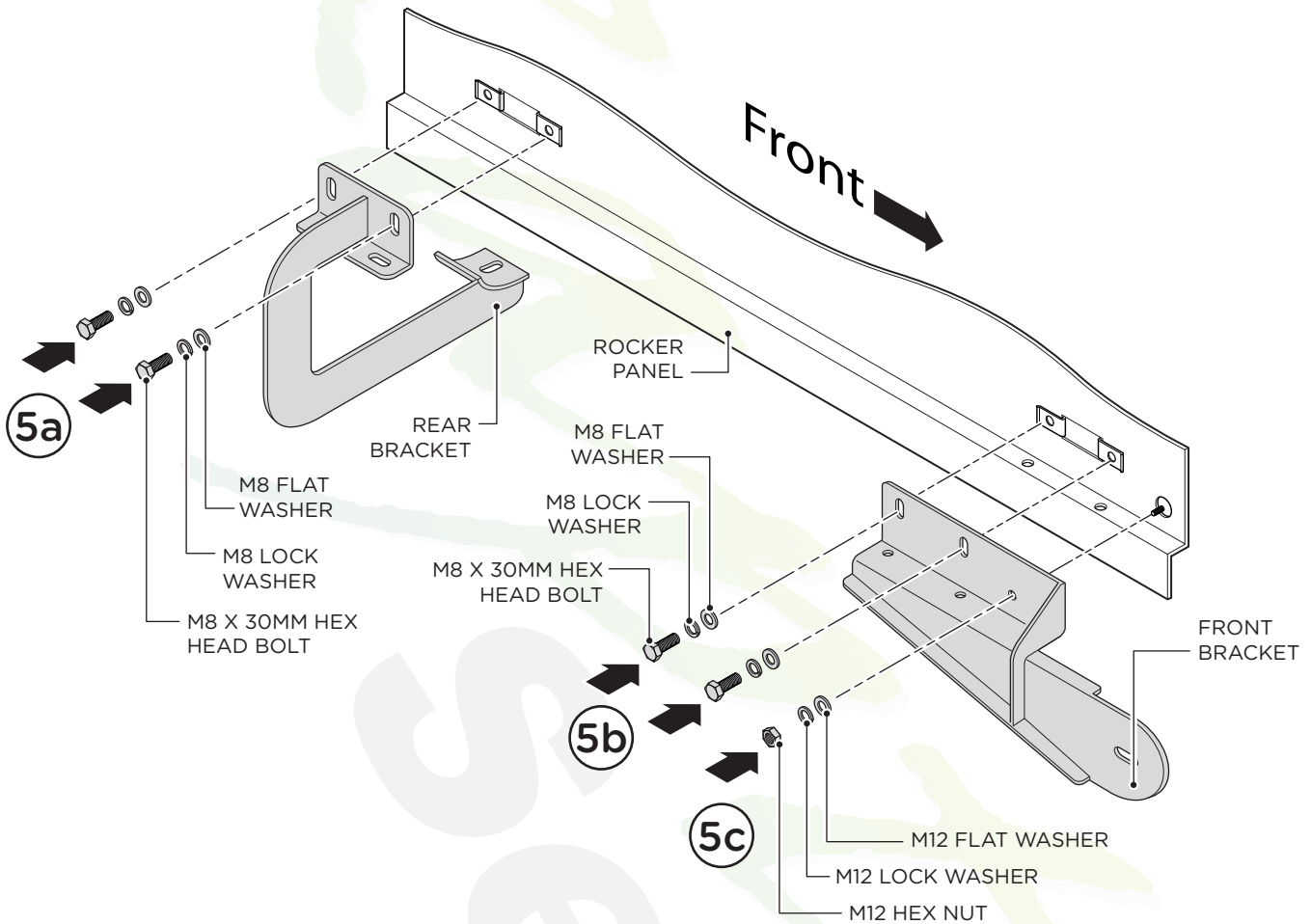


BOLT PLATE

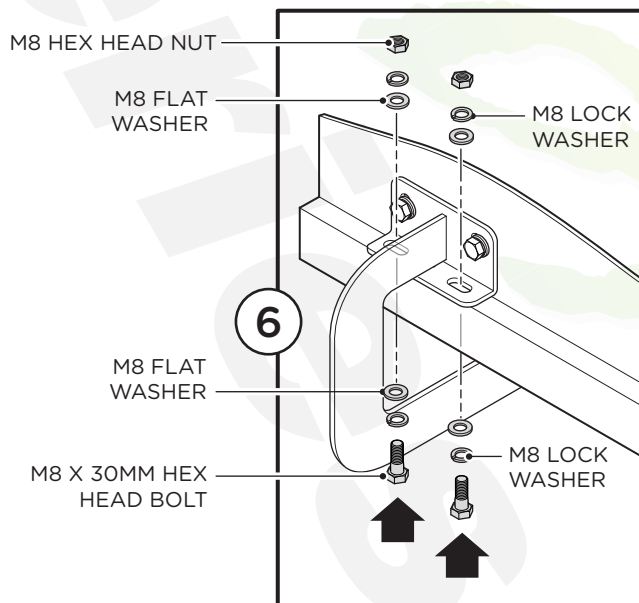


5. Place the Rear Bracket onto the Rocker Panel and fasten using two (2) M8 X 30 Hex Head Bolts, two (2) M8 Lock Washers and two (2) M8 Flat Washers as shown (5a).

Align the Front Bracket with the M8 U Nut Clips and fasten using two (2) M8 X 30 Hex Head Bolts, two (2) M8 Lock Washers and two (2) M8 Flat Washers (5b) . Fasten to the Bolt Plate by placing one (1) M8 Hex Nut, one (1) M8 Lock Washer and one (1) M8 Flat Washer onto threaded stud of Bolt Plate as shown (5c).



6. Fasten the bottom of the Rear Bracket onto the Rocker Panel and fasten using two (2) M8 Hex Head Bolts, four (4) M8 Lock Washers and four (4) M8 Flat Washers and two (2) M8 Hex Head Nuts.



7. Fasten the remainder of Front Bracket onto the Rocker Panel and fasten using two (2) M8 Hex Head Bolts, four (4) M8 Lock Washers and four (4) M8 Flat Washers and two (2) M8 Hex Head Nuts.

8. Attach the Front Bracket to end of Step Bar using one (1) M14 X 60MM Hex Head Bolt, one M14 Lock Washer and one (1) M14 Flat Washer (8a).

Attach the Rear Bracket to the Step Bar using two (2) M10 x 30MM Button Head Bolts, two (2) M10 Lock Washers and two (2) M10 Flat Washers (9b).

Repeat these steps for passenger side installation. When all hardware is in place, everything must be tightened. See Page 1 for Torque Specifications.

