

# Raptor Series



**Your satisfaction is important to us, please let us help!**

If you have any questions or concerns during the installation, our support representatives are available to assist you.

Please call: 1-877-769-3765 or Live Chat at [www.raptorseries.com](http://www.raptorseries.com)

If you have damaged or missing parts please contact the company you purchased the product from and notify them of the issue right away.



**CAUTION: Do not install damaged parts!!!**

# Raptor Series

## Easy Return / Easy Exchange

---

### **Want to return an item or exchange? Not satisfied with purchase?**

No problem. We strongly believe in service after the sale and we stand behind our products and our service to you, our valued customer. There is no problem we can't solve for you!

Items that have been installed and/or damaged after receipt, are no longer in new and ready-to-sell condition and cannot be refunded, replaced or exchanged unless it has a manufacturer defect or was damaged in shipping. In addition, we cannot accept return on items that are not in the original packaging. Items returned in poor condition or having parts missing will not be credited.

**Please note: Your request for return or replacement must be initiated within 30 days of delivery of your merchandise.**

### **Did your order arrive damaged?**

Please do not install damaged products. Contact the company you purchased your product from as soon as possible and notify them of the damages. They will make arrangements with you to assist with the problem.

### **Did you order the wrong part or receive the wrong item?**

Don't worry. From time to time human error can result in problems with ordering or shipping. Contact the company you purchased your product from as soon as you notice the error. Every company has their own policy on returning parts that have been ordered incorrectly or shipped incorrectly.

In the event that you need to ship your part back to return/exchange, please ship to the warehouse below:

**CYC Returns Warehouse  
2415 Cathy Lane  
Jasper, IN 47546**

The logo for the Raptor Series, featuring the word "Raptor" in a green, stylized script font and "Series" in a black, bold, sans-serif font below it. The background of the logo is a faint, light green silhouette of a raptor in flight.

# Raptor Series

## Raptor Series Warranty

### LIMITED TEN (10) YEAR WARRANTY

#### For Powder Coated Steel Products

CYC Engineering, Inc. guarantees the original purchaser of our products a limited ten (10) year warranty from the date of original purchase against manufacturer defects in materials, workmanship and finish under normal use. The step pads are covered under warranty for 1 year. This warranty does not include damage resulting from road hazards such as gravel or other debris, product misuse, improper installation, impairments from accidents, product modifications, product neglect or scratches during the life of the product. This limited ten year warranty applies only to new products and is limited to the repair or replacement of company's products. Warranty does not include costs of removal, installation, labor, inconvenience or consequential damages. Original purchaser must return defective merchandise along with the purchase receipt, to the original place of purchase.

### LIMITED LIFETIME WARRANTY

#### For Stainless Steel Products

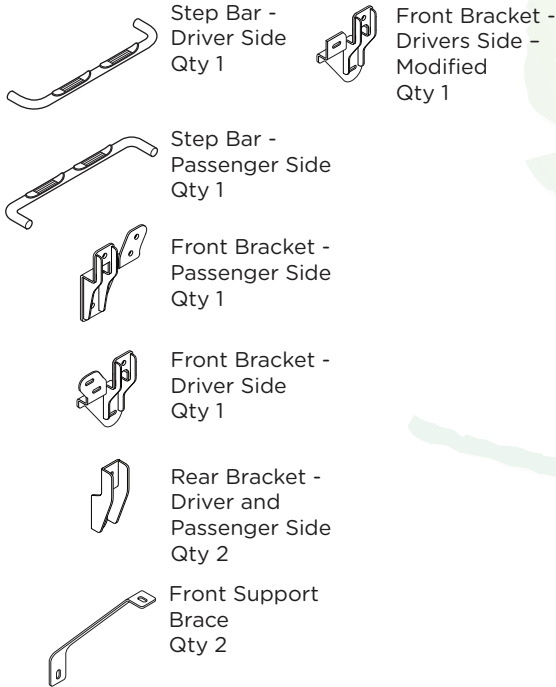
CYC Engineering, Inc. guarantees the original purchaser of our products a limited lifetime warranty from the date of original purchase against manufacturer defects in materials, workmanship and finish under normal use. The step pads are covered under warranty for 1 year. This warranty does not include damage resulting from road hazards such as gravel or other debris, product misuse, improper installation, impairments from accidents, product modifications, product neglect or scratches during the life of the product. This limited lifetime warranty applies only to new products and is limited to the repair or replacement of company's products. Warranty does not include costs of removal, installation, labor, inconvenience or consequential damages. Original purchaser must return defective merchandise along with the purchase receipt, to the original place of purchase.

0102-0698M

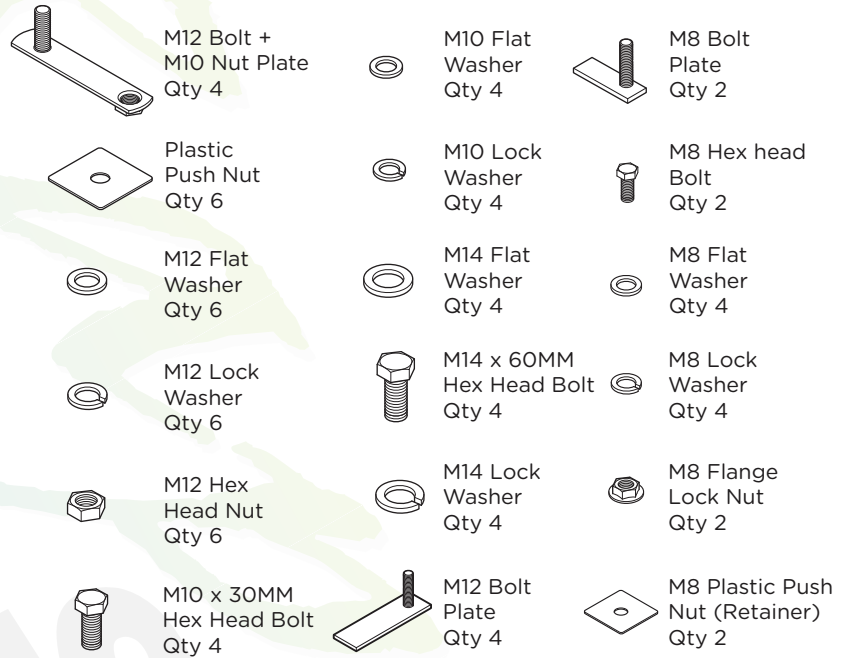
# 3" ROUND TUBE



## Components:



## Hardware:



## Tools Required:

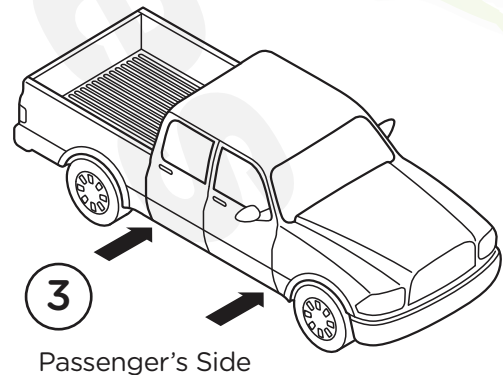


## Torque Specifications:

For Cab Mount Installations  
 Cab Mount Bolts are torqued to 70 Ft Lbs. All other M8 through M12 sized bolts/nuts are set to 15-20 ft lbs.

**Note: When installing the brackets and bars, all hardware must be left loose until all the items are attached.**

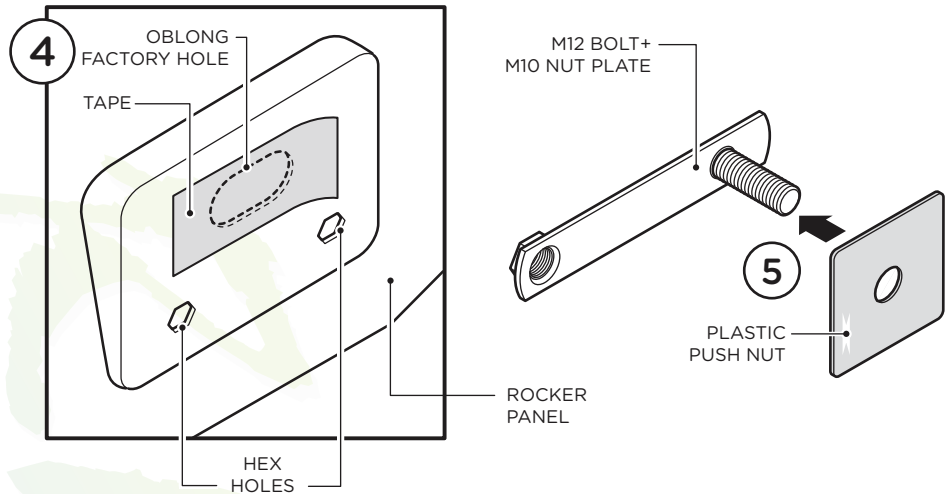
1. Remove all contents from the package and check stainless steel tubes for any damage. Also, verify that all components and hardware listed above are included before you begin installation.
2. Remove the tape that covers the front running board holes. This is located at the inner Rocker Panel behind the front tires.
3. Begin installation on passenger's side of vehicle.



**4.** Remove the Tape covering the factory oblong hole in the Rocker Panel located above the two (2) hex holes.

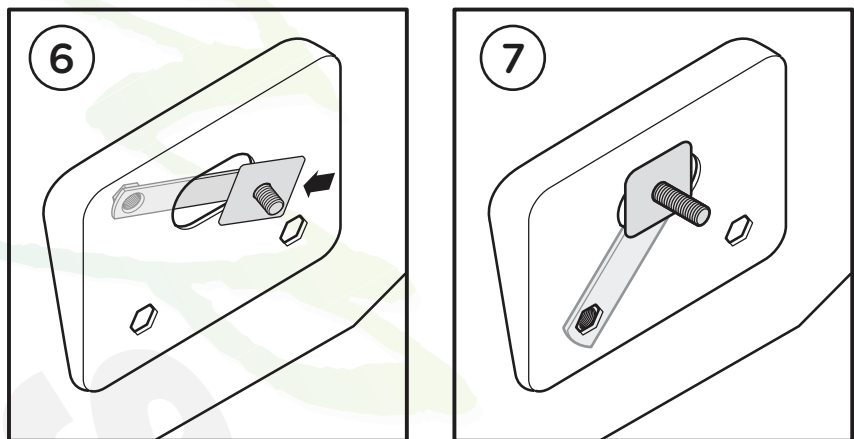
**5.** Slide Plastic Push Nut over the Stud (4b).

**6.** Locate the oblong hole with two hex shaped holes at the front passenger side of the vehicle. Insert one (1) M12 Bolt + M10 Nut Plate (with Push Nut secured) into the oblong hole.



Repeat for the oblong hole with two hex shaped holes at the rear passenger side of the vehicle.

**7.** Position the M12 Bolt + M10 Nut Plate as shown, making sure the M10 Nut is aligned with the hex hole in the Rocker Panel.

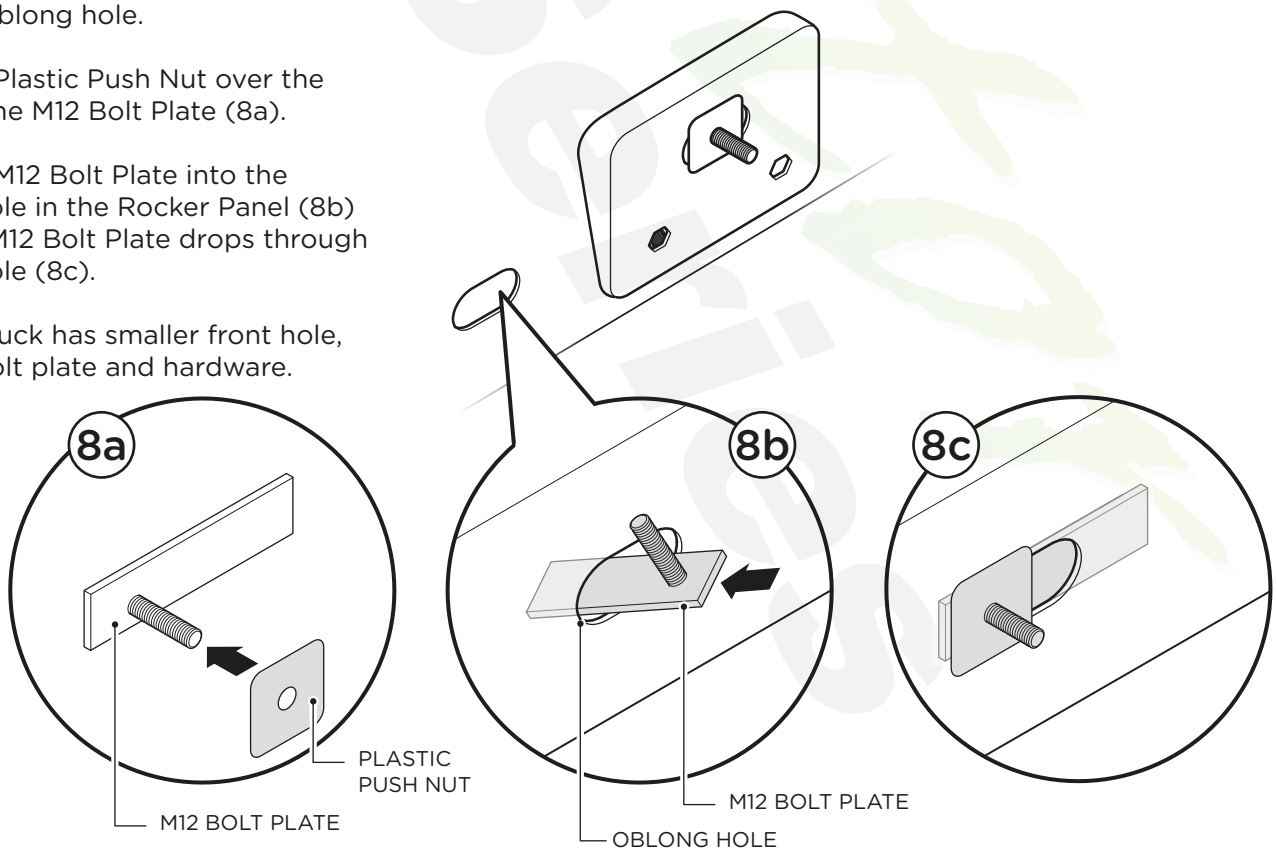


**8.** Return to the front Passenger side of the vehicle. Next to the oblong hole with two hex shaped holes is another oblong hole.

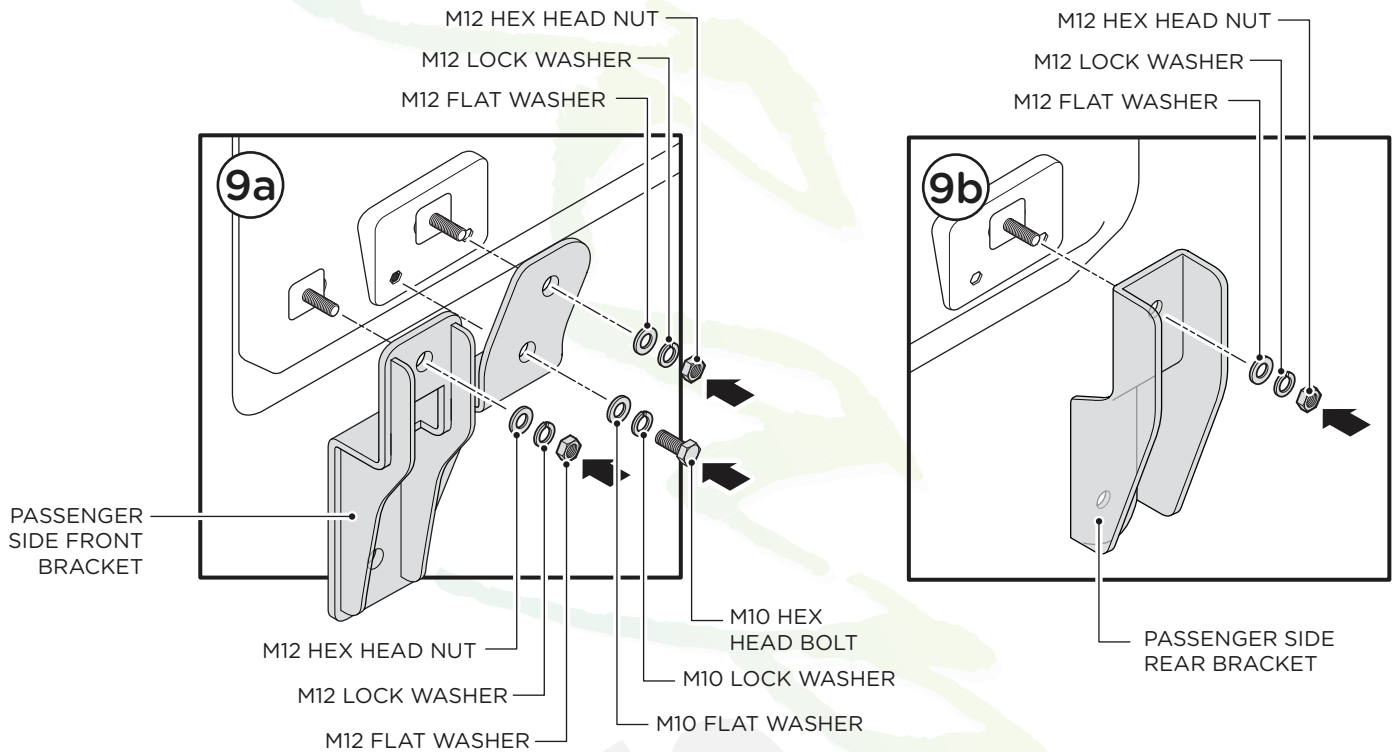
Slide the Plastic Push Nut over the Stud on the M12 Bolt Plate (8a).

Slide the M12 Bolt Plate into the oblong hole in the Rocker Panel (8b) until the M12 Bolt Plate drops through oblong hole (8c).

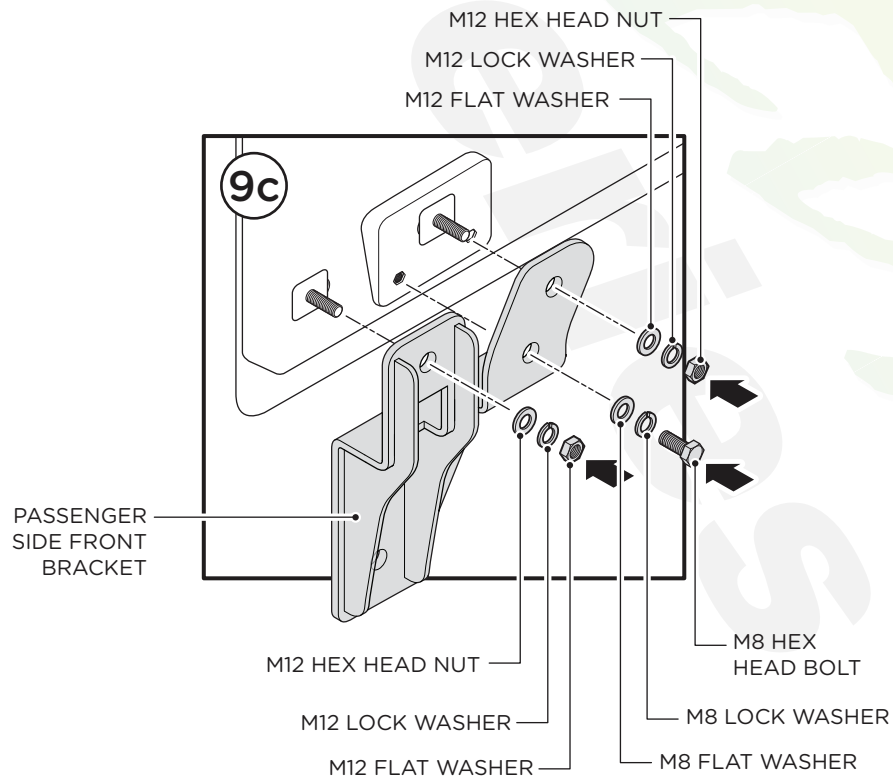
**Note:** If truck has smaller front hole, use M8 bolt plate and hardware.



9. Align the Passenger Side Front Bracket with the threaded studs of the Bolt Plates and the Hex hole in the Rocker Panel. Align the Passenger Side Rear Bracket with the threaded stud of the M12 Bolt + M10 Nut Plate and fasten as shown (9b). If lower holes are pre-threaded, fasten using one (1) M8 Hex Head Bolt, one (1) M8 Flat Washer and one (1) M8 Lock Washer (9c).

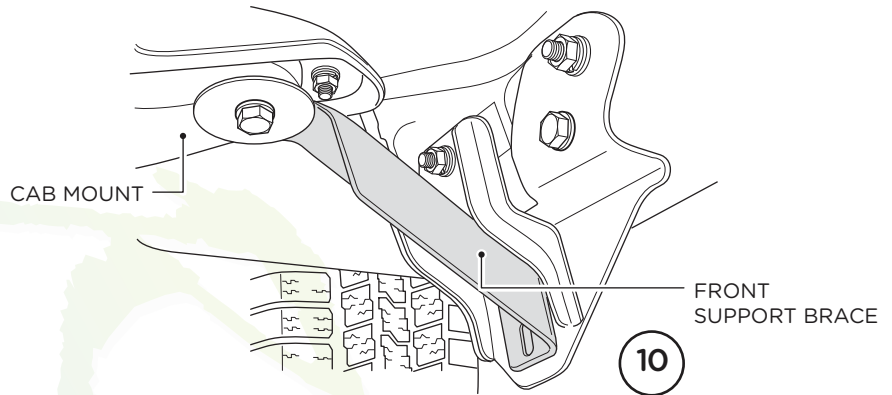


**IF LOWER HOLES ARE PRE-THREADED**



**10.** Align the Front Support Brace to the Passenger Side Front Bracket and the Cab Mount Location.

Attach top end of Front Support Brace using the existing cab mount bolt.



**11.** Fasten the Step Bar to the Front and Rear Brackets using one (1) M14 x 60MM Bolt, one (1) M14 Lock Washer and one (1) M14 Flat Washer per bracket.

**Note:** When securing the Step Bar to the Passenger Side Front Bracket make sure hardware is installed through hole in Front Support Brace.

Repeat these steps for driver side installation. When all hardware is in place, everything must be tightened. See Page 1 for Torque Specifications.

**Note:** If driver side front has factory installed rocker panel support brace, A modified driver front bracket will be used. M12 Bolt + M10 Nut Plate will not be used.

