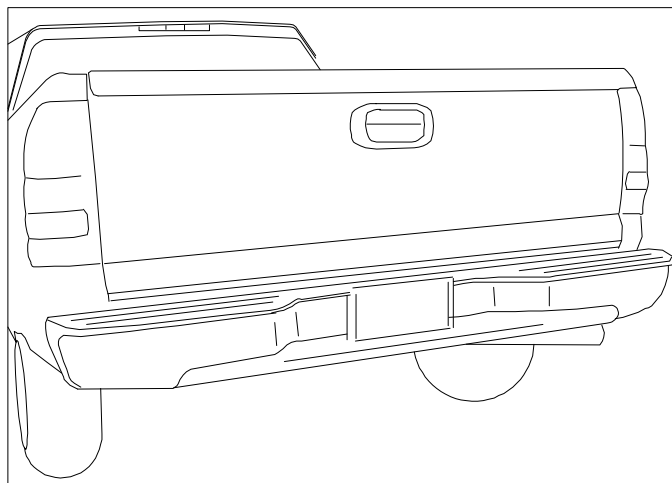




INSTALLATION INTRUCTIONS

APPLICATION: 1999-2007 SILVERADO/ SIERRA "CLASSIC" 1500/1500HD/2500LD
 2001-07 SILVERADO/ SIERRA "CLASSIC" 2500HD/3500
 2000-06 TAHOE/ SUBURBAN/ YUKON/ YUKON XL

BUMPER KIT: 31006 31013 31014
 32006 32013 32014



PERFECT MATCH BUMPER

MOUNTING KIT CONTENTS

ITEM	QTY	DESCRIPTION
1	1	MOUNTING BRACKET, DRIVER SIDE, OUTER
2	1	MOUNTING BRACKET, DRIVER SIDE, INNER
3	1	MOUNTING BRACKET, PASSENGER SIDE, OUTER
4	1	MOUNTING BRACKET, PASSENGER SIDE, INNER
5	2	M14-2.0 X 40 HEX HEAD BOLT
6	2	M14-2.0 HEX NUT
7	4	M14 FLAT WASHER
8	2	M14 SPLIT LOCK WASHER
9	2	1/2-13 X 1.25 CARRIAGE SCREW
10	8	1/2-13 X 1.5 HEX HEAD BOLT
11	10	1/2" SPLIT LOCK WASHER
12	12	1/2" FLAT WASHER
13	12	1/2-13 HEX NUT
14	2	3/8-16 X 1.5 HEX HEAD BOLT
15	2	3/8-16 HEX NUT
16	4	3/8" FLAT WASHER
17	2	3/8" LOCK WASHER

TOOLS REQUIRED

9/16" SOCKET
 9/16" WRENCH
 22mm SOCKET
 22mm WRENCH
 3/4" SOCKET
 3/4" WRENCH
 RATCHET
 TORQUE WRENCH
 WIRE CRIMPING TOOL

BUMPER KIT CONTENTS

QTY	DESCRIPTION
1	BUMPER
1	LICENSE PLATE MOUNT / LIGHT KIT #887153

STEP 1: 5.5' BED ONLY - Remove the 10mm shackle bolt nuts from both frame rails prior to installing mounting brackets (See Figure 1).

STEP 2: Using 3/8 inch, 1/2 inch and M14 hardware, loosely install inner and outer mounting brackets on the inside and outside of truck frame rails. Refer to Figure 1 and 2.

DO NOT TIGHTEN mounting hardware.

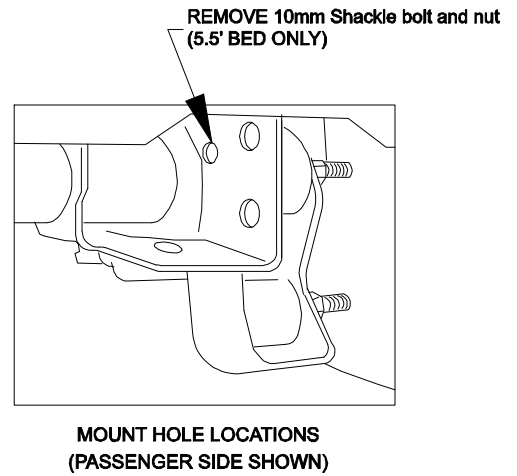
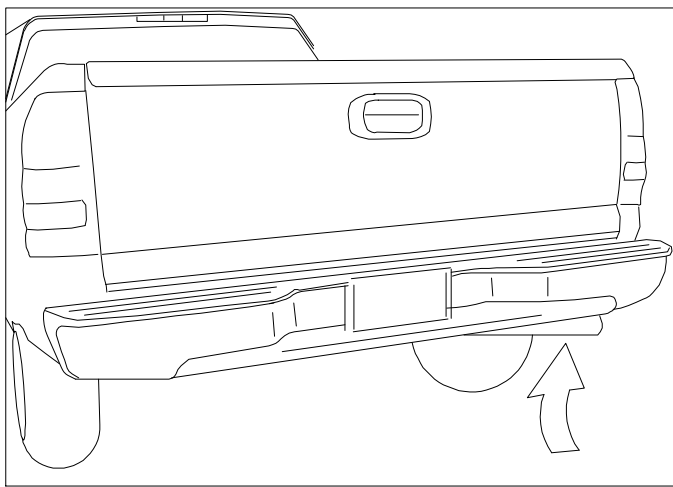


FIGURE 1

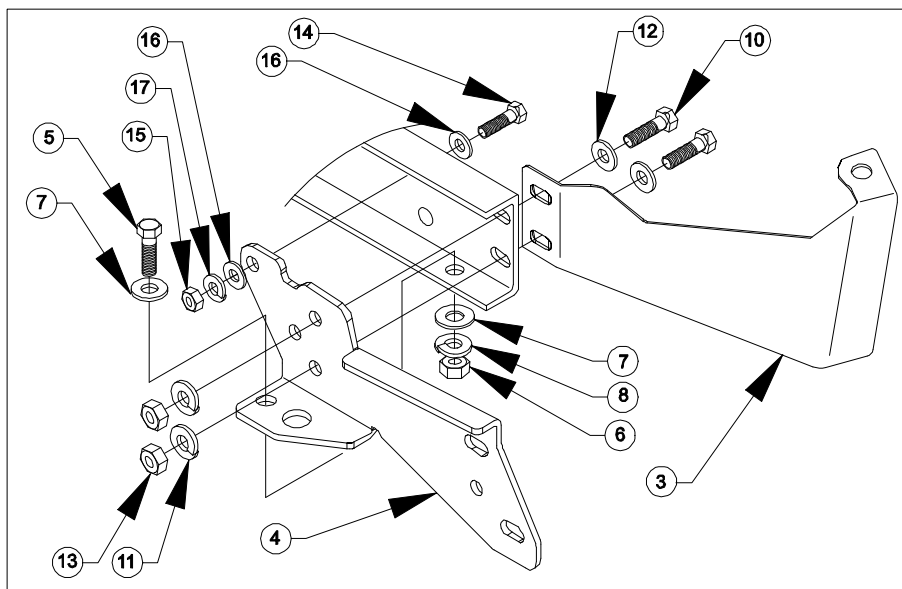


FIGURE 2
(PASSENGER SIDE SHOWN)

STEP 3: Install bumper onto mounting brackets with inner brackets inside of bumper hitch. Use remaining 1/2 inch hardware. **DO NOT TIGHTEN.** See Figure 3, 4 and Detail A.

STEP 4: Position bumper squarely to tailgate and allow clearance for tailgate to open. Tighten hardware as follows:

- 3/8 inch to 35-40 ft lbs
- 1/2 inch to 60-65 ft lbs
- M14 to 70-80 ft lbs

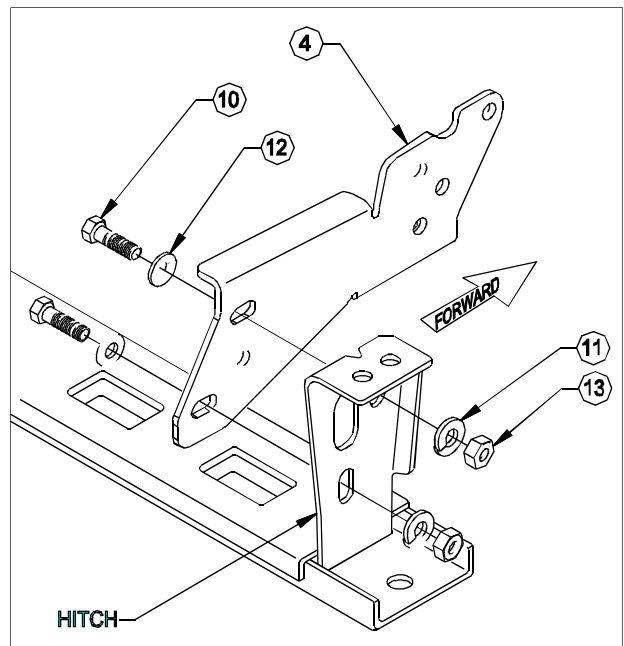
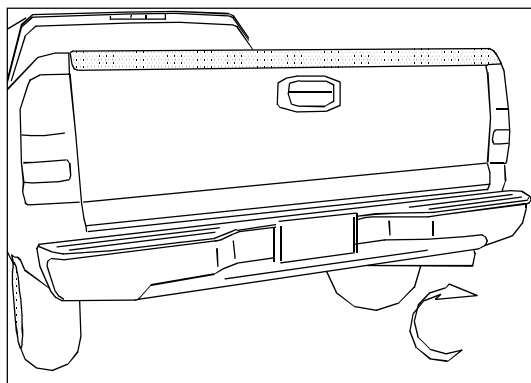


FIGURE 3

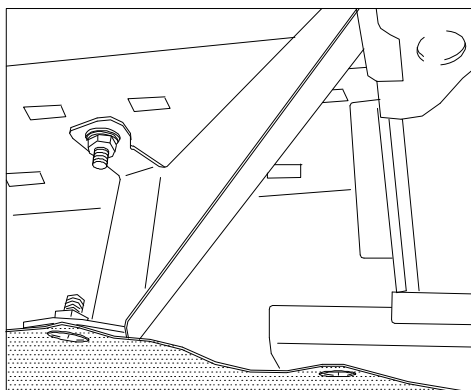
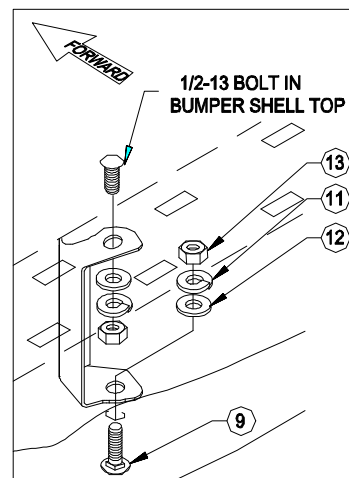


FIGURE 4



DETAILA

STEP 5: Using square plastic grommets and sheet metal screws, install license plate.
See Figure 5.

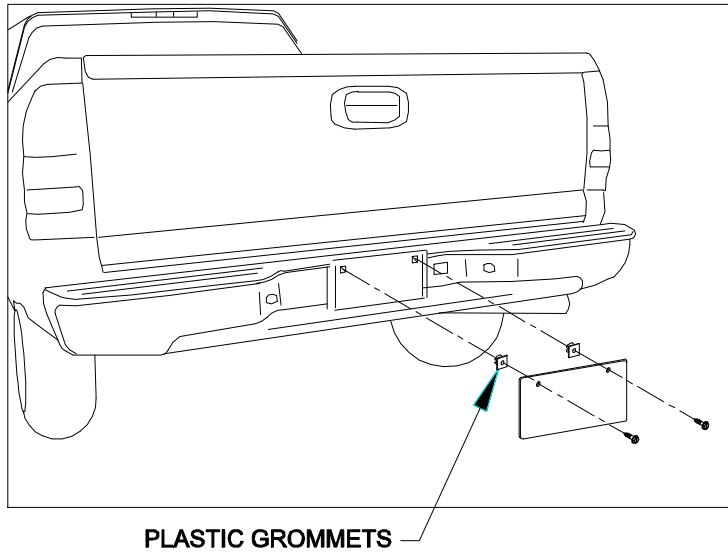


FIGURE 5

STEP 6: Install license plate lights into bumper (Figure 6). Using supplied connectors, splice license plate light wires into truck illumination wire as shown in Figure 6. Make sure license plate lights are working properly.

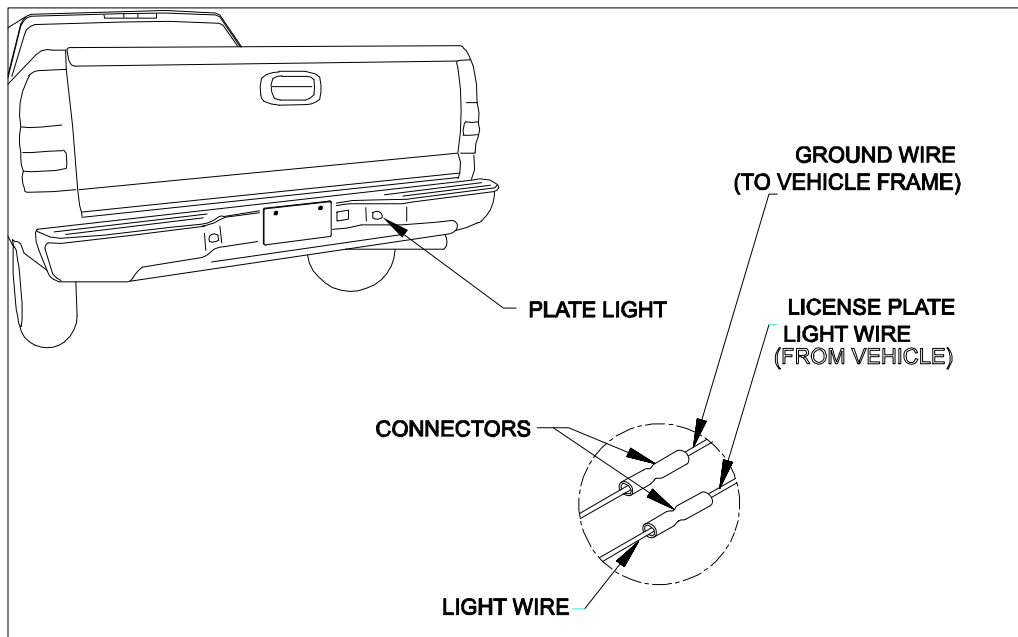


FIGURE 6