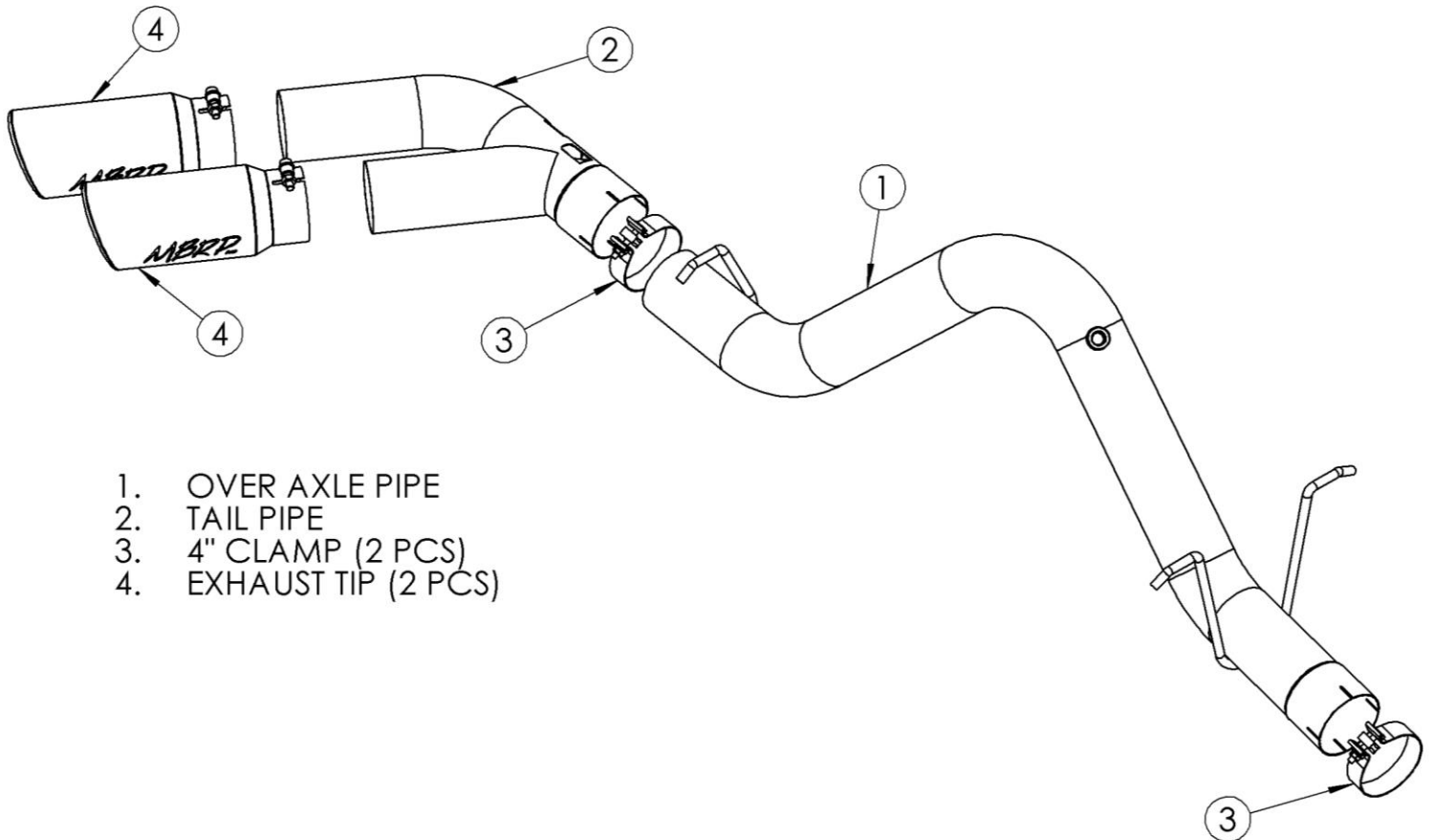


# S6041

CHEV/GMC 2016, 2500/3500 DURAMAX  
ALL LML, DPF BACK, 4" SINGLE SIDE DUAL  
OUTLET

**MBRP**  
INC.  
PERFORMANCE EXHAUST



1. OVER AXLE PIPE
2. TAIL PIPE
3. 4" CLAMP (2 PCS)
4. EXHAUST TIP (2 PCS)

## PLEASE READ BEFORE STARTING INSTALLATION

While MBRP Inc. has made every effort to ensure that all components of this system are of superior quality and properly packaged, it is the installer's responsibility to ensure the following before removal of the factory exhaust:

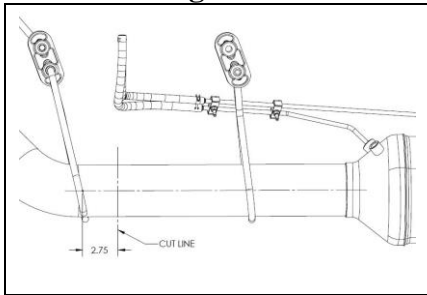
- that ALL components shown above are present.
- that ALL mating components fit together.
- that there are no damaged components.
- that the system you have purchased is appropriate for your vehicle year, model and configuration.
- that the system will not interfere with any modifications previously installed or planned.
- that you have read and understand these instructions.

If you have any questions or are uncertain about any aspect of the installation of this system to your vehicle please contact your dealer before commencing installation.

**Removal of Stock System:**



**Figure 1**



**Figure 2**



**Figure 3**



**Figure 4**



**Figure 5**

1. Apply a penetrating lubricant liberally to all hangers and rubber insulators.
2. Remove temperature sensor from **Over-Axle pipe**. Some models may be equipped with a plug instead of a sensor. **Do not discard plug as it is required for installation.**  
**Refer to Figure 1.**

3. Mark a cut line 2.75" in front of the hanger in front of the rear axle on the factory system.  
**Refer to Figure 2.**

4. Verify the cut line. It should be approximately 24" from the front of the axle tube. You can also leave the factory pipe long and line up the supplied **Over-Axle Pipe** expansion before making the final cut. Cut the factory pipe at the cut line.  
**Refer to Figure 3.**

5. Unhook the three factory rubber insulators from the exhaust and remove the factory pipe.

**Installation of MBRP Inc. Performance Exhaust:**

1. Place a **Clamp** over the factory extension pipe and feed the **Over-Axle Pipe** over the rear axle from the front. Slip the **Over-Axle Pipe** over the factory extension pipe.  
**Refer to Figure 4.**

2. Install the three **Over-Axle Pipe** hangers into the three factory rubber hangers.

3. Fasten temperature sensor or plug in bung on **Over-Axle Pipe**.

4. Place a **Clamp** over the **Tail Pipe** inlet and install the **Tail Pipe** onto the **Over-Axle Pipe**. Snug, but do not completely tighten the **Clamp**.  
**Refer to Figure 5.**



**Figure 6**



**Figure 7**

5. Install the **Exhaust Tips** and adjust to your liking. The **Exhaust Tips** can only be installed on the straight sections of the **Tail Pipe**. Attempting to force them back farther may not allow them to tighten and align properly. **Refer to Figures 6 and 7.**

6. Once everything is aligned completely tighten all **Clamps**.

7. Check along the whole length of the exhaust system to ensure that there is adequate clearance around the spare tire, fuel and brake lines or any wiring. If there is any interference detected relocate or adjust.

8. It is recommended to tack weld each joint, including the **Exhaust Tips** to ensure vibrations do not allow any pieces to become detached.



**Congratulations!** You are ready to begin experiencing the improved power, sound and driving experience of your **MBRP Inc.** performance exhaust system. We know you will enjoy your purchase.