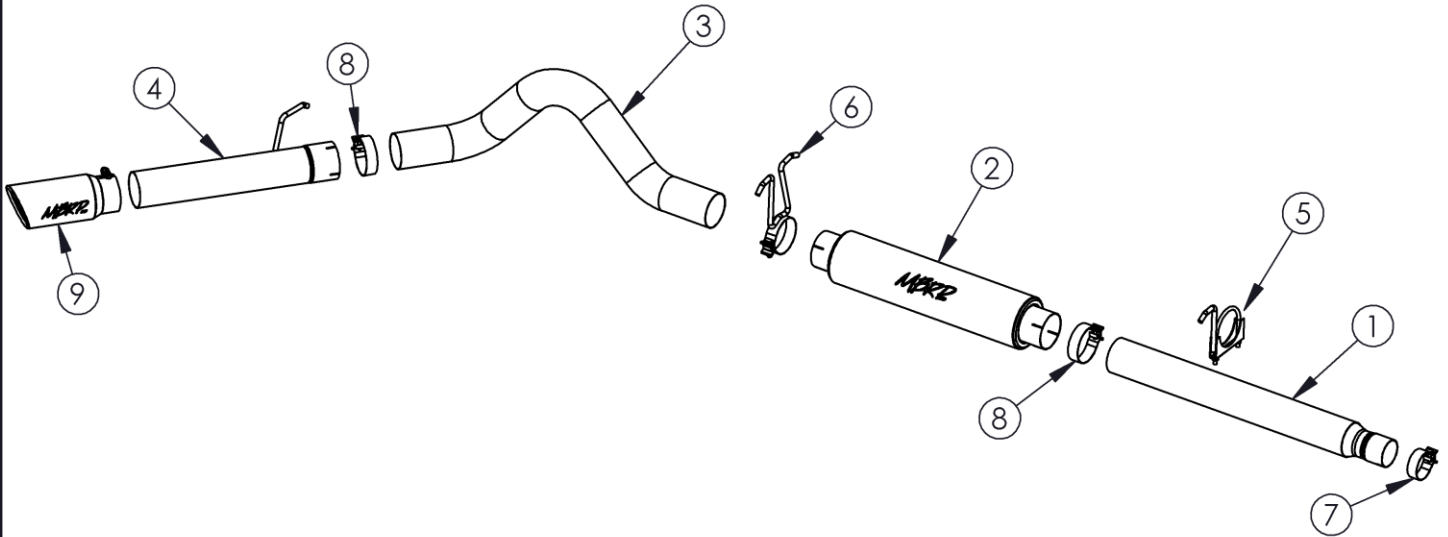


**S5206**

99-04 FORD F250/F350, 6.8L (V10), CAT  
BACK, 4" SINGLE SIDE

**MBRP**  
INC.

**PERFORMANCE EXHAUST**



1. EXTENSION PIPE
2. HIGH FLOW MUFFLER
3. OVER-AXLE PIPE
4. TAIL PIPE
5. 4" HANGER CLAMP
6. 4" HANGER CLAMP
7. 3" CLAMP
8. 4" CLAMP
9. EXHAUST TIP

### **PLEASE READ BEFORE STARTING INSTALLATION**

**While MBRP Inc. has made every effort to ensure that all components of this system are of superior quality and properly packaged it is the installer's responsibility to ensure the following before removal of the factory exhaust:**

- that ALL components shown above are present.
- that ALL mating components fit together.
- that there are no damaged components.
- that the system you have purchased is appropriate for your vehicle year, model and configuration.
- that the system will not interfere with any modifications previously installed or planned.
- that you have read and understand these instructions.

If you have any questions or are uncertain about any aspect of the installation of this system to your vehicle please contact your dealer before commencing installation.

**Removal of stock system:**



**Figure 1**

1. Loosen the nut on the band clamp located behind the catalytic converter using a 15mm wrench or socket. See Figure 1.
2. Remove the muffler and tail pipe from the OEM rubber hangers. On '03 and '04 trucks remove bottom shock bolt of passenger side shock to remove system in one piece. Separate the stock exhaust from the slip joint located behind the catalytic converter. Remove the muffler and tail pipe from under the truck. Re-install the shock bolt.

**Installation of MBRP Inc. Performance Exhaust:**

**Figure 2**



1. Hang the "T" Clamp in the factory rubber isolators located right above where the rear of the factory muffler was located. Temporarily hang the Muffler in place and measure from the front of the Muffler to the short length of factory pipe attached to the rear of the catalytic converter. This will give you the required length for the extension pipe.
2. Cut the Extension Pipe to the required length and attach it to the factory pipe behind the catalytic converter, securing it using the provided 3" Clamp. See Figure 2.
3. Install the Muffler over the Extension Pipe securing them with one of the provided 4" Clamps. The Hanger Clamp is used at the connection between the Muffler and the Extension Pipe and installed into the OEM rubber hanger position. Install the "T" Hanger Clamp into the two OEM rubber hangers located above the outlet of the Muffler.
4. Install the Over-Axle Pipe from the rear of the truck, over the axle and attach to the Muffler outlet, securing it using the "T" Hanger Clamp.
5. Install the Tail Pipe from the rear of the truck, attach to the Over-Axle Pipe outlet. Install the tail pipe hanger into the OEM hanger to complete, securing it using the remaining 4" Clamp.
6. Adjust Tail Pipe and check along the whole length of the exhaust system to ensure that there is adequate clearance around the spare tire, fuel and break lines or any wiring. If any interference is detected relocate or adjust.
7. Make sure the exhaust is in place before tightening clamps. Start at the front of the exhaust system and begin tightening all connections.

**Congratulations!** You are ready to begin experiencing the improved power, sound and driving excitement of you MBRP Inc. Performance Exhaust system. We know you will enjoy your purchase.