



# SKY RIDGE - 20026 & 20027 270XL AWNING INSTALLATION INSTRUCTIONS



## Features

### 270° XL AWNING

Congratulations on your purchase of the 270° XL Awning. Your awning is designed to be mounted directly to your roof rack or aftermarket roof bar. It deploys and fully setup in just a few minutes. The Awning is made using the best materials and construction methods that will provide excellent protection from the elements.

#### WARNING

Incorrect installation or use of your awning could result in damage to awning, furthermore, serious injury or death. Please follow these installation instructions carefully to ensure proper installation on your vehicle. It is recommended that you contact your vehicle or accessory manufacturer for specified loading capacity of your roof rack. Unfortunately, not all factory roof racks, or aftermarket roof bars can safely accommodate all models.

Accessory add ons, such as awnings can change the normal vehicle handling. The purchaser assumes all risks and responsibility in case of any accidents due to improper use, improper maintenance, or checking the tightness of the brackets regarding the installation of the roof rack system.

Inspection: It is recommended that you regularly check all nuts and bolts related to the mounting system of your awning and vehicle that they are tight and in good repair, prolonged use on rough and corrugated terrain will require more regular inspection.

Structural Integrity: The Awning is Self-Supporting and is designed for general camping under normal conditions and is recommended that the supplied guy lines are used to provide additional support at the end of each arm.

To avoid the chance of damage or injury it is recommended that the awning should not be erected during windy conditions. We recommend to conceal the awning past 25mph winds. Damage caused by incorrect installation or adverse weather conditions will not be covered by warranty

#### CLEANING & STORAGE

- Use cold water with a soft bristle brush, DO NOT use Soaps, Bleaches, or any other abrasive cleaners as this may result in damage to the fabric.
- Avoid storing your awning&walls when wet. If conditions dictate that you do, open, and dry out as soon as possible to avoid mildew.

#### SAFETY WARNING

- KEEP ALL FLAME AND HEAT SOURCES AWAY FROM THE AWNING&WALL MATERIALS. UNDER NO CIRCUMSTANCE SHOULD ANY NAKED FLAME SOURCES OR HEATING DEVICES BE USED INSIDE OR NEAR THE AWNING
- DO NOT OPERATE ANY DEVICE WHICH BURNS FUEL INSIDE. KEEP EXIT CLEAR.

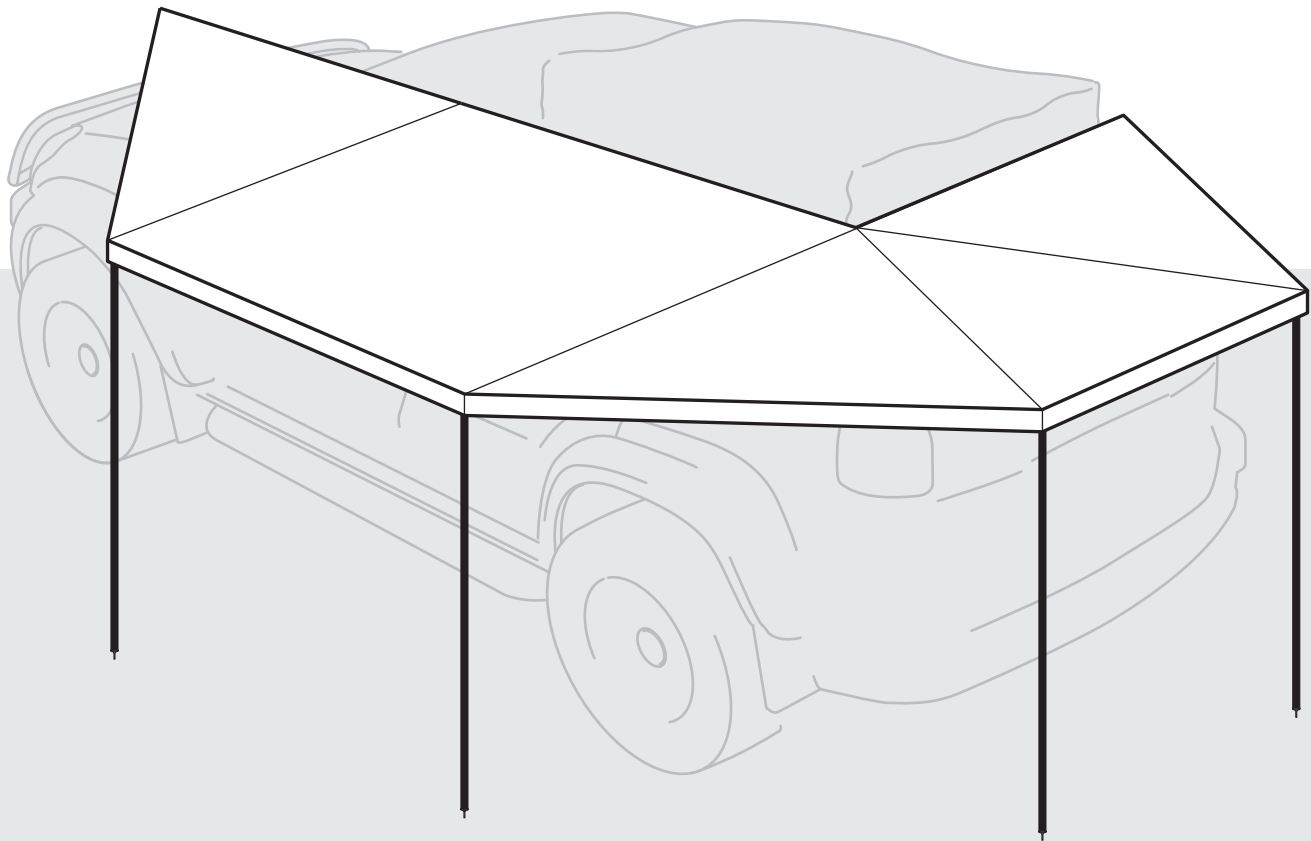


# SKY RIDGE - 20026 & 20027 270XL AWNING INSTALLATION INSTRUCTIONS



## Features

### 270°XL AWNING SET-UP & CARE INSTRUCTIONS



**CAREFULLY READ INSTRUCTIONS PRIOR  
TO FIRST USE OF THE 270° AWNING**  
IF YOU REQUIRE ADDITIONAL ASSISTANCE,  
CONTACT YOUR RETAILER

☎ 951.808.0750  
✉ [ORDERS@BODYARMOR4X4.COM](mailto:ORDERS@BODYARMOR4X4.COM)

**BODY 4  
ARMOR 4**

## Features

### 270°XL AWNING

SET-UP & CARE INSTRUCTIONS

#### GET TO KNOW YOUR AWNING

We recommend you check all parts are included prior to first use.

##### 270° CONTENTS

1 270° Awning	6 25mm M8 mounting bolts and nuts	2 Tension straps
3 Mounting brackets	6 Twist-lock leg poles (3 in a canvas bag)	11 Pegs
6 'U' Bolts with nuts and washers		11 Guy Lines

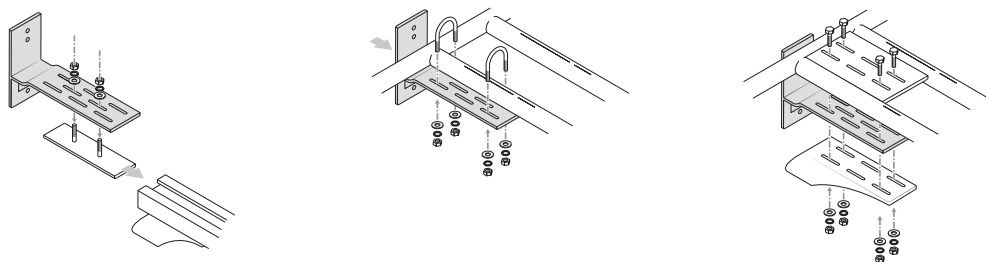
#### ATTACHING BRACKET TO ROOF-RACK

1

Awning brackets have been designed to fit most common roof rack configurations. However, with the ever increasing number of roof rack designs available it is difficult to supply a mounting bracket to accommodate all. Below are examples of how to mount the Awning brackets to Flat style and Basket style roof racks. The bracket can also be mounted on roof

bars, however, additional specific attachments may need to be sourced from your roof rack supplier.

If in doubt, visit your roof rack specialist for specific roof rack mounting options and advice on load capacities.



#### ATTACH AWNING TO BRACKET

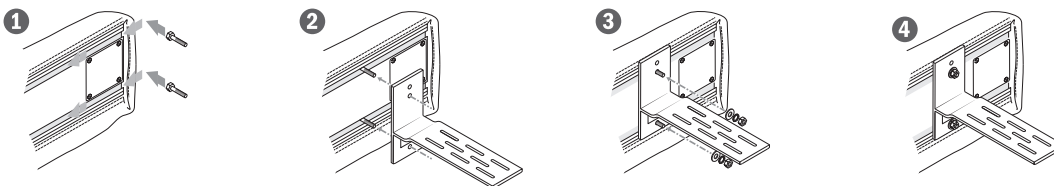
Recommend using an experienced after-market 4x4 Accessories fitter to mount the Awning to your vehicle. Fasteners and fixing connections should be checked regularly on both the awning and roof rack to ensure the awning is always mounted securely to your vehicle roof rack.

**!** Ensure the unsupported ends of the awning do not exceed 500mm.

Body Armor 4X4 takes no responsibility for the fitment of the Awning to any vehicle or roof rack.

2

Insert supplied 25mm M8 bolts into grooves in aluminium backing plate.



**!** PROLONGED TRAVELING ON UNEVEN ROUGH OR CORRUGATED TERRAIN WILL REQUIRE MORE FREQUENT INSPECTIONS.

# Features

## 270°XL AWNING

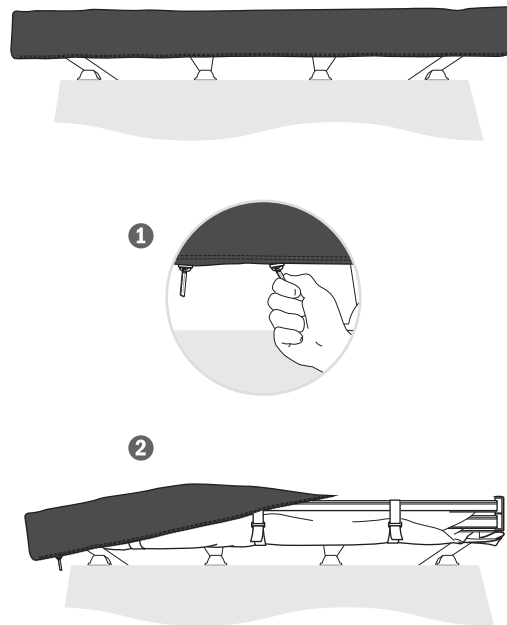
SET-UP & CARE INSTRUCTIONS

### SET-UP

3

#### REMOVE COVER

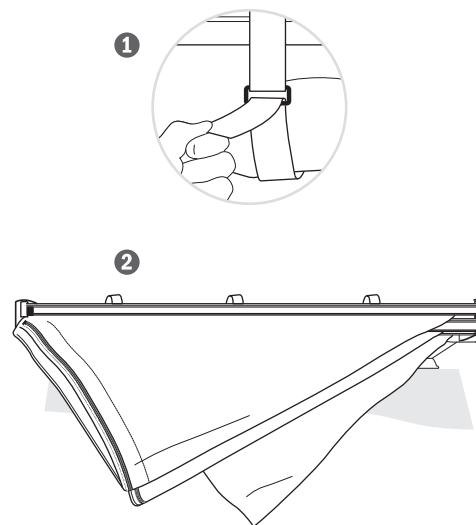
Unzip cover and fold it over the awning body.



4

#### RELEASE AWNING

Release the three Velcro straps and allow canvas to drape.



## Features

### 270°XL AWNING

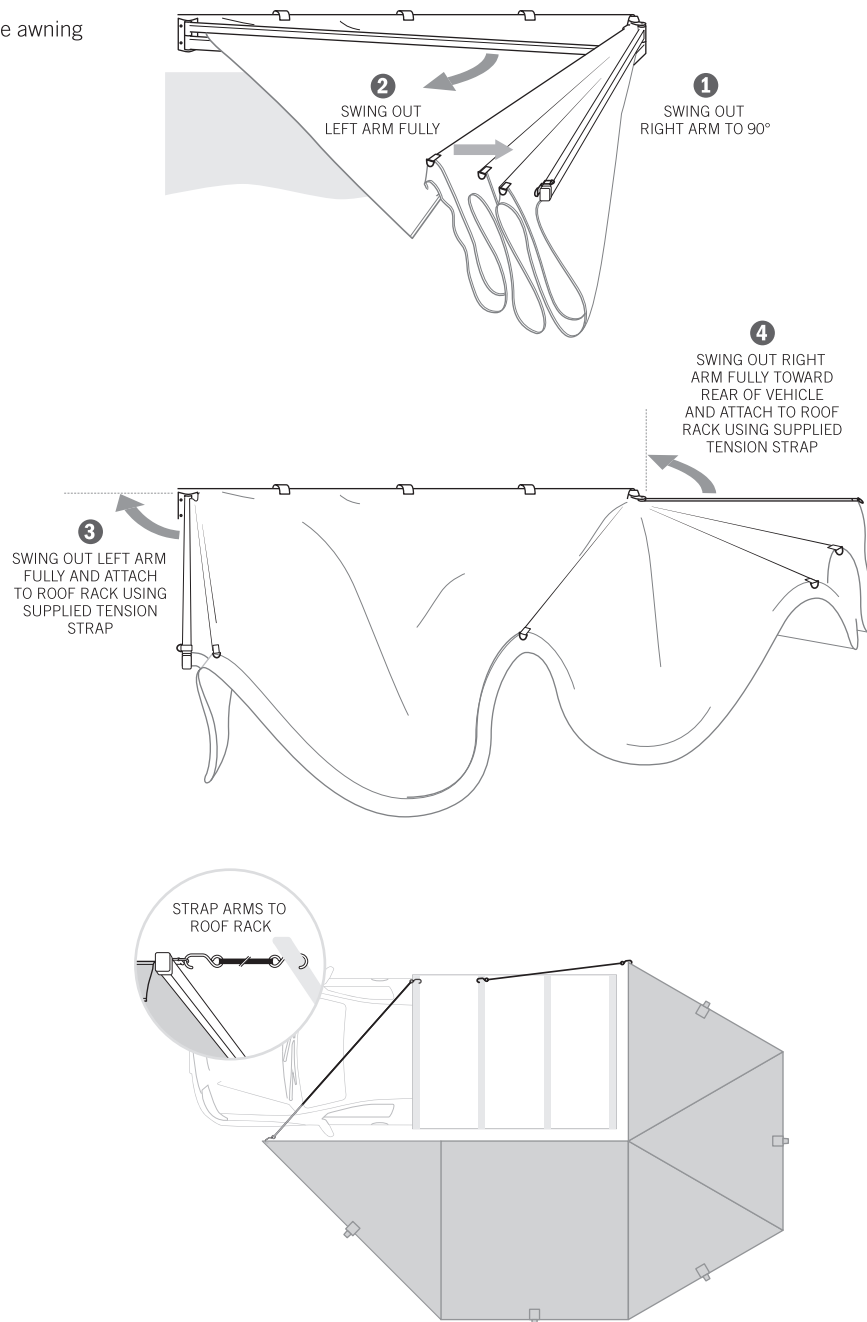
SET-UP & CARE INSTRUCTIONS

#### SET-UP

5

##### OPENING

To begin setting up the awning follow steps 1 to 4



## Features

### 270°XL AWNING

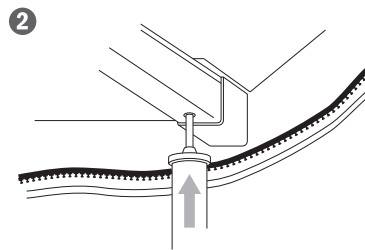
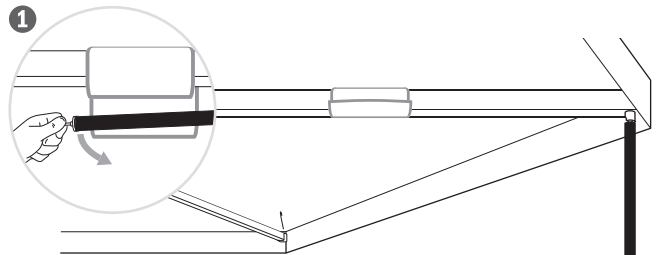
SET-UP & CARE INSTRUCTIONS

#### SET-UP

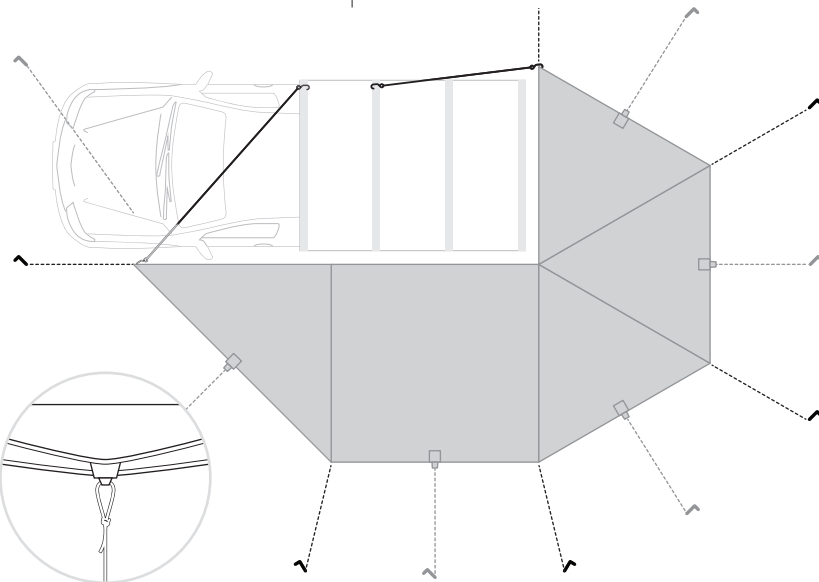
6

##### POLE SET-UP

- Undo the Velcro straps securing each support leg. Leg will pivot down to a vertical position. Adjust to desired height by unlocking and locking the internal twist locking mechanism.
- Attach 3 x additional support poles to 3 x remaining rafters by inserting spigot into holes at end of rafter.
- Secure the end of each rafter by anchoring and tensioning guy ropes.



**!** IF ATTACHING OPTIONAL WALLS, EACH RAFTER MUST BE SUPPORTED BY A LEG POLE.



**TIP** IN CASE OF RAIN, LOWER THE SUPPORT LEGS TO ALLOW DOWNWARD SLOPE AND GUY OFF BETWEEN RAFTERS TO FORM VALLEYS FOR WATER RUN-OFF.

## Features

### 270°XL AWNING

SET-UP & CARE INSTRUCTIONS

#### PACK-DOWN

7

##### PACK-DOWN

- Undo all pegs / guy lines.
- Fold away legs and stow away using attached velcro straps.
- Stow 3 x additional legs in canvas carry bag.
- Release front and rear tension straps.
- Fold the RHS of awning back 90° from the awning body ensuring the top rafters sit directly on top of the bottom rafters.
- Fold the LHS of awning back 90° from the awning body ensuring the top rafters sit directly on top of the bottom rafters.
- At this point fold the LHS of the awning toward the awning body followed by the RHS. Canvas should drape down in a triangular shape.
- Roll canvas and secure using Velcro straps.
- Position PVC bag over awning and zip up to complete pack down.

**!** DO NOT STOW THE CANVAS CARRY BAG CONTAINING THE ADDITIONAL LEGS INSIDE THE AWNING'S TRANSIT COVER.



**TIP** A LOOSE ROLL IS BETTER THAN A TIGHT ROLL. THIS WILL ALLOW THE CANVAS TO FOLD FLAT AGAINST THE AWNING MAKING IT EASIER TO ZIP UP THE TRANSIT COVER.

