



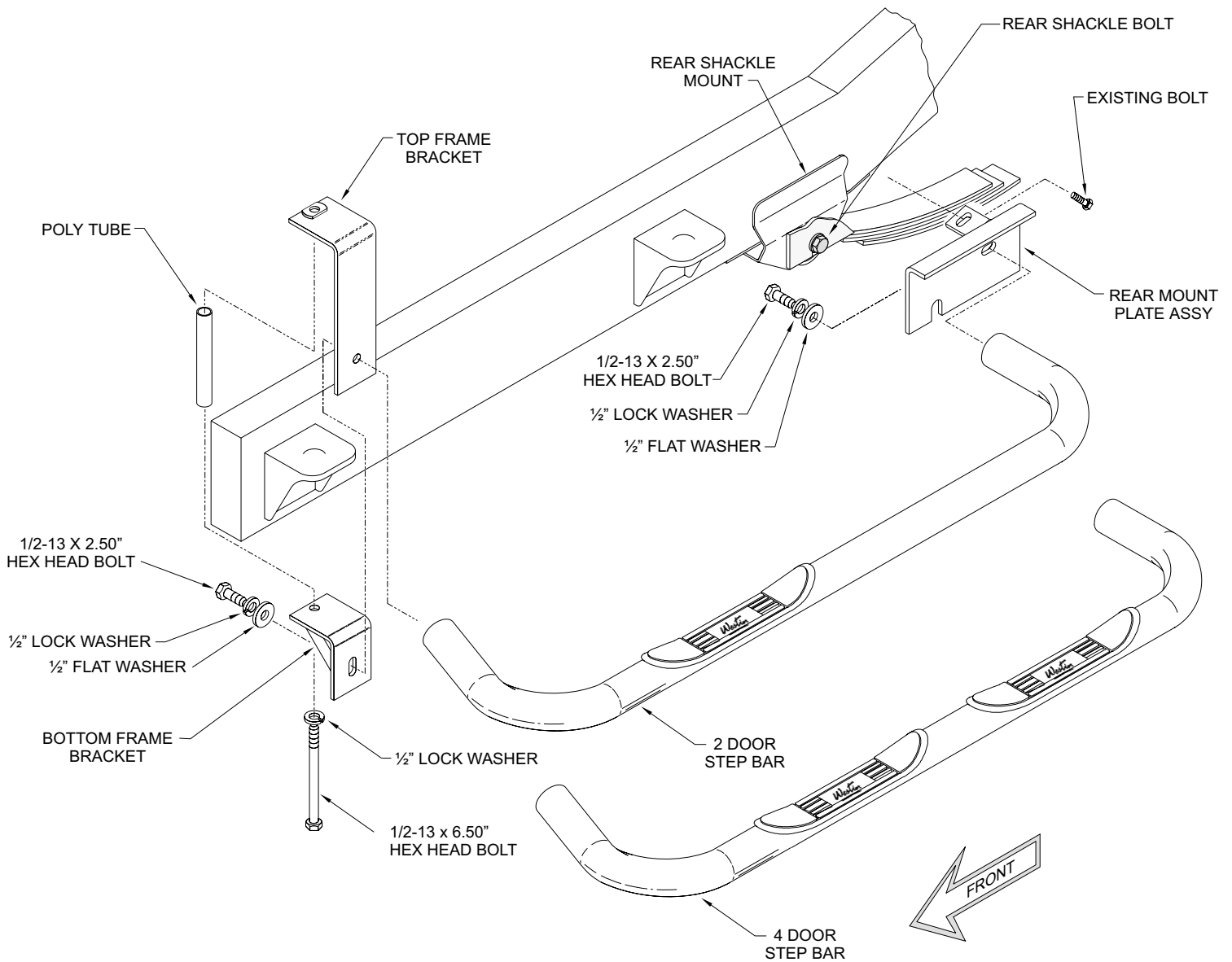
# INSTALLATION INSTRUCTIONS

APPLICATION: 1995 - 2000 FORD EXPLORER 2 DOOR  
1995 - 2000 FORD EXPLORER 4 DOOR

## AUTOMOTIVE PRODUCTS, INC.

<p>STEP BAR ASSEMBLIES</p> <p><b>25-0760</b> <b>25-0765</b> <b>25-1870</b> <b>25-1875</b></p>		
<p><b>QTY</b></p>	<p><b>PARTS KIT CONTENTS</b></p> <p><b>DESCRIPTION</b></p>	<p><b>TOOLS REQUIRED</b></p>
<p>1</p>	<p>STEP BAR ASSEMBLY - PASSENGER SIDE</p>	<p>14MM SOCKET</p>
<p>1</p>	<p>STEP BAR ASSEMBLY - DRIVER SIDE</p>	<p>3/4" WRENCH</p>
<p>2</p>	<p>TOP FRAME BRACKET</p>	<p>3/4" SOCKET</p>
<p>2</p>	<p>BOTTOM FRAME BRACKET</p>	<p>21MM SOCKET</p>
<p>1</p>	<p>REAR MOUNT PLATE ASSY, PASSENGER</p>	<p>TORQUE WRENCH</p>
<p>1</p>	<p>REAR MOUNT PLATE ASSY, DRIVER</p>	<p>RATCHET</p>
<p>2</p>	<p>3/4" O.D. POLY TUBE</p>	<p>HAMMER</p>
<p>2</p>	<p>1/2-13 X 6.50" HEX HEAD BOLT</p>	
<p>4</p>	<p>1/2-13 X 2.50" HEX HEAD BOLT</p>	
<p>4</p>	<p>1/2" FLAT WASHER</p>	
<p>6</p>	<p>1/2" LOCK WASHER</p>	

- STEP 1. Remove the contents from the box and check for any damage. Verify all parts against the parts list.
- STEP 2. Read and understand instructions completely before beginning installation.
- STEP 3. Loosen the rear Shackle Bolt that faces the outside of the truck. **CAUTION: Do not remove the bolt!**
- STEP 4. Remove the smaller shackle bolt located just above the leaf spring and to the rear of the shackle mount. Install the Rear Mount Plate with the bolt just removed.
- STEP 5. Install Top Frame Bracket over top edge of frame where it has clearance and slide it next to body mount as shown.  
\*NOTE: On 2DR models, the bracket may be tight against the floor. It may be necessary to tap it over with a hammer.
- STEP 6.. Position Bottom Frame Bracket against frame. Align hole with Top Frame Bracket.
- STEP 7. Insert (1) 1/2-13 X 6-1/2" Hex Head Bolt and 1/2" Lock Washer through the Bottom Frame Bracket, Poly Spacer Tube and thread into Top Frame Bracket. Leave loose.
- STEP 8. Bolt Step Bar Tube to the Brackets using (2) 1/2-13 x 2.50" Hex Head Bolts. Leave loose. Repeat steps 3 through 8 for opposite side.
- STEP 9. Tighten and torque fasteners to: 1/2" fasteners                      65 Ft. Lbs.



**FIGURE 1**  
DRIVER SIDE SHOWN-PASSENGER OPPOSITE

Finish protection - Westin products have a high quality finish that must be cared for like any other exposed finish on the vehicle. Protect the finish with a non-abrasive automotive wax (pure carnauba, for example) on a regular basis. The use of cleaner wax or any compound which contains an abrasive is detrimental, as the compounds scratch the finish and open it to corrosion.