



INSTALLATION INSTRUCTIONS

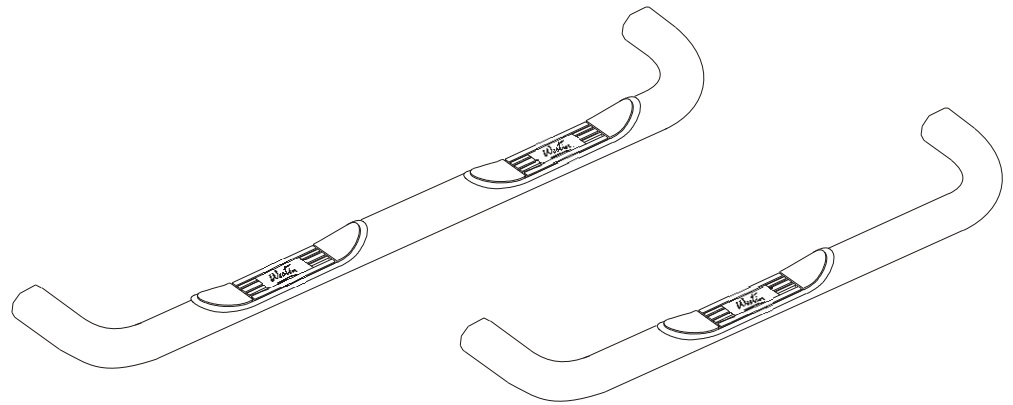
APPLICATION: 1988-99 GM C/K SERIES PICKUP EXT. CAB
1992-00 GM C/K SERIES PICKUP CREW CAB

1997-99 GM C/K SERIES PICK-UP 3 DOOR
1995-99 CHEVY TAHOE 2 DOOR
1988-99 GM C/K SERIES PICK-UP REG. CAB
1992-94 CHEVY BLAZER FULLSIZE 2 DOOR
1992-99 GMC YUKON 2 DOOR

AUTOMOTIVE PRODUCTS, INC.

STEP BAR ASSEMBLIES

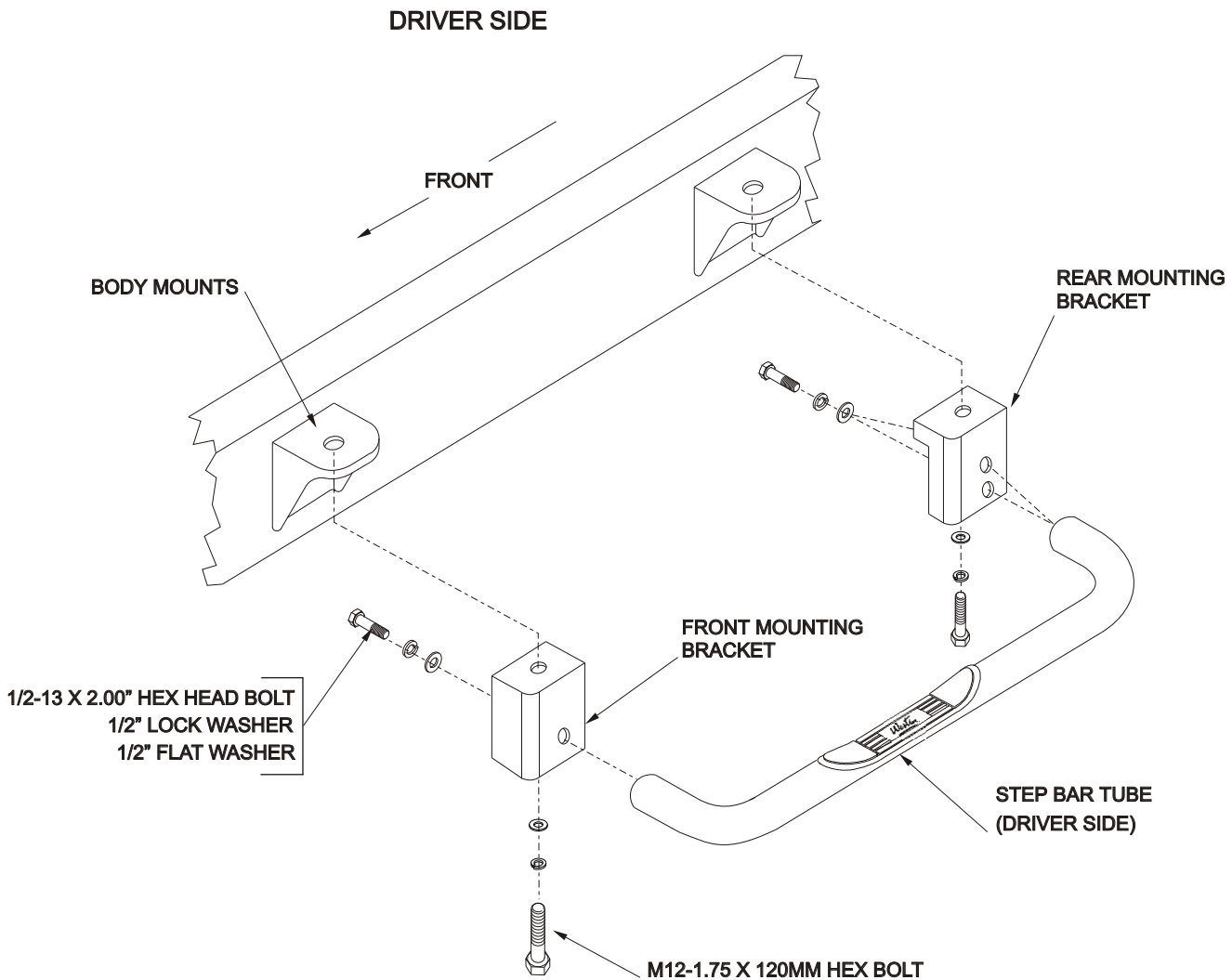
25-0500	25-0505
25-0630	25-0635
25-0850	25-0855
25-0885	25-0890
26-0500	26-0505
26-0630	26-0635
26-0885	26-0890



QTY	PARTS KIT CONTENTS DESCRIPTION	TOOLS REQUIRED
1	STEP BAR - DRIVER SIDE	15MM SOCKET
1	STEP BAR - PASSENGER SIDE	18MM SOCKET
2	FRONT MOUNT BRACKET	3/4" SOCKET
2	REAR MOUNT BRACKET	3/4" COMBINATION WRENCH
4	1/2 -13 X 2.00" HEX HEAD BOLT	TORQUE WRENCH
4	M12 - 1.75 X 120 MM LG. HEX HEAD BOLT	RATCHET
8	1/2" LOCK WASHER, ZINC PLATED	
8	1/2" FLAT WASHER, ZINC PLATED	

- STEP 1. Remove the contents from the box and check for any damage. Verify all parts against the parts list.
- STEP 2. Read and understand instructions completely before beginning installation.
- STEP 3. Bolt mount brackets to vehicle body mounts using metric bolts provided in parts kit. **See figure 1.**
- STEP 4. Position step bar up to the mount brackets and fasten with the 1/2" bolts and washers provided in the parts kit. Secure rear leg of step bar to correct hole location for your vehicle. Tube should not touch vehicle body. **See figure 1.**
- STEP 5. Check to be sure Step Bar is properly aligned with vehicle. Tighten and torque all mounting bracket bolts to 55 FT. LBS.

FIGURE 1



ASSEMBLY AND INSTALLATION VIEW OF DRIVER SIDE - PASSENGER SIDE OPPOSITE

Finish protection - Westin products have a high quality finish that must be cared for like any other exposed finish on the vehicle. Protect the finish with a non-abrasive automotive wax (pure carnauba, for example) on a regular basis. The use of cleaner wax or any compound which contains an abrasive is detrimental, as the compounds scratch the finish and open it to corrosion.



Westin Automotive Products, Inc.
5200 N. Irwindale Ave. Suite 220
Irwindale, Ca. 91706

Thank You for choosing Westin products
For additional installation assistance please call
Customer service (800) 793-7846 or (507) 375-3559