

Chrome Modular StepGuard

**-1993-1997 TOYOTA T100 P/U 4WD-
PART NO. 3705C**

PARTS LIST

2	1/4" SOCKET SCREWS	4	1/2" HEX NUTS
4	3/8" x 1 1/4" HEX BOLTS	2	TOP BUMPER BRACKETS
8	3/8" LOCK WASHERS	1	93481D 4WD DRIVER SIDE FRAME BRACKET
8	3/8" HEX NUTS	1	93481P 4WD PASSENGER SIDE FRAME BRACKET
8	3/8" x 1" BUTTON HEAD BOLTS	1	T100D 2WD DRIVER SIDE FRAME BRACKET
4	1/2" x 1 1/2" HEX BOLTS	1	T100P 2WD PASSENGER SIDE FRAME BRACKET
		2	FLANGED WASHERS

INSTALLATION INSTRUCTIONS

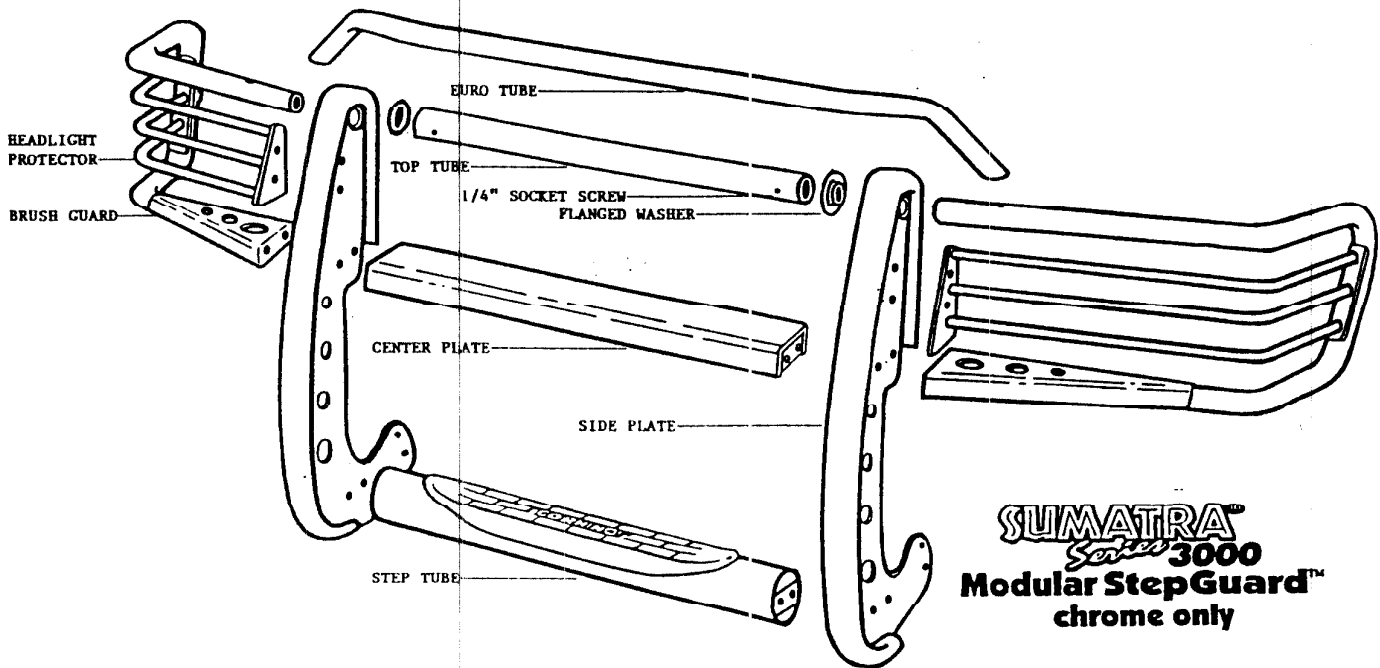
1. REMOVE TIE DOWN FROM BOTTOM OF DRIVER SIDE FRAME RAIL AT LOCATION SHOWN IN DIAGRAM.
2. USING BOLTS FROM TIE DOWN ATTACH DRIVER SIDE FRAME BRACKET TO BOTTOM OF FRAME AS SHOWN. DO NOT SECURE.
3. REMOVE TOW HOOK AND TIE DOWN FROM BOTTOM OF PASSENGER SIDE FRAME RAIL.
4. USING BOLTS AND TOW HOOK REMOVED IN STEP #3 ATTACH PASSENGER SIDE FRAME BRACKET TO BOTTOM OF FRAME. DO NOT SECURE.
5. ASSEMBLE GRILLE AND BRUSH GUARD ASSEMBLY AS FOLLOWS PER DIAGRAM.
6. PLACE CENTER GUARD SIDE PLATES ON A FLAT SURFACE FACE DOWN.
7. ATTACH BOTTOM STEP TUBE TO INSIDE OF GRILLE GUARD SIDE PLATES USING 3/8" x 1" BUTTON HEAD BOLTS. (NOTE: DO NOT SECURE).
8. ASSEMBLE BRUSH GUARDS LEFT AND RIGHT BY SLIDING THROUGH SIDE PLATES, FLANGED WASHERS THEN INTO TOP TUBE. (NOTE: LUBRICATE BRUSH GUARD TUBES TO EASE ASSEMBLY).
9. ATTACH EURO TUBE TO BRUSH GUARDS USING 5/16" x 1 1/4" FLAT HEAD SCREWS AS SHOWN IN DIAGRAM. NOTE: DO NOT SECURE.
10. POSITION CENTER PLATE BETWEEN SIDE PLATES, ATTACH CENTER PLATE TO SIDE PLATES AND BRUSH GUARDS USING 3/8" x 1 1/4" HEX BOLTS, LOCK WASHERS AND HEX NUTS. NOTE: THREADS MUST FACE OUTWARDS ON BOLTS.

**GO
RHINO!** PRODUCTS

2097 Batavia Street Orange, California

Voice (714) 279-8300 Fax (714) 279-8305

11. ATTACH HEAD LIGHT PROTECTORS FIRST TO BRUSH GUARDS USING $\frac{1}{4}$ " x $\frac{3}{4}$ " BUTTON HEAD BOLTS THEN TO GRILLE GUARD USING $\frac{5}{16}$ " x 1" BUTTON HEAD BOLTS AND LOCK NUTS.
12. ALIGN GRILLE AND BRUSH GUARD ASSEMBLY AND SECURE ALL NUTS AND BOLTS. NOTE: ROTATE TOP TUBE TOWARDS GRILLE TO CONCEAL SOCKET SCREWS.
13. ATTACH GRILLE GUARD ASSEMBLY TO THE INSIDE OF GRILLE GUARD FRAME BRACKETS WITH $\frac{1}{2}$ " x $1\frac{1}{2}$ " HEX BOLTS AND NYLON LOCK NUTS AS SHOWN IN DIAGRAM. DO NOT SECURE.
14. ALIGN GRILLE GUARD ASSEMBLY WITH FRONT OF VEHICLE AND SECURE ALL NUTS AND BOLTS.
15. (OPTIONAL) ATTACH ANGLE BRACKETS TO THE INSIDE OF GRILLE GUARD SIDE PLATES WITH $\frac{3}{8}$ " x 1" BUTTON HEAD BOLTS, LOCK WASHERS AND HEX NUTS SUPPLIED.
16. ALIGN ANGLE BRACKETS WITH BUMPER AND DRILL $\frac{3}{8}$ " HOLES IN BUMPER THROUGH HOLE IN BRACKET.
17. ATTACH BRACKETS TO BUMPER WITH $\frac{3}{8}$ " x 1" BUTTON HEAD BOLTS, LOCK WASHERS, AND HEX NUTS SUPPLIED.



**GO
RHINO!** PRODUCTS

2097 Batavia Street Orange, California

Voice (714) 279-8300 Fax (714) 279-8305

**-1993-1997 TOYOTA T100 P/U 4WD-
PART NO. 3705C**

