

VOLANT AIR INTAKE SYSTEM  
 PART NO.: 158666  
 INSTALLATION INSTRUCTIONS  
 WWW.VOLANT.COM  
 TECH SUPPORT: (909) 476-7225

| 158666 PARTS LIST |                           |   |                           |   |                            |
|-------------------|---------------------------|---|---------------------------|---|----------------------------|
| 1                 | VOLANT FILTER BOX         | 1 | 4" X 3" HUMPHOSE          | 3 | 1/4" WASHERS               |
| 1                 | VOLANT FILTER BOX LID     | 1 | 3 3/4" X 3" SLEEVE        | 4 | 1/4" X 7/8" FENDER WASHERS |
| 1                 | VOLANT FILTER BOX ADAPTER | 4 | 6 MM-25 BOLTS             | 1 | 1" O-RING                  |
| 1                 | VOLANT AIR FLOW DUCT      | 3 | 1/4"-20 BOLTS             | 2 | 4 MM PLASTIC SCREWS        |
| 1                 | POWERCORE FILTER W/CLAMP  | 7 | 1/4" LOCK WASHERS         | 1 | 15866 MAF GASKET           |
| 2                 | #060 CLAMPS               | 5 | 1/4"-20 TRUSS HEAD SCREWS |   |                            |
| 2                 | #072 CLAMPS               | 5 | 1/4" RUBBER WASHERS       |   |                            |



NOTE: REMOVE THE ADHESIVE COVER FROM THE FENDER WELL IN ORDER TO INSURE MAXIMUM AIR FLOW.

(5) 1/4"-20 TRUSS HEAD SCREWS  
 (5) 1/4" RUBBER WASHERS

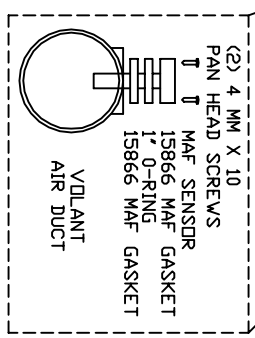
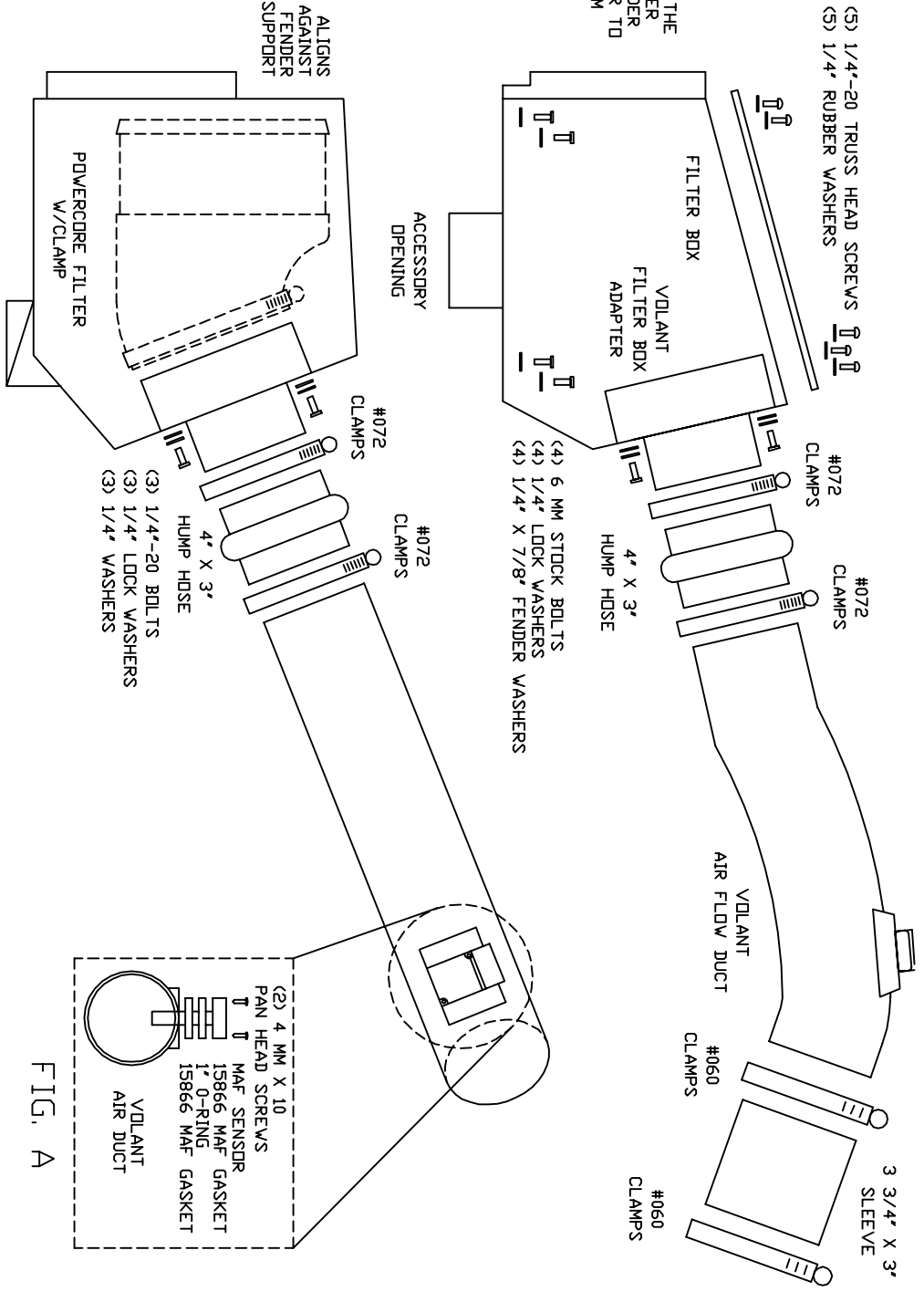
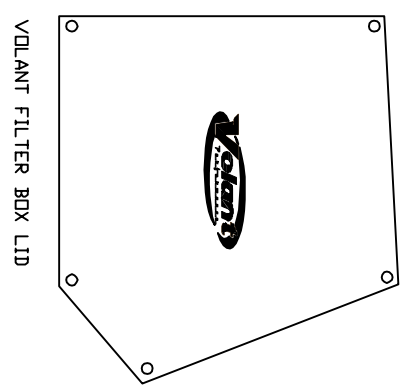


FIG. A