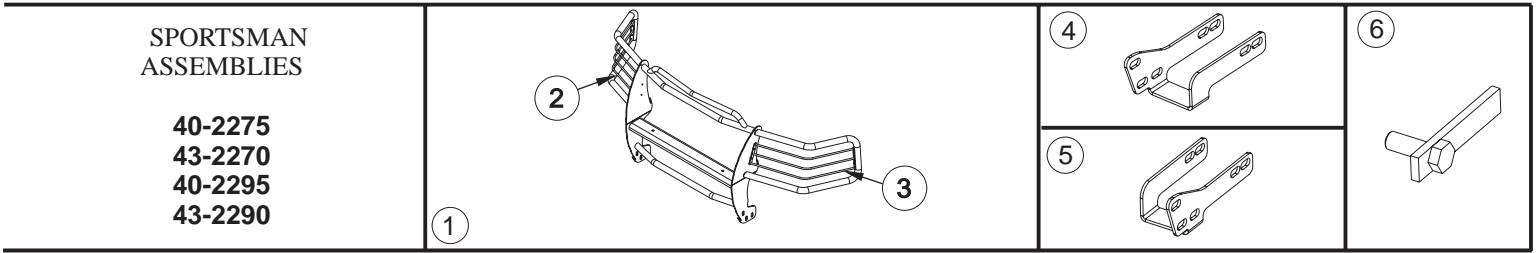




AUTOMOTIVE PRODUCTS, INC.

INSTALLATION INSTRUCTIONS

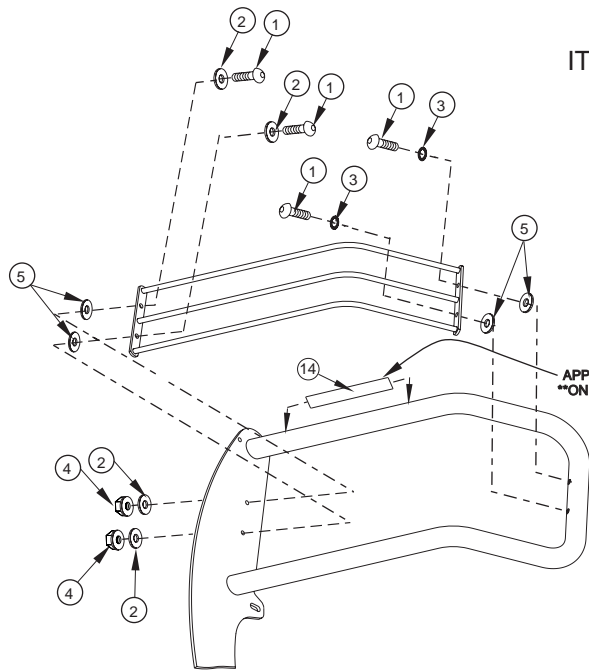
APPLICATION: 2007-08 CHEVY SILVERADO/ GMC SIERRA 1500 SERIES



PARTS KIT CONTENTS

ITEM	QTY	DESCRIPTION	TOOLS REQUIRED
1	1	SPORTSMAN ASSEMBLY	3/4" SOCKET
2,3	2	LIGHT GUARD ASSEMBLY, PASSENGER(2) AND DRIVER (3)	3/4" WRENCH
4,5	2	BOTTOM BRACKET, PASSENGER(4) AND DRIVER (5)	7/16" WRENCH
6	6	BOLT PLATE ASSEMBLY	18MM SOCKET
7	6	1/2-13 X 1.25" HEX HEAD BOLT, STAINLESS STEEL	18MM WRENCH
8	12	1/2" FLAT WASHER, STAINLESS STEEL	5/32" HEX WRENCH
9	6	1/2" LOCK WASHER, STAINLESS STEEL	FLAT TIP SCREWDRIVER
10	6	1/2-13 HEX NUT, STAINLESS STEEL	RATCHET
11	6	1/2" FLAT WASHER, YELLOW ZINC	SOCKET EXTENSION
12	6	1/2" LOCK WASHER, YELLOW ZINC	TORQUE WRENCH
13	6	1/2-13 HEX NUT, YELLOW ZINC	UTILITY KNIFE
14	2	15" ANTI-REFLECTIVE TAPE (CHROME ASSEMBLIES ONLY)	
NOTE: May not use all fasteners supplied in the bolt kit.			

- STEP 1. Remove the contents from box and check for damage. Verify all parts are present. Read instructions completely before beginning.
- STEP 2. Attach light guard assemblies as shown. **SEE FIGURE 1.**
- STEP 3. Remove tow hooks by removing the front bolt and rear bolt that thread into the side of the tow hooks. The tow hooks will not be reinstalled.
- STEP 4. Determine passenger and driver side brackets. Slide bracket in through the tow hook pocket. Align slots on bracket with holes on frame. Slide the three bolt plates inside the frame and out through aligned holes on both sides of the frame. Secure with 1/2" yellow zinc fasteners. Leave loose. It may be necessary to trim the fascia around the tow hook area in order to properly align the brackets. **SEE FIGURE 2.**
- STEP 5. Attach Sportsman to brackets using 1/2" fasteners. **SEE FIGURE 2.** Center and level Sportsman on vehicle and tighten all fasteners. Recommended torque values are 43 Ft.Lbs. for 1/2" stainless steel fasteners and 64 Ft.Lbs. for 1/2" yellow zinc fasteners.
- STEP 6. For chrome assemblies. If light glare is being experienced off the wings of the Sportsman, anti-reflective tape has been supplied to reduce glare. With headlights on, note where the reflection is concentrated on the wing. Clean the wing well with a non-abrasive cleaner (rubbing alcohol works the best.) Trim the anti-reflective tape to the

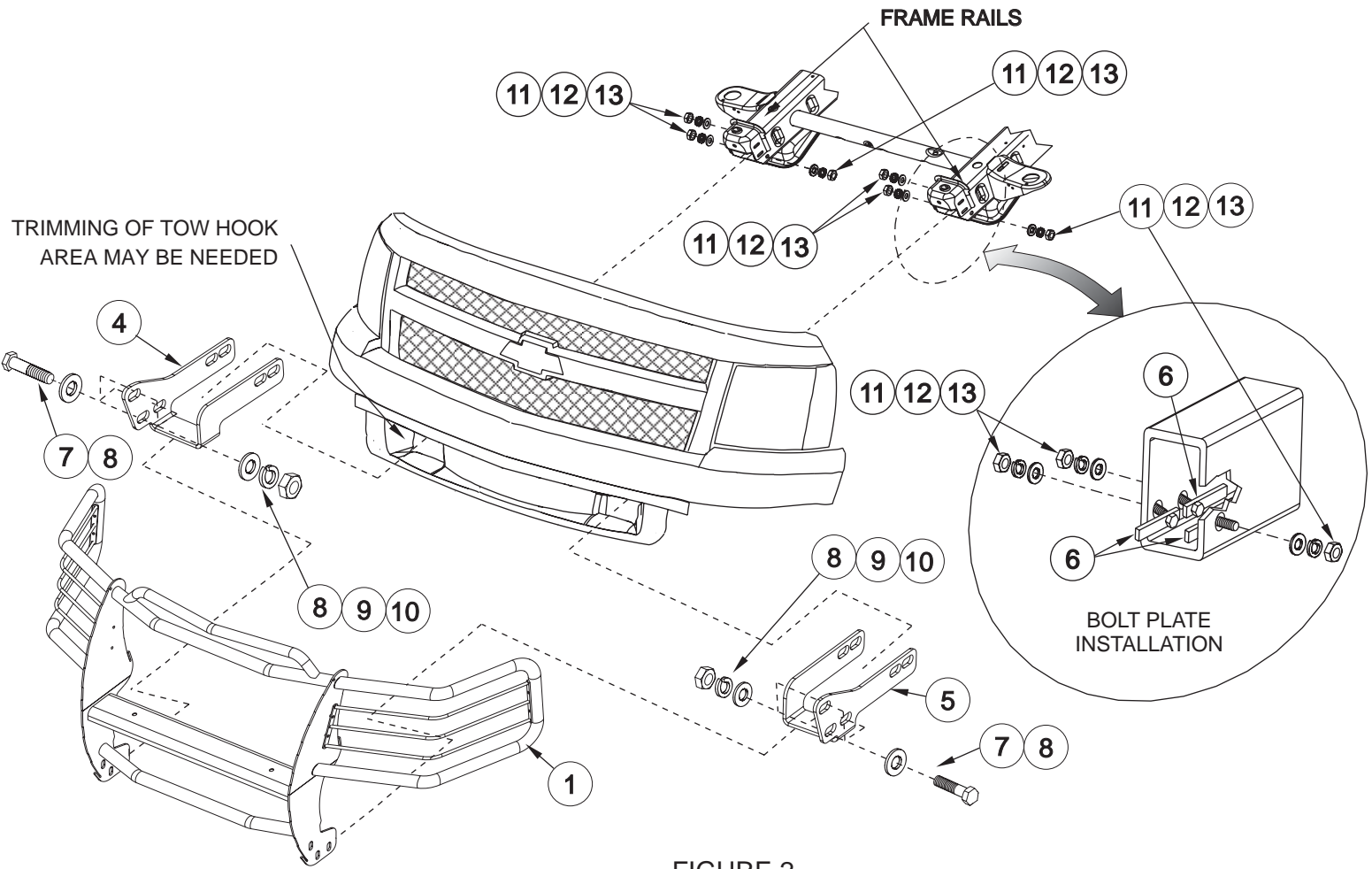


ITEM	QTY.	DESCRIPTION
1	8	1/4-20 X 1.00" BUTTON HEAD BOLT
2	8	1/4" FLAT WASHER
3	4	1/4" INTERNAL TOOTH LOCK WASHER
4	4	1/4-20 NYLON NUT
5	8	RUBBER WASHER

NOTE: ALL FASTENERS MAY NOT BE USED.

APPLY TAPE HERE
ON BOTH WINGS

FIGURE 1



TRIMMING OF TOW HOOK
AREA MAY BE NEEDED

FRAME RAILS

BOLT PLATE
INSTALLATION

FIGURE 2



Westin Automotive Products, Inc.
5200 N. Irwindale Ave. Suite 220
Irwindale, Ca. 91706

Thank You for choosing Westin products
For additional installation assistance please call
Customer service (800) 793-7846 or (507) 375-3559