



Installation Instructions

Part Number 33-2111

This filter fits: See current K&N catalog for correct listing

FREE K&N DECAL To register your warranty, please see us online at knfilters.com/register. FREE K&N DECAL

Congratulations, you have purchased the finest air filter that money can buy. With proper care, this filter will last 1 million miles or more. This filter is a direct replacement for the stock air filter, and no serious modifications will be required. However the following procedure **MUST** be followed to ensure a proper fit and seal of the K&N Filtercharger®.

NOTE:

Chevrolet Corvette - See instruction 1

Chevrolet and GMC Vans - See instruction 2

INSTALLATION INSTRUCTIONS: Section 1

- 1) Remove the airbox lid by releasing the two hold down straps, (see repair manual).
- 2) Remove the stock filter.
- 3) Wipe any dirt out of the lid and base. The airbox base must be clean and dry so that the gasket will stick to it.
- 4) Apply the supplied gasket to the sealing groove of the airbox base (see fig. 1 below).
- 5) The oiled K&N filter is now ready to be installed (see fig. 2 below).
- 6) Re-install the airbox lid and clamp down the holding straps.

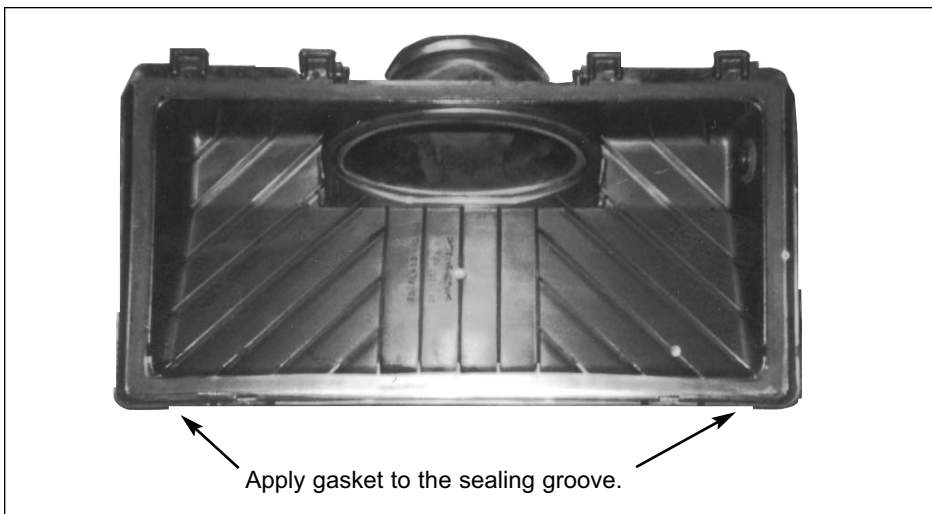


Fig. 1

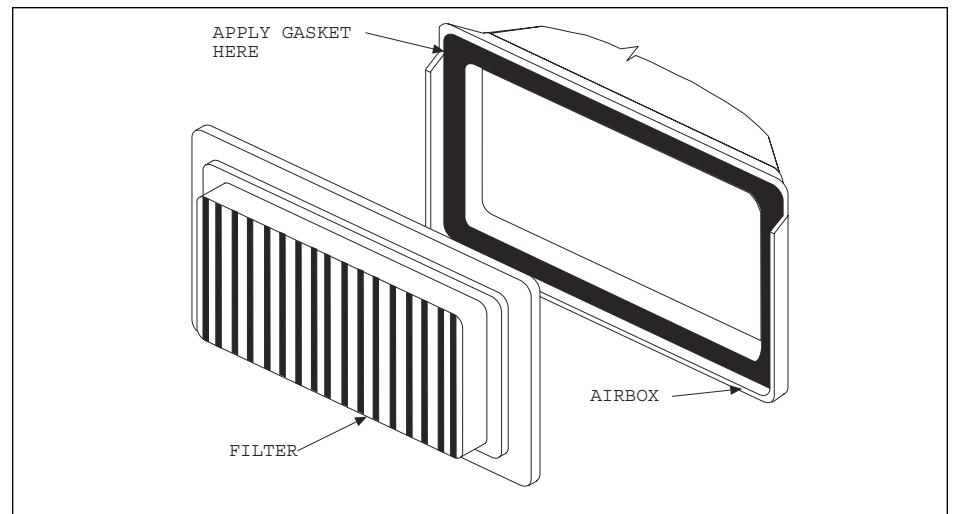


Fig. 2

INSTALLATION INSTRUCTIONS: Section 2

- 1) Loosen the hose clamp holding the air intake tube to the mass air sensor.
NOTE: the rubber boot needs to come out with the airbox or the rubber straps holding the boot to the airbox may break.
- 2) Loosen and remove the three bolts that hold the airbox to the core support, one bolt is located on the driver's side of the airbox and the other two are located on the passenger's side of the airbox.
- 3) For the 7.4 equipped vehicles, remove the breather hose from the top of the airbox. The airbox can now be removed from the vehicle.
- 4) Separate the top and bottom of the airbox by unclipping the three clips that hold the top and base together. Remove the stock air filter at this time.
- 5) Wipe any dirt out of the lid and base. The airbox base must be clean and dry so that the gasket will stick to it.
- 6) Apply the supplied gasket to the sealing groove of the airbox top (see fig. 1 above).
- 7) Install the oiled K&N filter into the lower half of airbox and slide the tabs on the upper half into the slots on the lower half and close both halves together. Fasten the three clips and reinstall in reverse order of removal.

THESE INSTRUCTIONS MUST BE FOLLOWED EVERY TIME THE FILTER IS SERVICED, OTHERWISE THE FILTER MAY NOT SEAL, AND DAMAGE TO THE ENGINE COULD RESULT.

