



**Before returning this product
to the store of purchase**

Contact Dee Zee if you experience the following problems:

- Missing Parts
- Installation Problems/Questions
- Warranty Questions

1.800.779.2102

Hours of operation: 8am - 5pm CST, Mon-Friday

Review complete warranty policy and register your product at:

www.deezee.com



Dee Zee Running Board Installation Instructions

Congratulations on your purchase of a quality Dee Zee product. Dee Zee is recognized as having the highest quality running boards and accessories on the market today. We have earned this reputation by offering our customers a product they can be proud to place on their vehicles. Dee Zee meets all the criteria of manufacturing a custom-fit product which guarantees it to be the easiest product to install.

Note: Please take time to read all of the instructions before beginning this installation.

Warning! Please check for wiring or other obstructions before drilling any holes into the vehicle. If it is necessary to drill any holes into the vehicle, Dee Zee recommends putting a sealant or rust inhibitor around all holes drilled into the body of the vehicle.

Warning! It is the sole responsibility of the vehicle owner to check for tire clearance.

Warning! It is unlawful and dangerous to ride on running boards or side box boards while the vehicle is in motion.

Cleaning Instructions: To maintain the bright finish of your Dee Zee running boards, clean with a mild detergent. For our stainless steel products and accessories, the application of a high grade automotive type wax is recommended.

If you should happen to have any questions with this product or you have an installation question, please feel free to call us at:

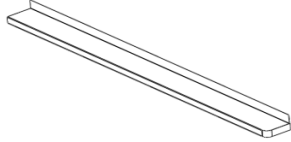
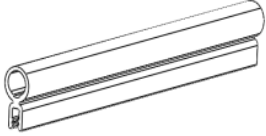
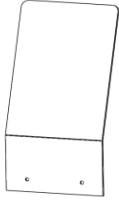
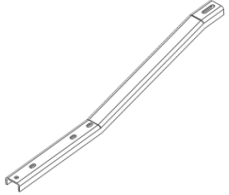
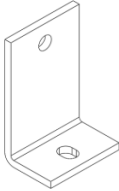
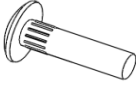
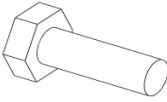

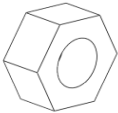
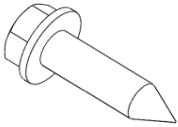
1-800-779-8222

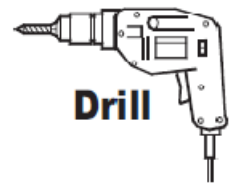
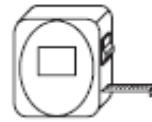
If you would like to find out more information on Dee Zee's products please feel free to visit our website at:

WWW.DEEZEE.COM

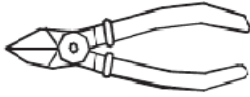
Dee Zee Brite Tread Board Installation Instruction

DZ 2045 Ford Van Front Doors Only

<p>A</p> <p style="text-align: center;">BT BOARD</p>  <p>BD 2045LP/RP 1 LH / 1 RH</p>	<p>B</p> <p style="text-align: center;">RUBBER TRIM</p>  <p>GSK-41 6.25 FT.</p>	<p>C</p> <p style="text-align: center;">MUD FLAP</p>  <p>FP0300 X2</p>	<p>D</p> <p style="text-align: center;">CHANNEL BRACE</p>  <p>B 1988 X4</p>
<p>E</p> <p style="text-align: center;">ROCKER PANEL BRACKET</p>  <p>B 81FX X4</p>	<p>F</p> <p style="text-align: center;">1/4 X 1" RIBNECK CARRIAGE BOLT</p>  <p>PN 87 X12</p>	<p>G</p> <p style="text-align: center;">1/4 X 3/4" HEX HEAD BOLT</p>  <p>PN 70 X8</p>	<p>H</p> <p style="text-align: center;">1/4" FLAT WASHER</p>  <p>PN 72 X 28</p>
<p>I</p> <p style="text-align: center;">1/4" HEX NUT</p>  <p>PN 71 X20</p>	<p>J</p> <p style="text-align: center;">SHEET METAL SCREW</p>  <p>PN 97 X8</p>		

TOOLS REQUIREDWRENCH/RATCHET
3/8", 7/16"TAPE
MEASURE

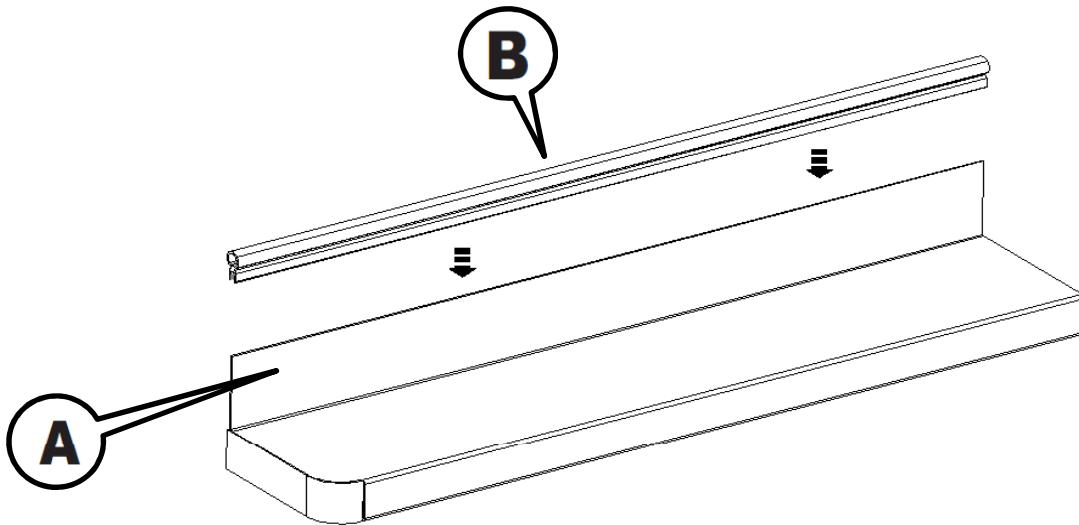
TIN SNIPS

**Drill**

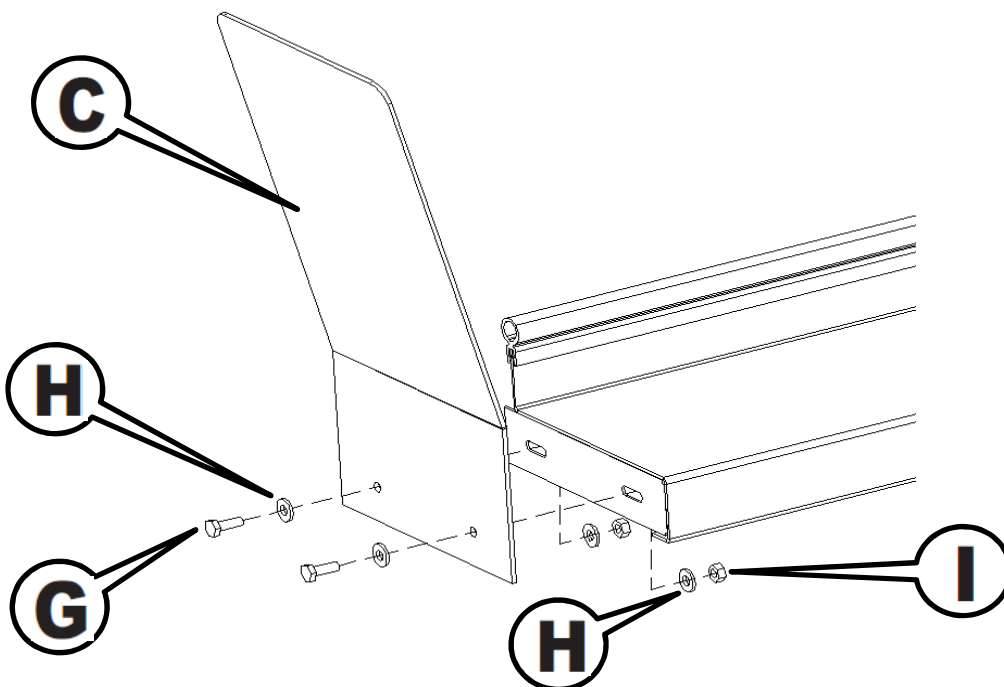
3/16" DRILL BIT

1/4" DRILL BIT

- 1** Place the rubber trim onto the back lip of the running board. Cut the trim to length using tin snips.

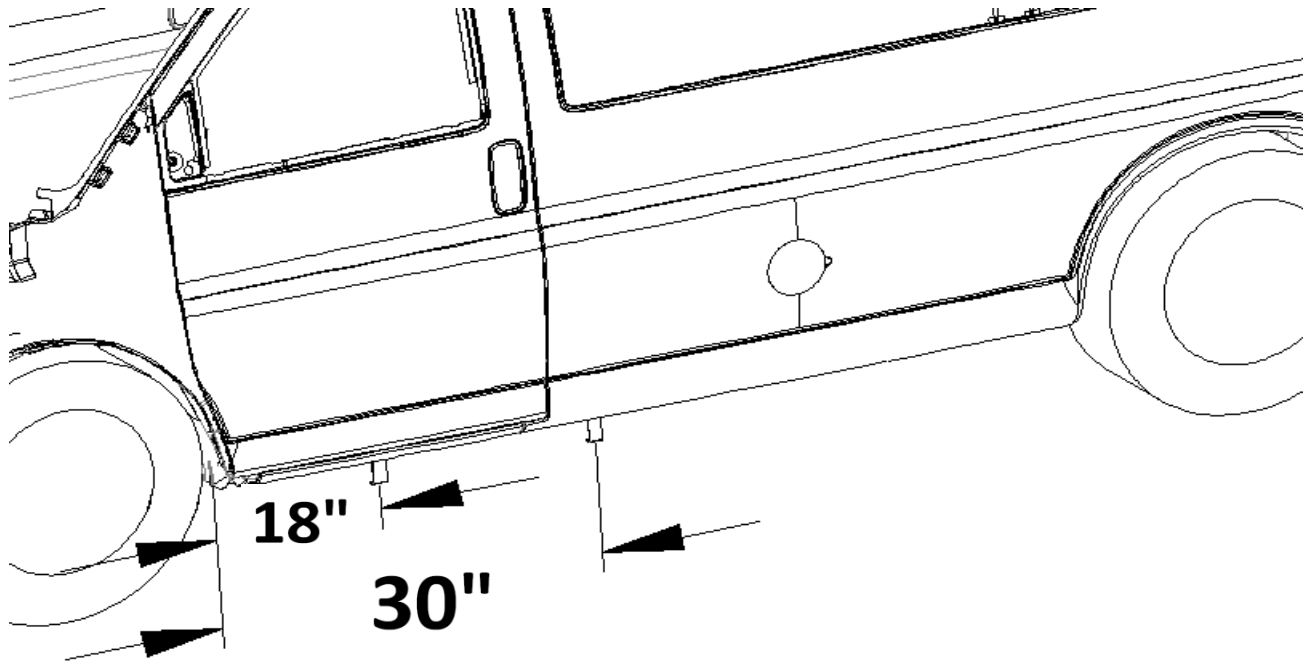


- 2** Attach the mud flap [C] to the end of the running board using the 1/4" x 3/4" hex head bolt [G], the 1/4" flat washer [H], and the 1/4" hex nut [I].



3

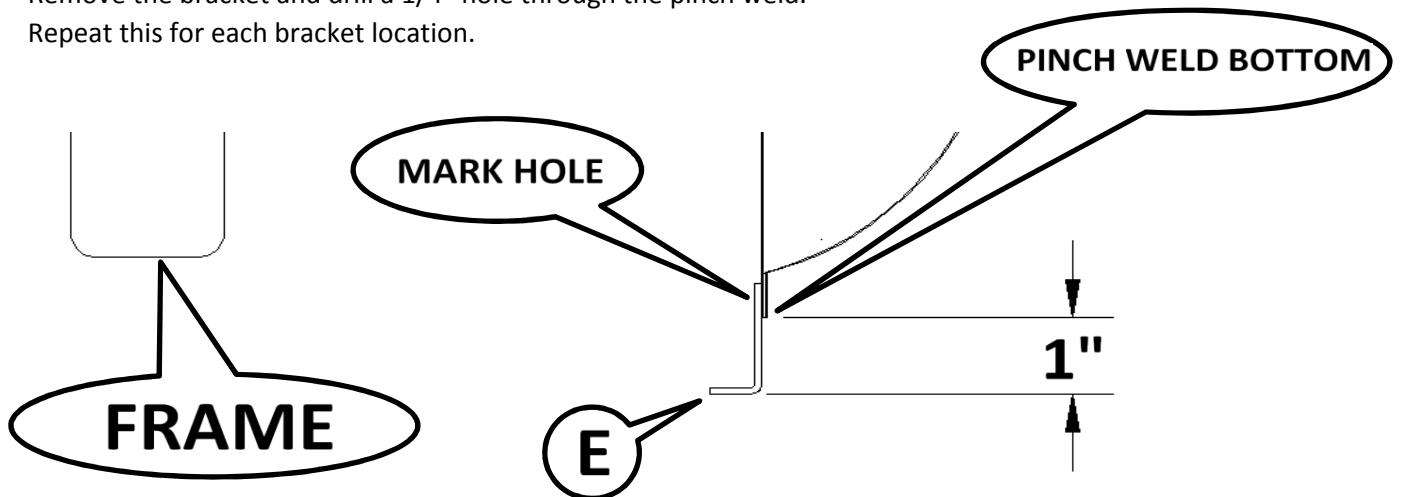
Measure back from the front wheel well and mark the lower rocker panel at 18" and 30". This will be the approximate location for the rocker panel bracket [E].



4

Make sure there is nothing on the bottom of the frame at these location that would obstruct the channel brace from being installed in the later steps. If there is an obstruction, move the rocker panel bracket to the front/rear as needed.

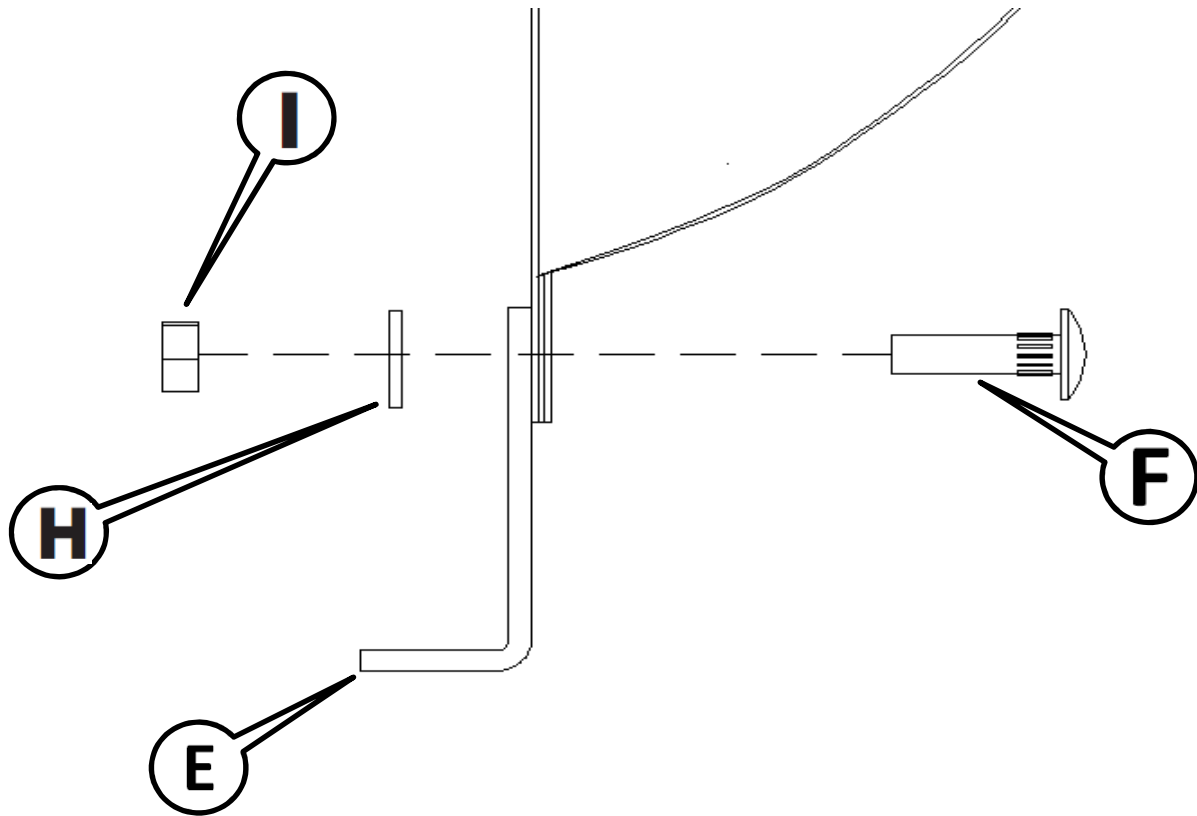
The top of the small leg on the mounting bracket should be 1" below the bottom of the pinch weld. Mark the hole location in the vertical long leg of the mounting bracket. Remove the bracket and drill a 1/4" hole through the pinch weld. Repeat this for each bracket location.



5

Attach the rocker brackets [E] to the rocker panel with a ribneck carriage bolt [F], washer [H], and nut [I].

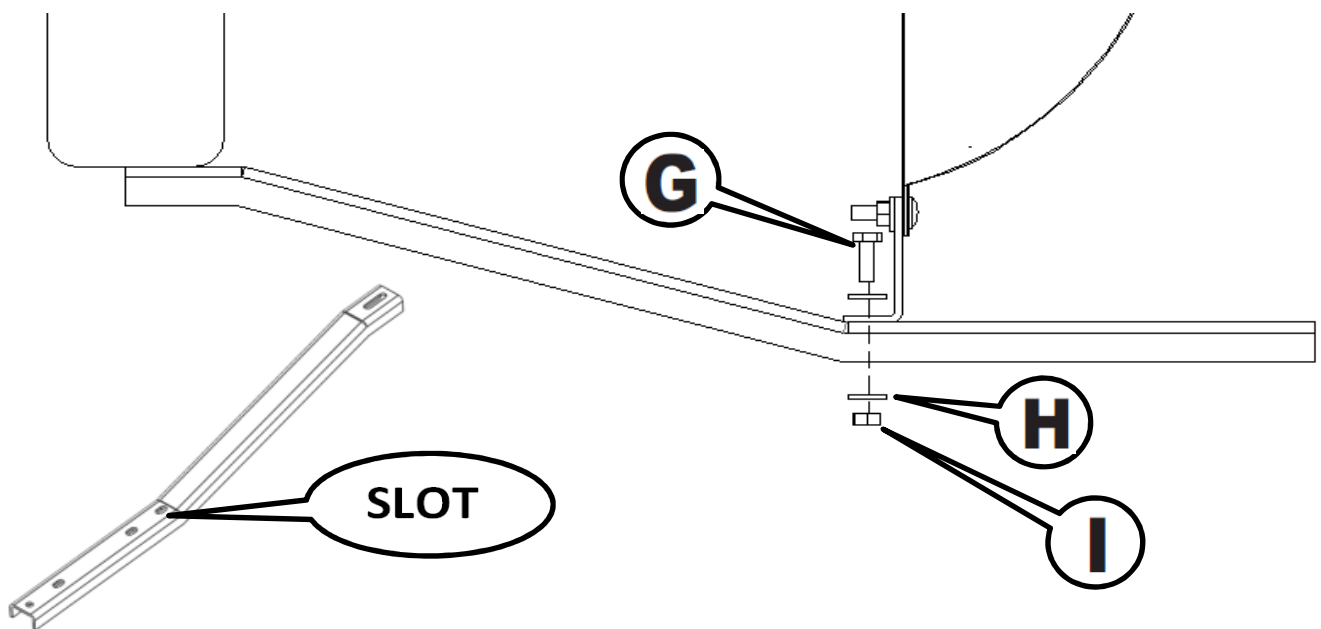
Repeat this for each bracket location.



6

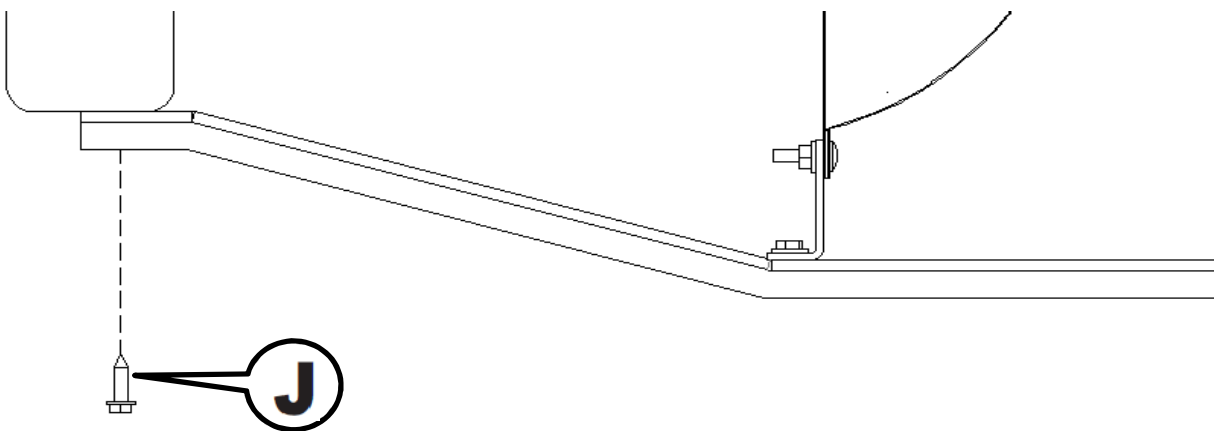
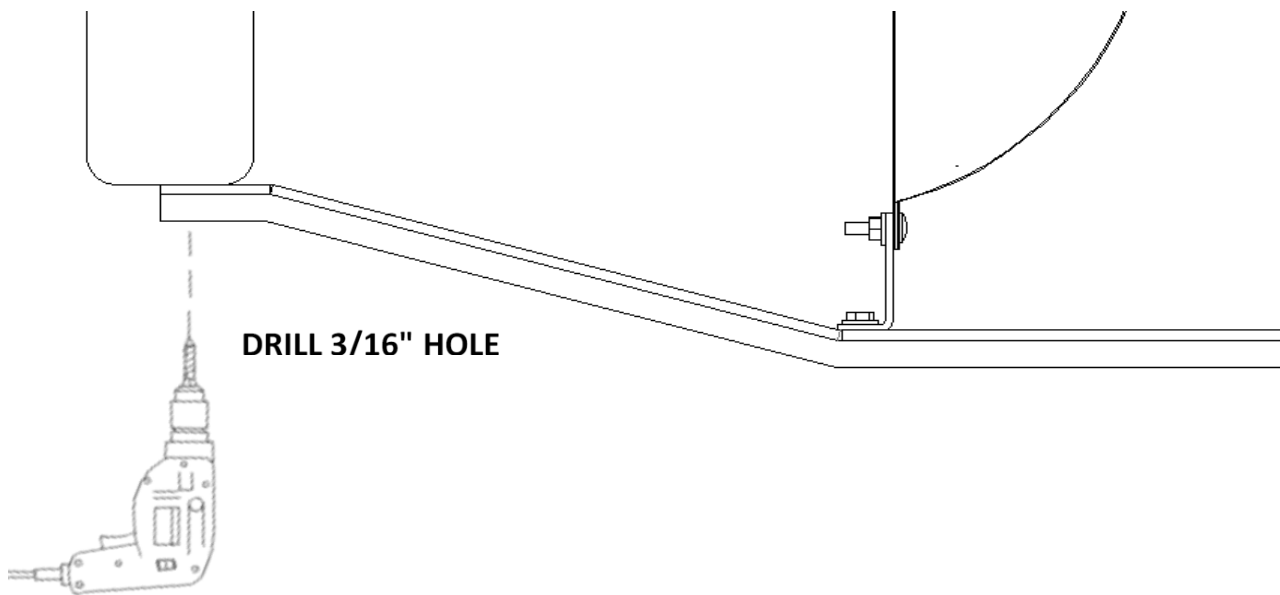
Once the rocker panel brackets are installed, attach the channel braces to the bottom of the brackets through the slot shown in the channel brace using a hex head bolt [G], washer [H], and a nut [I].

Tighten with a 7/16" socket/wrench.



7

Drill a 3/16" hole through the slot in the back of brace into the bottom of the frame.
Attach the channel brace to the frame using a sheet metal screw [J] with a 3/8" socket.



Repeat this step for each bracket location.

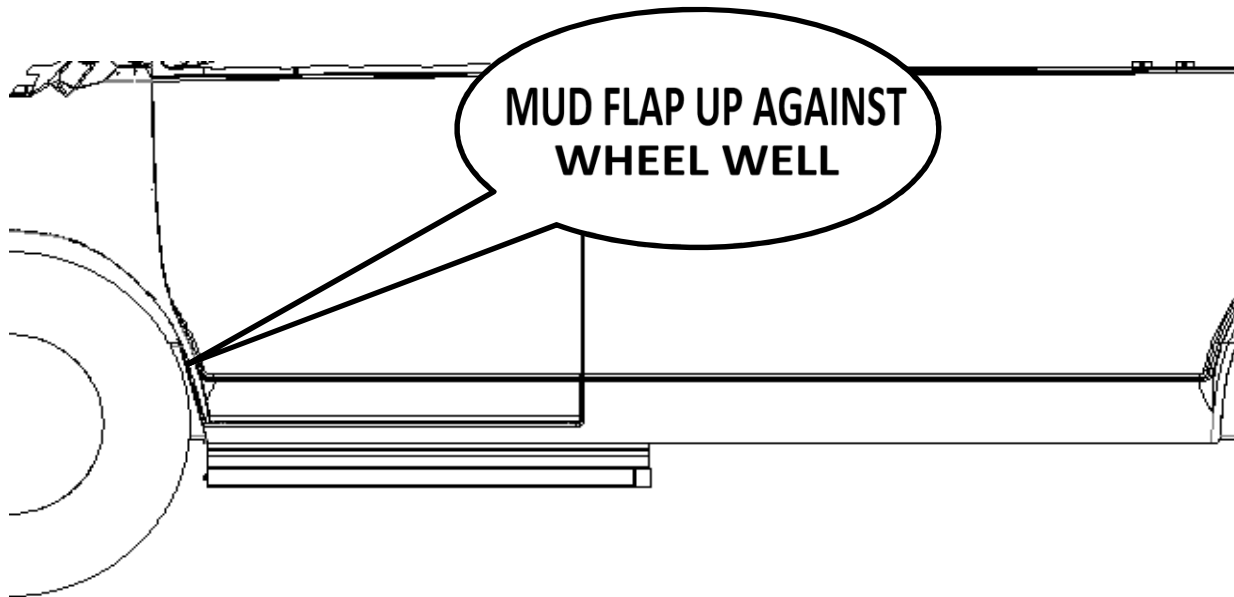
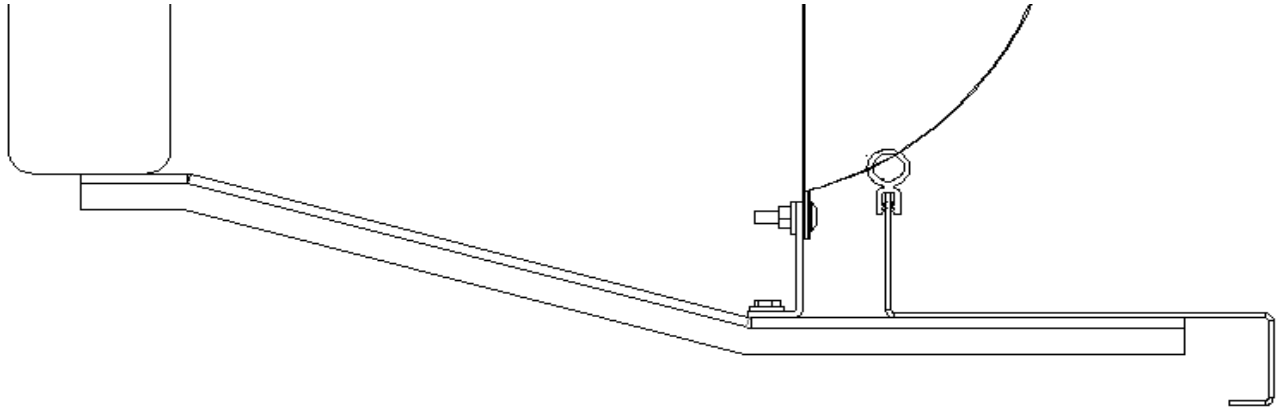
8

Place the running board on the angle braces.

Adjust the board to make sure the flap is up against the inner portion of the wheel well.

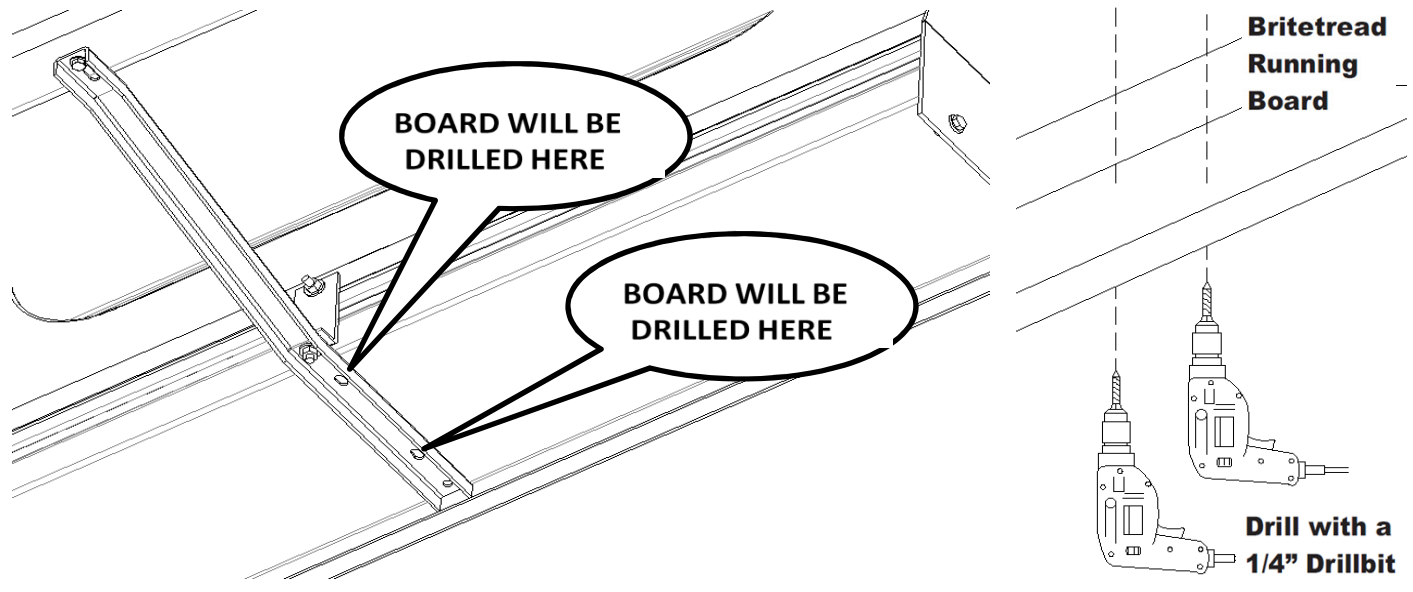
Then adjust the board in/out to make sure it is straight with the vehicle and that the gasket on the backlip is in contact with the rocker panel.

Once the board location is set, clamp the running board to the angle braces.

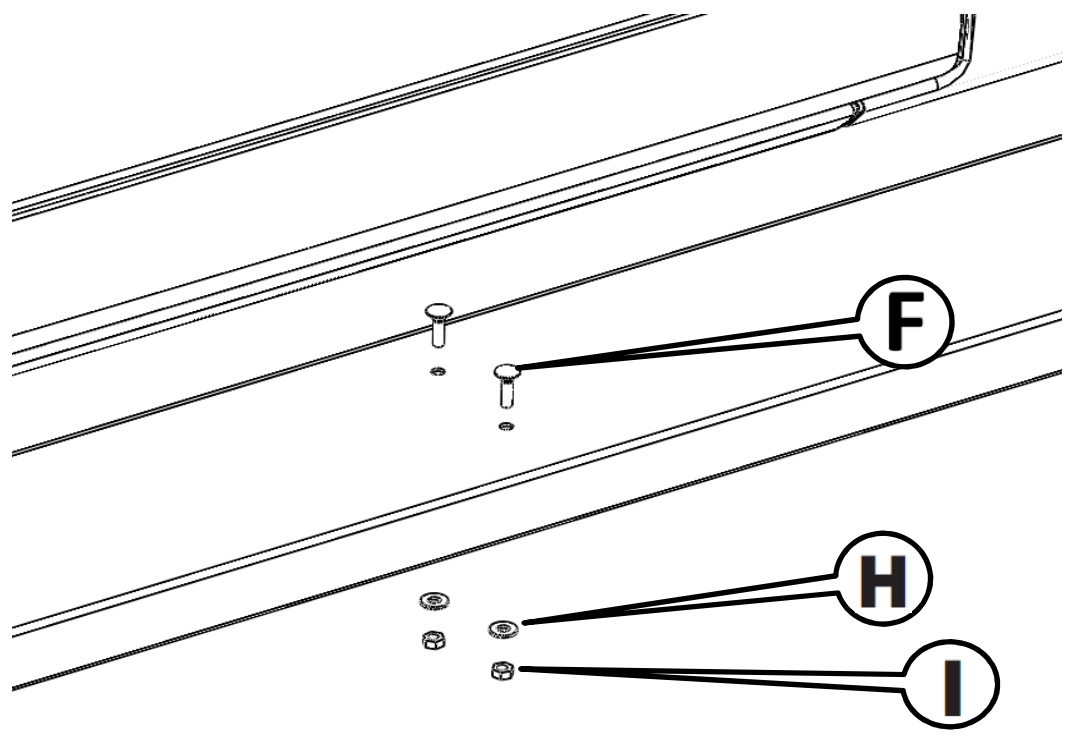


9 Drill 1/4" holes up through the board using the holes shown below.

Repeat this step for each bracket location.

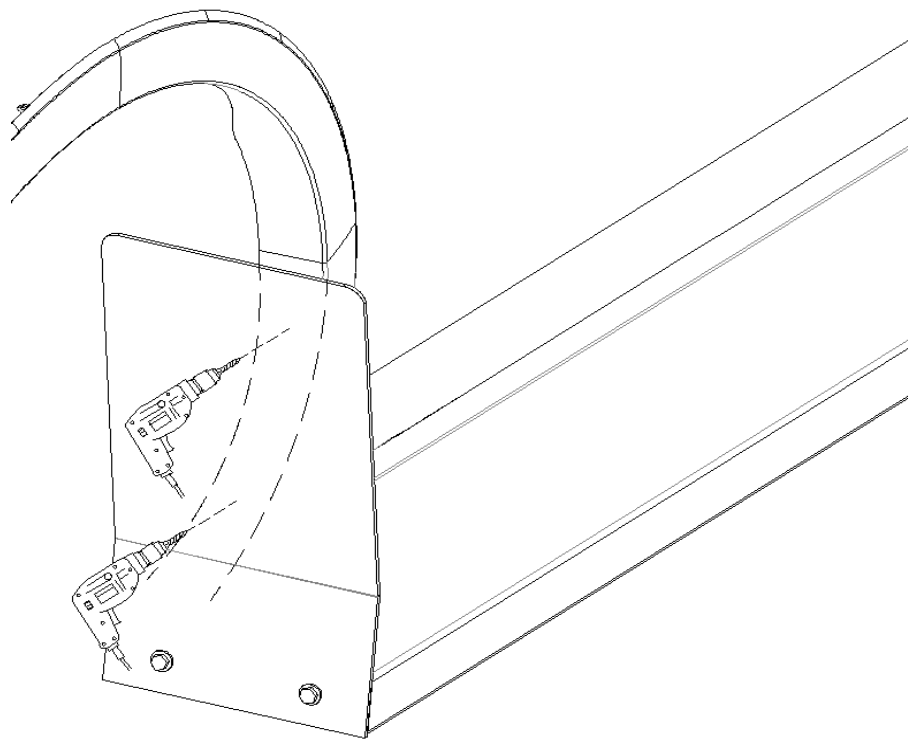


10 Attach the running board to the angle brace using the 1/4" x 1" ribneck carriage bolt [F], 1/4" flat washer [H], and 1/4" hex nut [I]. Tighten using a 7/16" wrench or deep well socket.



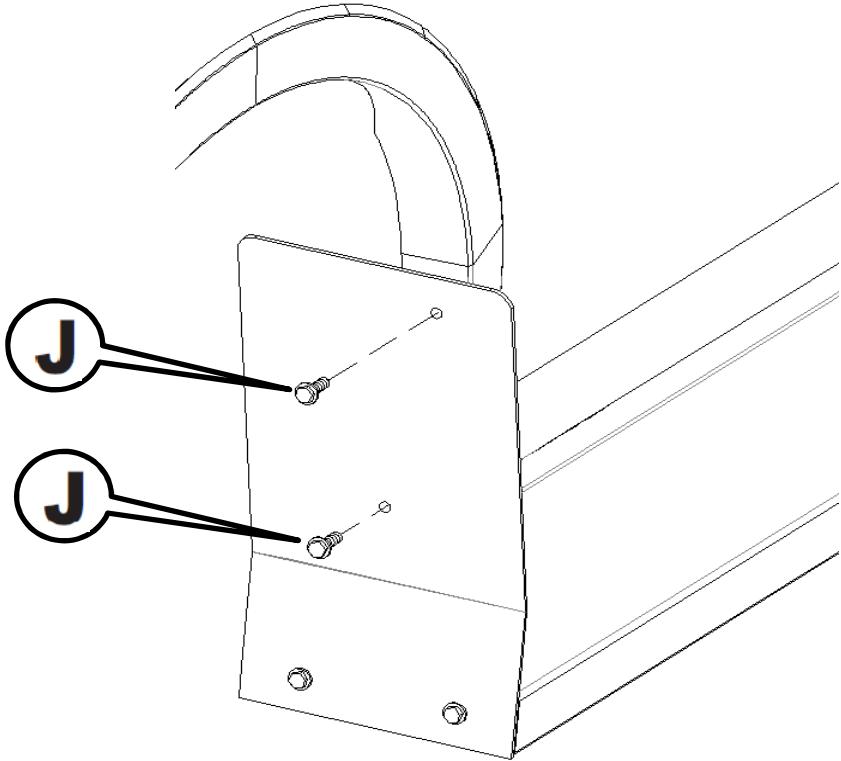
11

Pressing the flap up against the wheel well, drill two 3/16" holes through the hole in the mud flap into the sheet metal of the wheel well. The front tire may need to be turned to allow room to drill.



12

Attach the mud flap to the wheel well using two sheet metal screws [K] with a 3/8" socket.



Check all hardware to make sure it has been tightened.
Repeat the assembly steps for the other side of the vehicle.