



MODEL SPECIFIC GUIDE

D-Ring Hinge Version

**Model 4030 Toyota Tacoma Double Cab
5' Short Bed 2001-2004**



Form # AS4030II
Created March 2012

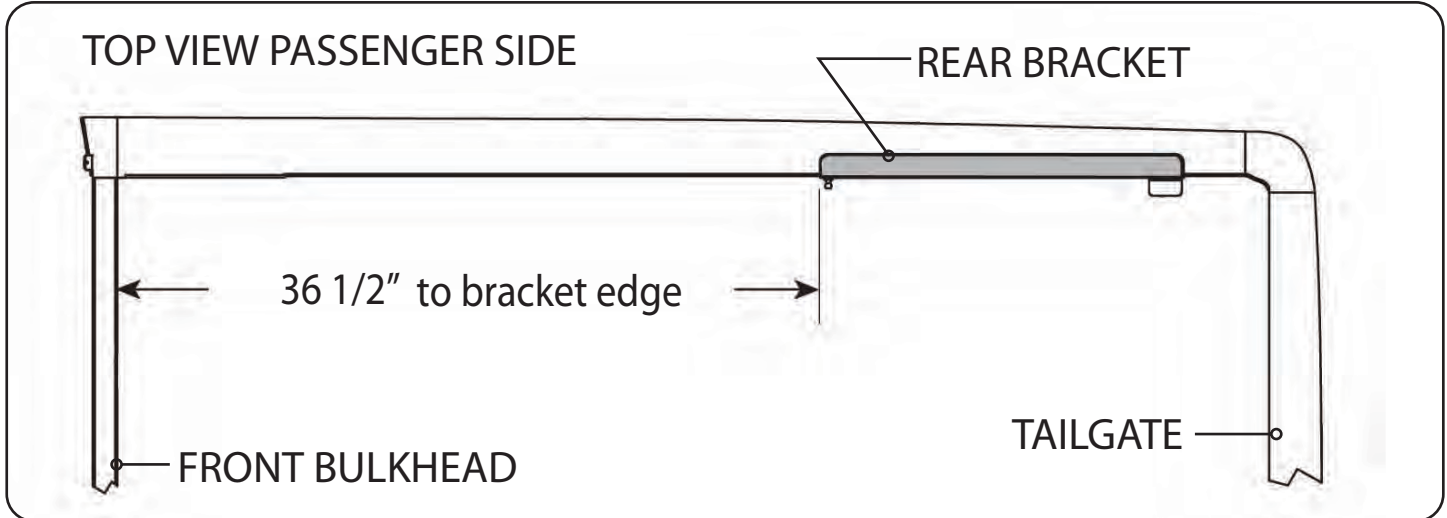
For Warranty Issues, Contact UnderCover Directly
(866) 900-8800 www.undercoverinfo.com



MODEL SPECIFIC GUIDE D-Ring Hinge Version Model 4030 Toyota Tacoma 5' Short Bed 2001-2004

RE: Step 2 on the Quick Start Guide

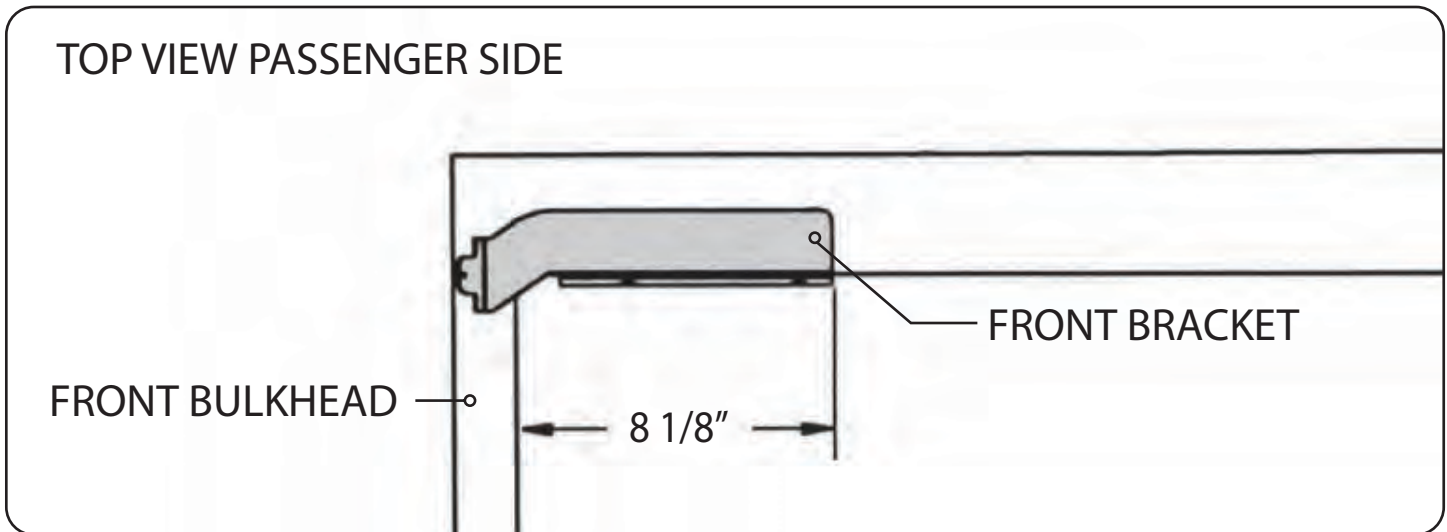
Measurement for the rear mounting bracket is 36 1/2" from the back side of the bulkhead to the front edge of the bracket.



RE: Step 3 on the Quick Start Guide

Measurement for the front mounting bracket is 8 1/8" from the back side of the front bulkhead to the back of the front bracket.

The fit of the cover to the truck bed is determined by the front mounting brackets. This measurement is a good starting point. Unfortunately not all truck beds are assembled 100% square, so some adjustments may be necessary after the cover is set on the truck.



UnderCover, Inc.
P.O. Box 620
Rogersville, MO 65742
(417) 753-8000
(866) 900-8800

www.undercoverinfo.com
sales@undercoverinfo.com

© 2010 UnderCover, Inc.
All rights reserved.