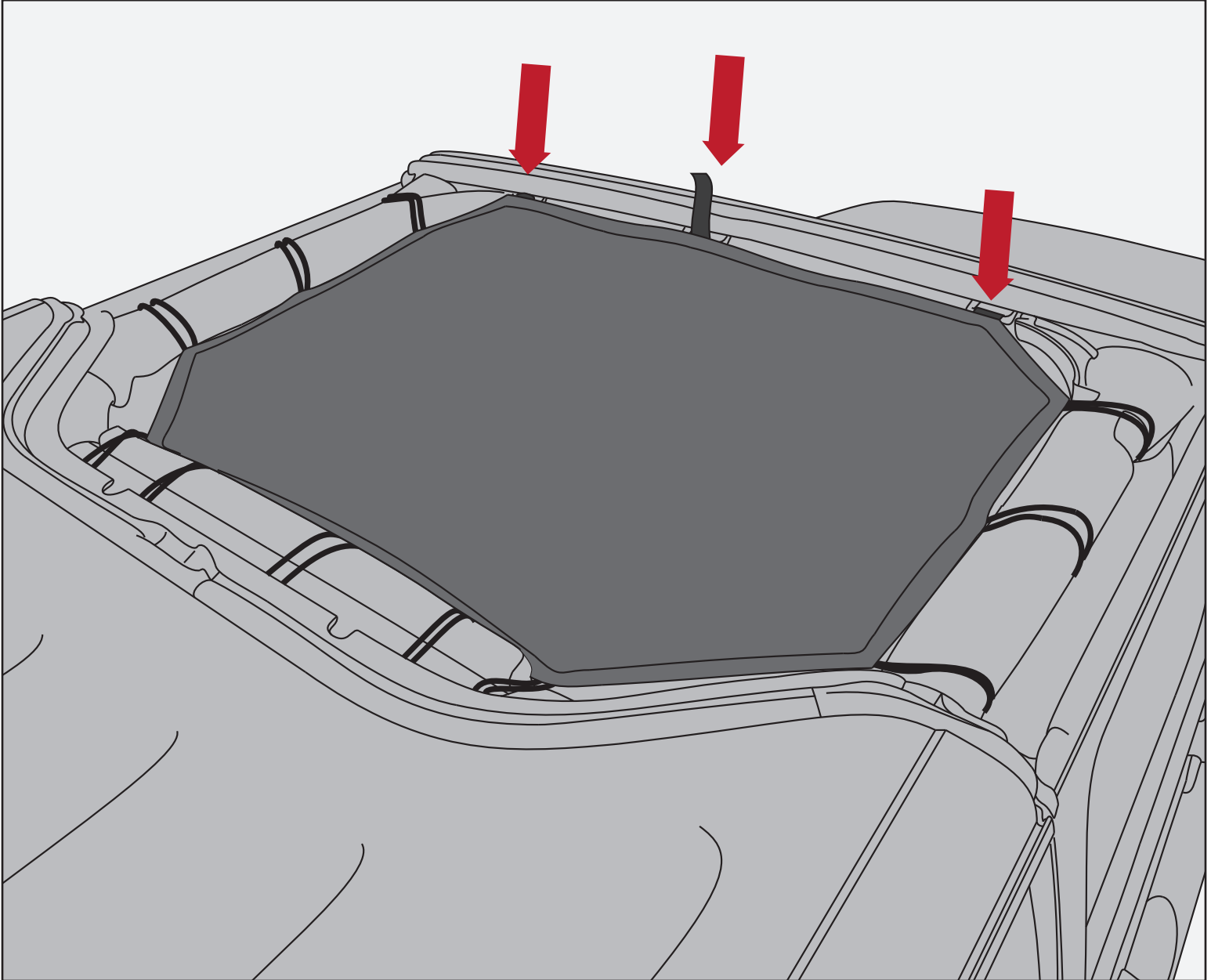


Total Eclipse Shade, JK



Installation Instructions:

1. Secure Total Eclipse Shade using toggles and bungees around side sport bars and sound bar.
2. Loop (3) hook and loop straps around footman loops at top of windshield.
3. Adjust bungee position as necessary to center Total Eclipse Shade.

OMIX-ADA® TECHNICAL SUPPORT

PHONE: M-F 8am - 5pm EST 1-800-449-6649 | EMAIL: techsupport@omix-ada.com

FOR WARRANTY INFORMATION VISIT: www.Omix-Ada.com