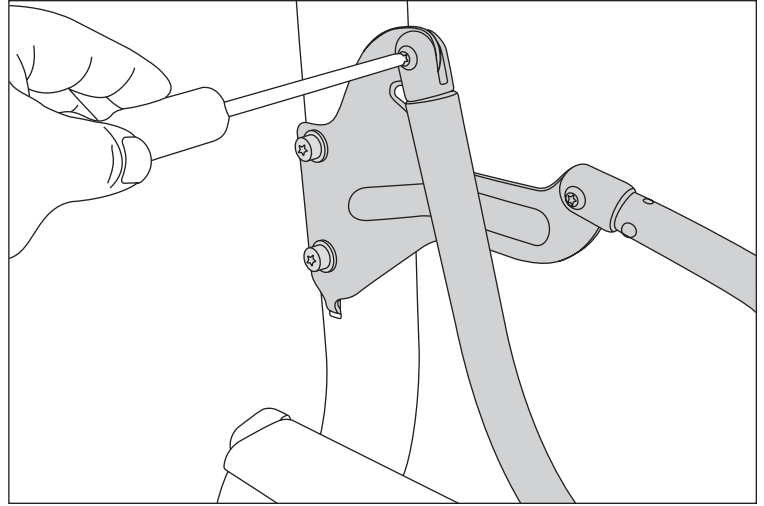


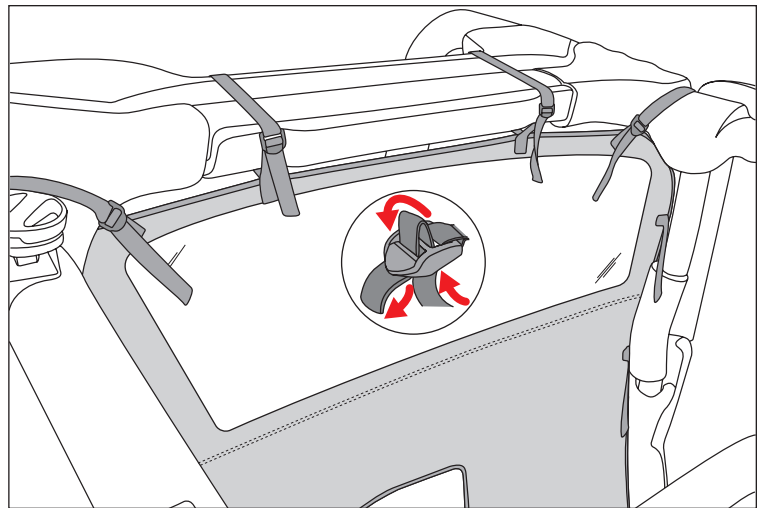
Windbreaker, JK 2-Door

1. **SOFT TOP VEHICLE:** Refer to owner's manual for instructions on lowering factory top. Once open, unscrew shoulder bolts fastening top to sport bar and remove soft top.

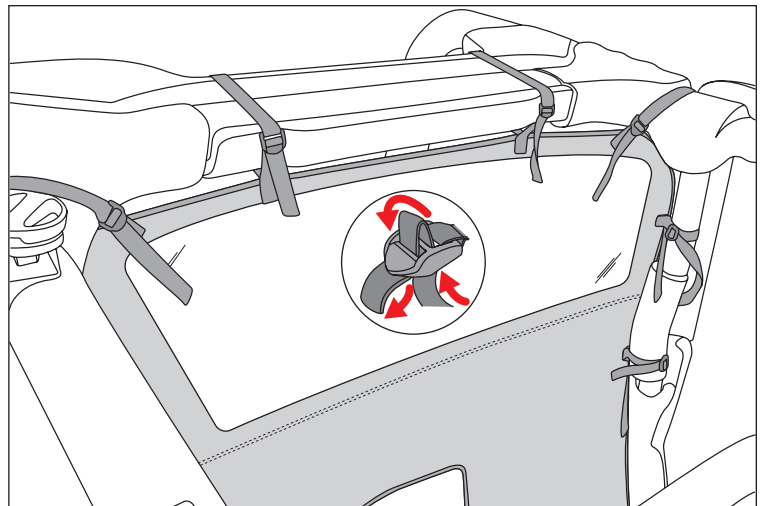
HARD TOP VEHICLE: Refer to owner's manual for instruction on removing factory hard top.



2. Orient windbreaker with window on top and vinyl side facing rear of vehicle. Start with top straps and thread end of each strap around sport bar and through each buckle as shown. Loosely tighten each strap to hold windbreaker in place.



3. Thread side straps loosely around side sport bars as shown.





OMIX-ADA, Inc.

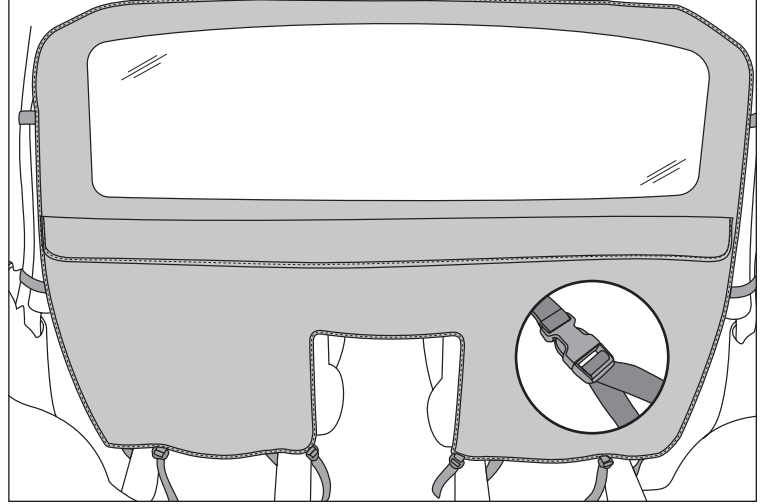
460 HORIZON DR. SUITE 400 | SUWANEE, GA 30024 | PHONE: 770-614-6101 | FAX: 770-614-6069 | info@omix-ada.com

Windbreaker, JK 2-Door

4. Secure windbreaker to seat brackets. Pull down gently on the fabric and thread straps through back of seat brackets. Buckle straps and tighten all straps.

NOTICE

If installing with optional tonneau cover proceed to Step 5. Otherwise, installation is complete



5. Zip windbreaker to tonneau cover using zipper under flap of windbreaker.

