

Rugged Ridge Dash Multi Mount System with Charger, TJ 1997-2006

FCC Part 18 Compliance Statement for Wireless Charger.

This equipment has been tested and found to comply with the limits for a WPC device, pursuant to Part 18 of the FCC Rules. These limits are designed to provide reasonable protection against harmful interference in a residential installation.

This equipment generates uses and can radiate radio frequency energy and, if not installed and used in accordance with the instructions, may cause harmful interference to radio communications. However, there is no guarantee that interference will not occur in a particular installation. If this equipment does cause harmful interference to radio or television reception, which can be determined by turning the equipment off and on, the user is encouraged to try to correct the interference by one or more of the following measures:

- 1-Increase the separation between the equipment and the receiver.
- 2-Reorient or relocate the receiving antenna.
- 3-Connect the equipment into an outlet on a circuit different from that to which the receiver is connected.
- 4-Consult the dealer or an experienced radio/TV technician for help.

Information to the user:

1. Do not disassemble or throw into fire or water, to avoid damage.
2. Do not use wireless charger in severely hot, humid or corrosive environments, to avoid circuit damage and occurs leakage phenomenon.
3. Do not place too close with magnetic stripe or chip card (ID card, credit cards, etc.) to avoid magnetic failure.
4. Please keep the distance of at least 30cm between implantable medical devices (pacemakers, implantable cochlear, etc.) and the wireless charger, to avoid potential interference with the medical device.
5. Take care of children, to ensure that they won't play the wireless charger as a toy.
6. Some phone case may affect the charging performance. Ensure there is no any metal object between your phone cases or try to take it off before charging.
7. Device should not be installed near maritime safety communications equipment or other critical navigation or communication equipment.

Specification:

Input : DC 5V-2A, DC9V-1.67A
 Output : 10W Max
 Frequency range: 0.15 MHz - 30MHz
 Color : Black



Components

1. Mult-Mount Tray.....	1
2. Wireless Charging Phone Mount	1
3. USB Charging Cord	1
4. Dual USB Charging Port	1
5. Self-tapping screws.....	3

OMIX-ADA® TECHNICAL SUPPORT

PHONE: M-F 8am - 5pm EST 1-800-449-6649

FOR WARRANTY OR TECH CONCERNS EMAIL: webmaster@omixsupport.com

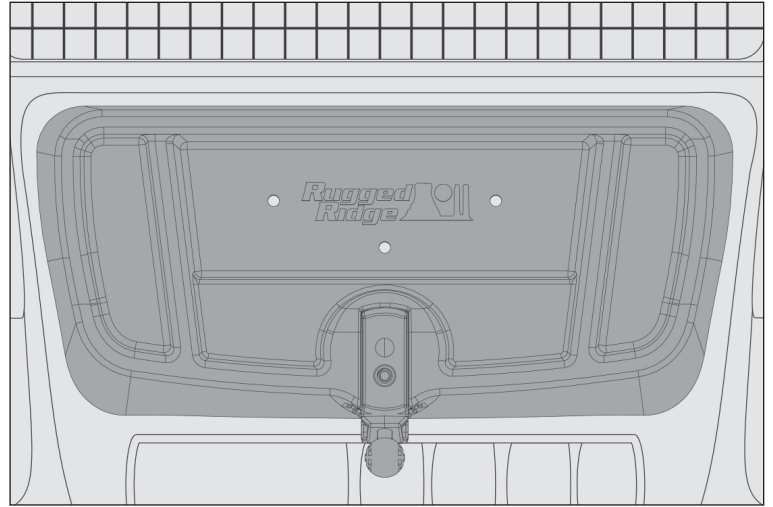
ATTN: STATE OF CALIFORNIA CONSUMERS

 **WARNING:** Cancer and Reproductive Harm - www.P65Warnings.ca.gov.

Rugged Ridge Dash Multi Mount System with Charger, TJ 1997-2006

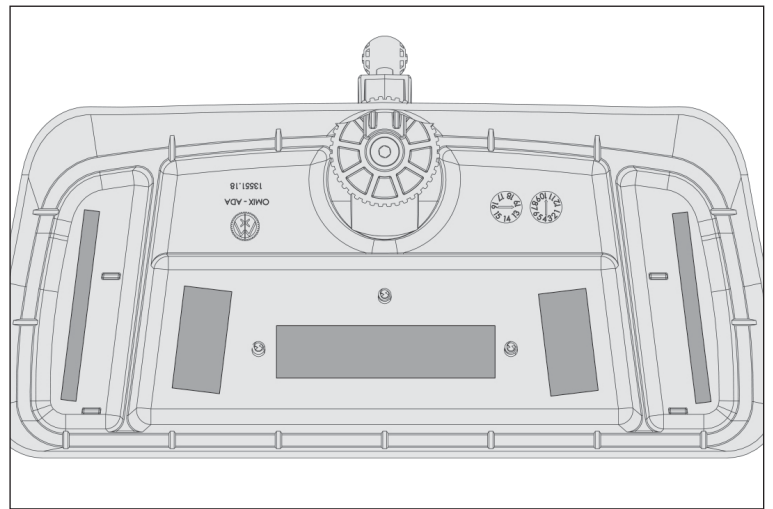
Step 1

Remove all items and clean vehicle dash recess.
Test fit Multi-Mount Tray in dash recess.
Multi-Mount Tray will sit at rear-most wall of dash recess.



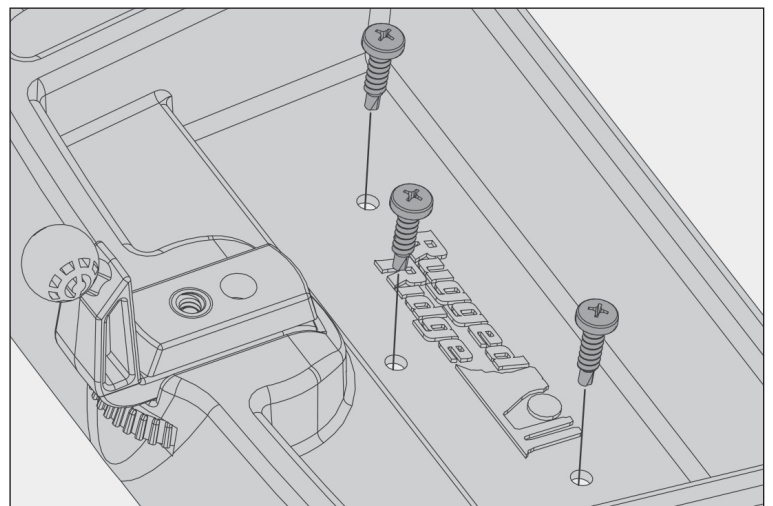
Step 2

Remove backing of adhesive tape and place
Multi-Mount tray into dash recess.



Step 3

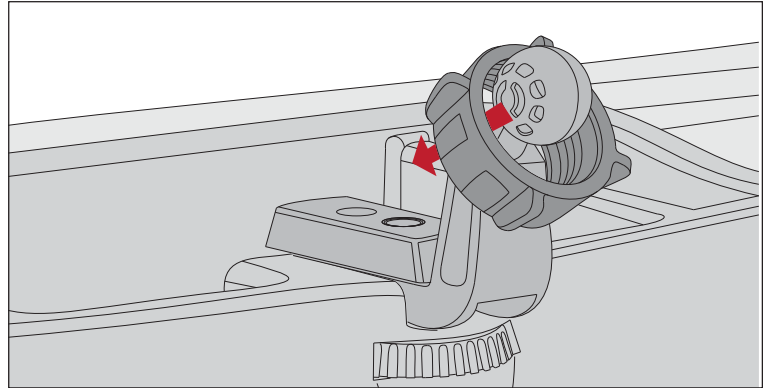
Install three Self-Tapping Screws through
Multi-Mount Tray into dash recess in vehicle,
beginning with front-most Self-Tapping Screw.



Rugged Ridge Dash Multi Mount System with Charger, TJ 1997-2006

Step 4

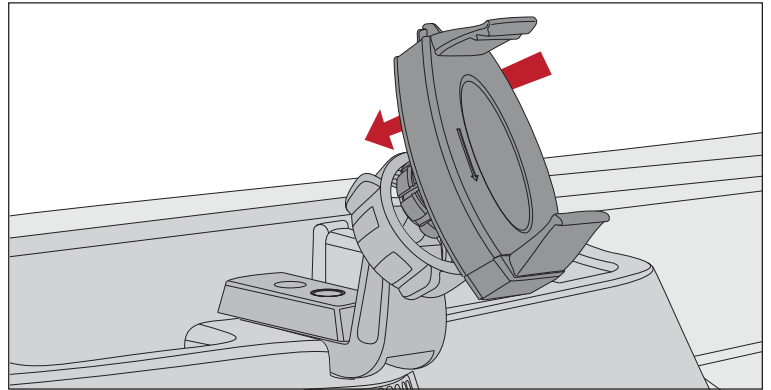
Place outer ring over end of ball mount.



Step 5

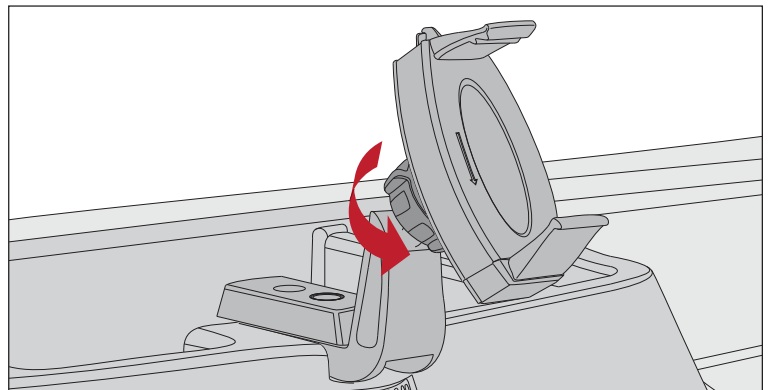
Press phone mount into ball mount.

Note: Image shown here is the non-charging base, the charging base mounts in the same manner.



Step 6

Pull outer ring over phone mount adapter and thread tightly to secure.



Step 7

Route power cord from charging base to a USB power port. If you choose to use the powered dual USB port provided then install in a pre-cut switch pod or cut a provision to install. When wiring power to the USB port make sure to include in-line fuse.

