

# Phone Mount with Wireless Charging for Dash Multi-Mount System

1. Place Outer Ring over end of Ball Mount.

**NOTE:** Product in image may differ from purchased product.

**Requirements:**

- \* USB 3.0 plug
- \* 12v of power
- \* Constant power (not pulsating power)

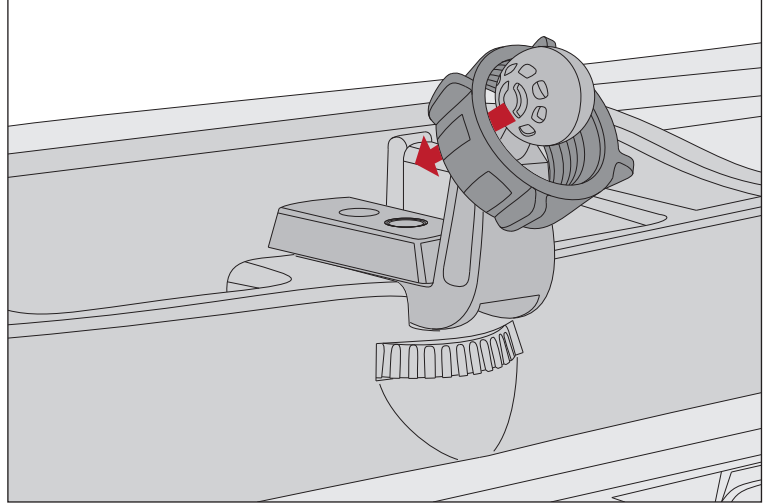
**Vehicle Specifics:**

**JL/JLU/JT**

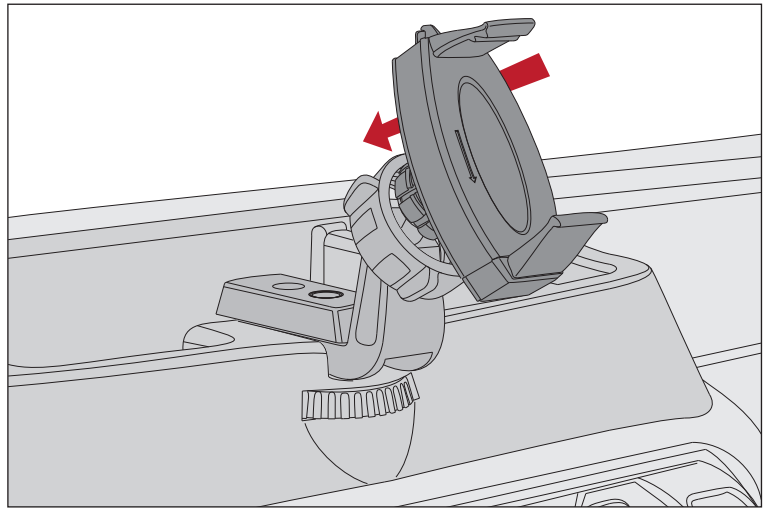
- \* 18+ Models have a USB 2.0 in the center console
- \* If equipped with the "Media Center" on the dash (in front of the shifter), this IS a USB 3.0 plug.

**JK/JKU**

- \* 2007-2011 Models do not have any USB ports from the factory.
- \* 2012-2018 Models have a USB 2.0 port in the center console.



2. Press Phone Mount adapter piece into Ball Mount.



3. Pull Outer Ring over Phone Mount adapter and twist to secure.

