

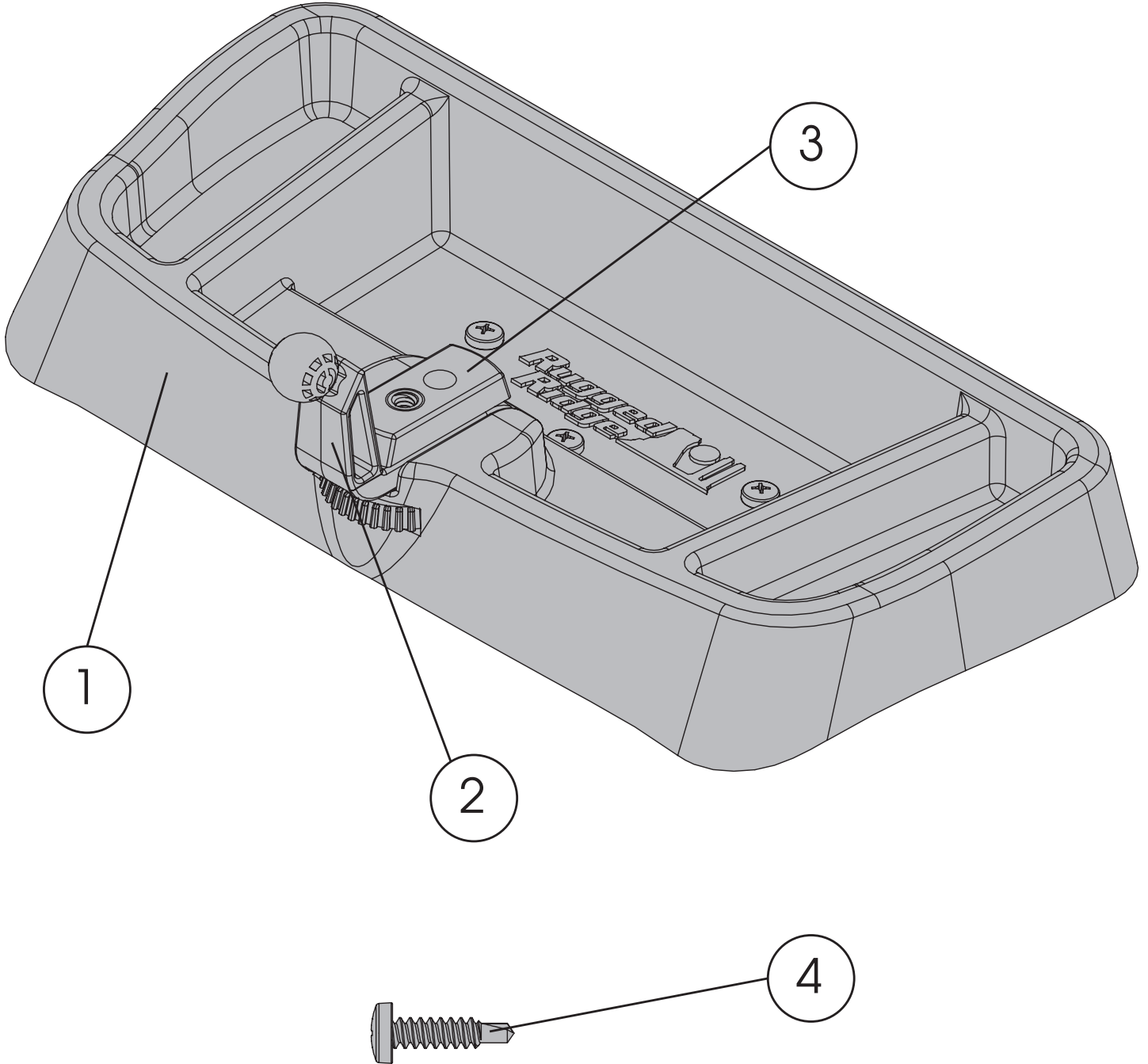


OMIX-ADA, Inc.

Part 13551.19

460 HORIZON DR. SUITE 400 | SUWANEE, GA 30024 | PHONE: 770-614-6101 | FAX: 770-614-6069 | info@omix-ada.com

DASH MULTI-MOUNT PHONE KIT, TJ/LJ



Components

- | | |
|-------------------------|-----|
| 1. Multi-Mount Tray | (1) |
| 2. Universal Ball Mount | (1) |
| 3. Cap Piece | (1) |
| 4. Self-Tapping Screw | (3) |

OMIX-ADA® TECHNICAL SUPPORT

PHONE: M-F 8am - 5pm EST 1-800-449-6649 | EMAIL: techsupport@omix-ada.com

FOR WARRANTY INFORMATION VISIT: www.Omix-Ada.com

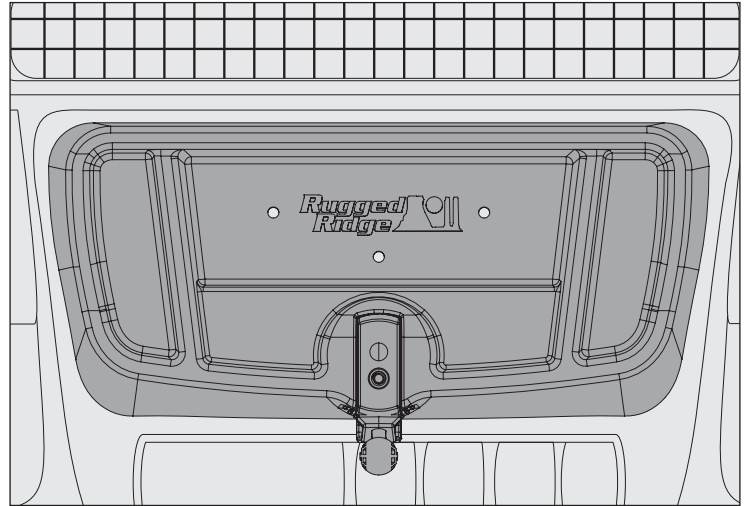


OMIX-ADA, Inc.

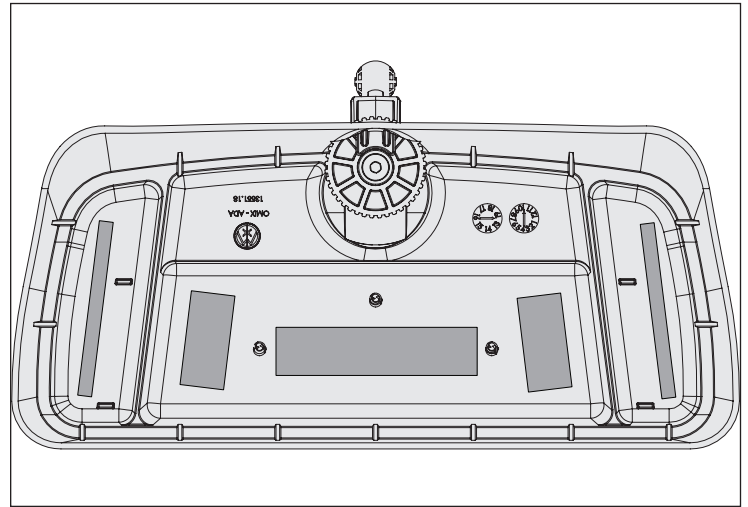
460 HORIZON DR. SUITE 400 | SUWANEE, GA 30024 | PHONE: 770-614-6101 | FAX: 770-614-6069 | info@omix-ada.com

DASH MULTI-MOUNT PHONE KIT, TJ/LJ

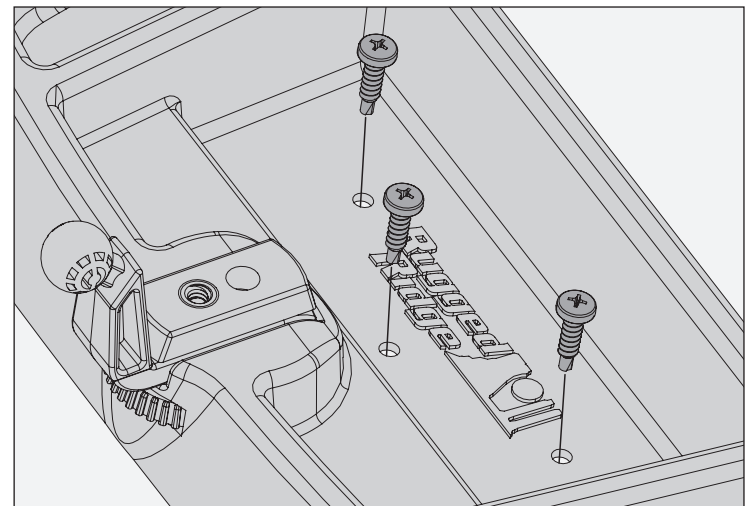
1. Remove all items and clean vehicle dash recess.
2. Test fit Multi-Mount Tray in dash recess. Multi-Mount Tray will sit at rear-most wall of dash recess.



3. Remove backing of adhesive tape and place Multi-Mount tray into dash recess.



4. Install three Self-Tapping Screws through Multi-Mount Tray into dash recess in vehicle, beginning with front-most Self-Tapping Screw.



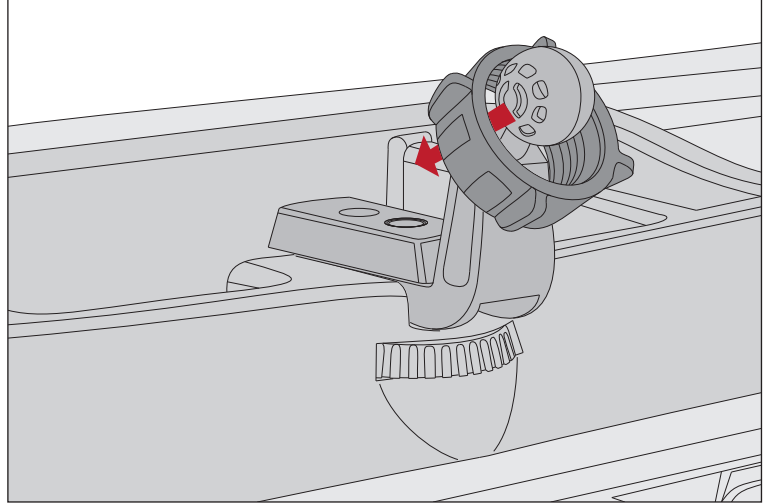


OMIX-ADA, Inc.

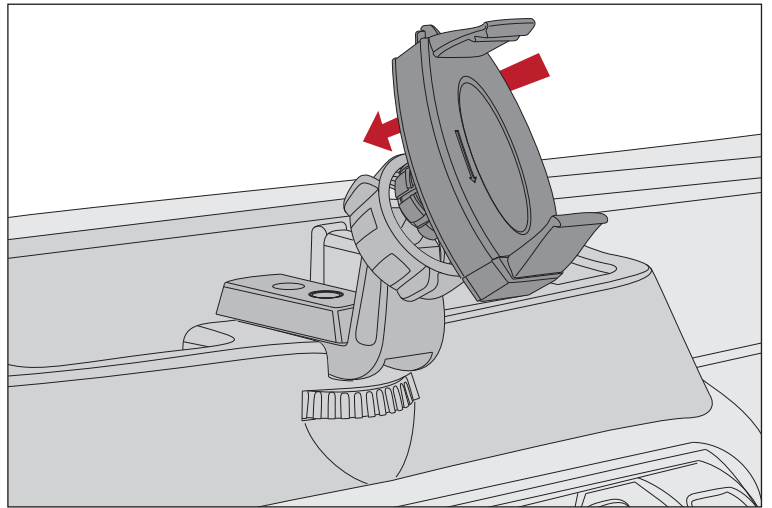
460 HORIZON DR. SUITE 100 | SUWANEE, GA 30024 | PHONE: 770-614-6101 | FAX: 770-614-6069 | info@omix-ada.com

DASH MULTI-MOUNT PHONE KIT, TJ/LJ

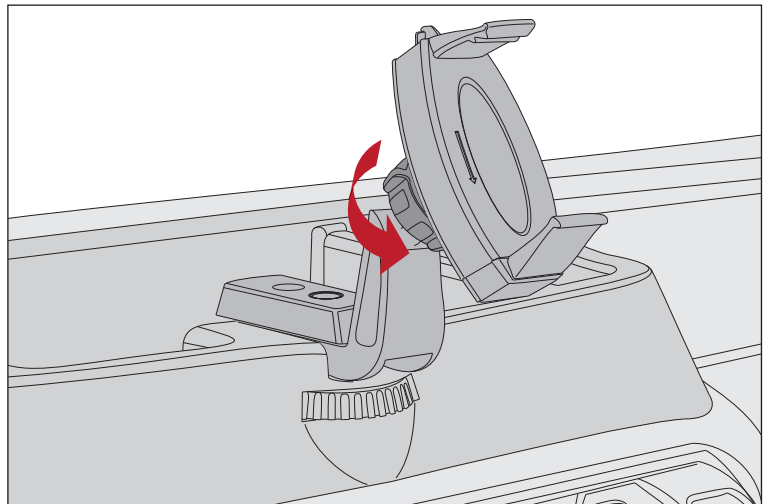
1. Place Outer Ring over end of Ball Mount.



2. Press Phone Mount adapter piece into Ball Mount.



3. Pull Outer Ring over Phone Mount adapter and twist to secure.



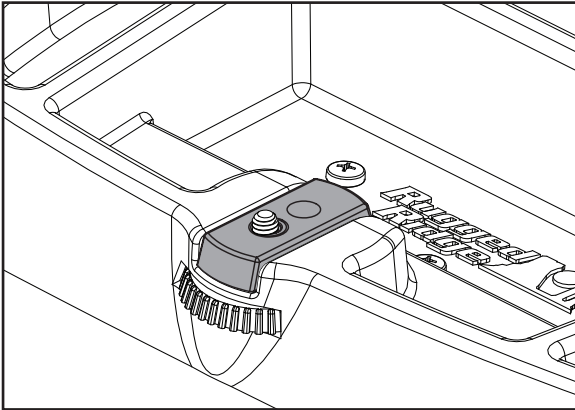


OMIX-ADA, Inc.

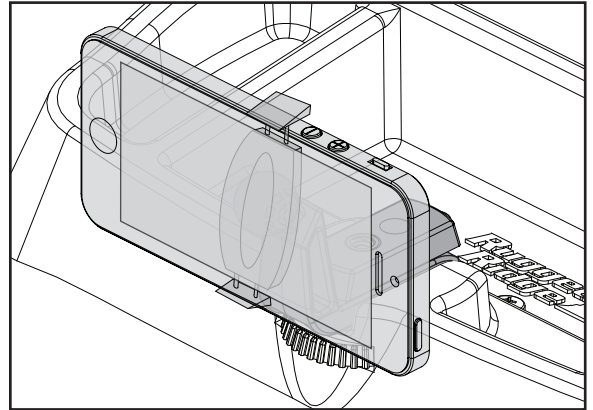
460 HORIZON DR. SUITE 400 | SUWANEE, GA 30024 | PHONE: 770-614-6101 | FAX: 770-614-6069 | info@omix-ada.com

DASH MULTI-MOUNT PHONE KIT, TJ/LJ

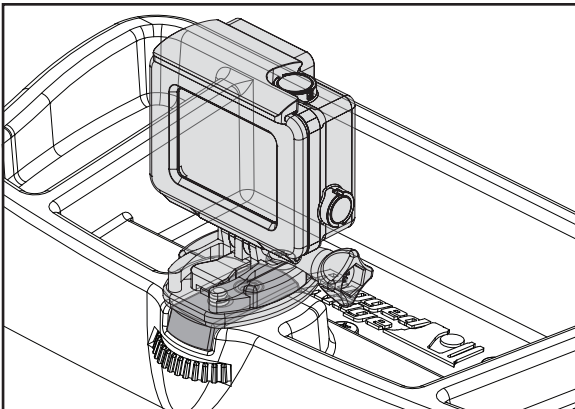
Four Configurations for Dash Multi-Mount System:



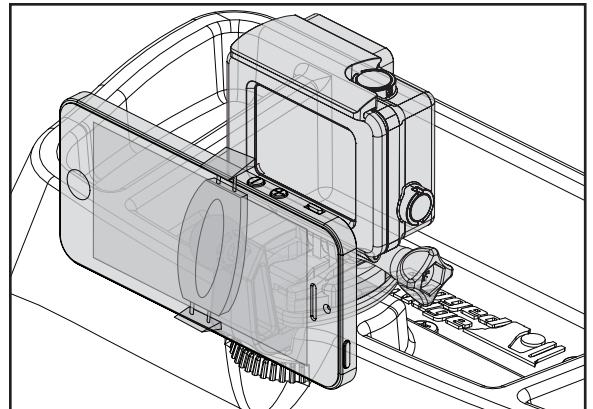
No Accessory



Phone/GPS Mount Only*



Camera/Tripod Mount Only



Phone and Camera Mount*