

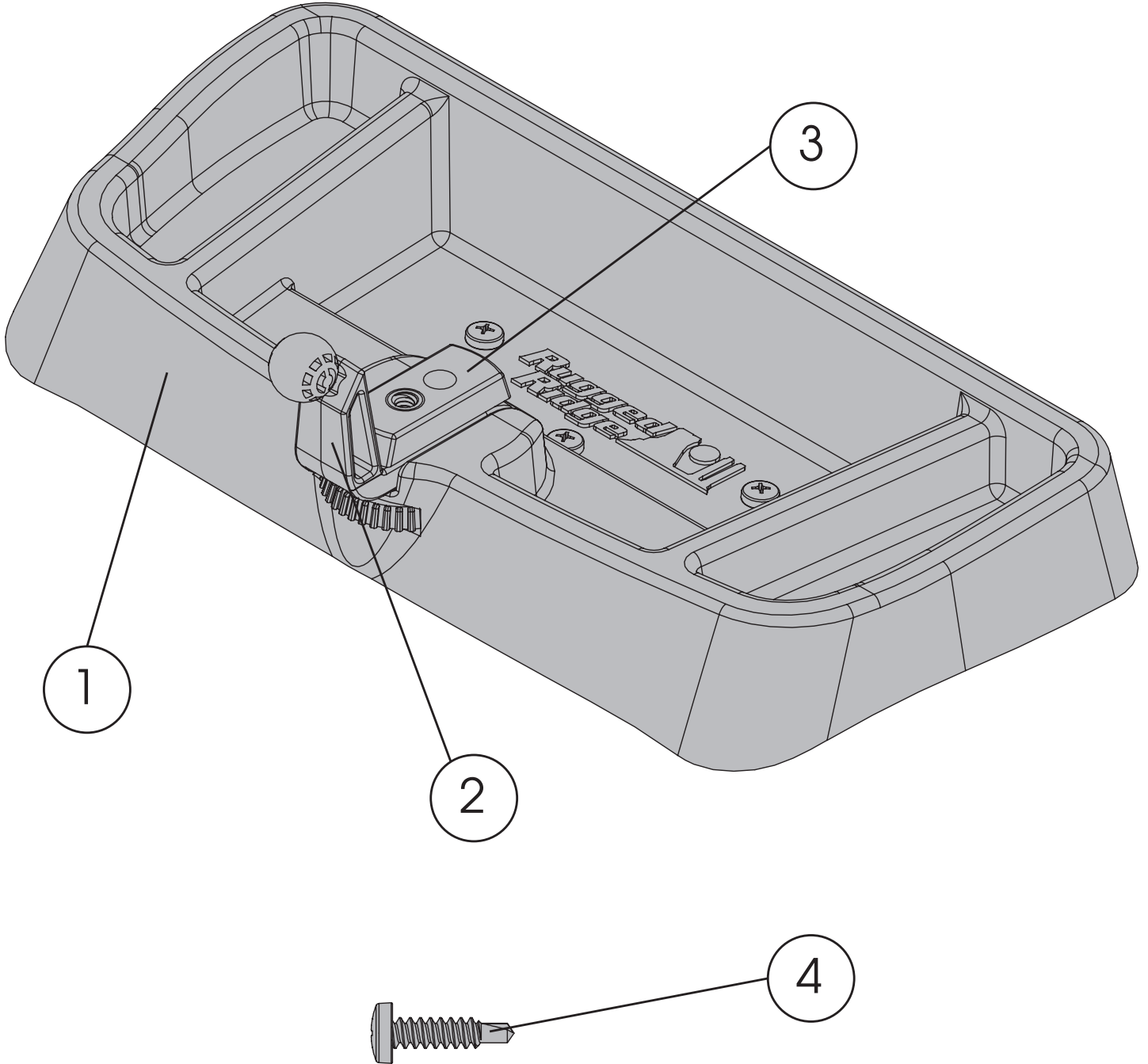


OMIX-ADA, Inc.

Part 13551.18

460 HORIZON DR. SUITE 400 | SUWANEE, GA 30024 | PHONE: 770-614-6101 | FAX: 770-614-6069 | info@omix-ada.com

DASH MULTI-MOUNT SYSTEM, TJ/LJ



Components

- | | |
|-------------------------|-----|
| 1. Multi-Mount Tray | (1) |
| 2. Universal Ball Mount | (1) |
| 3. Cap Piece | (1) |
| 4. Self-Tapping Screw | (3) |

OMIX-ADA® TECHNICAL SUPPORT

PHONE: M-F 8am - 5pm EST 1-800-449-6649 | EMAIL: techsupport@omix-ada.com

FOR WARRANTY INFORMATION VISIT: www.Omix-Ada.com

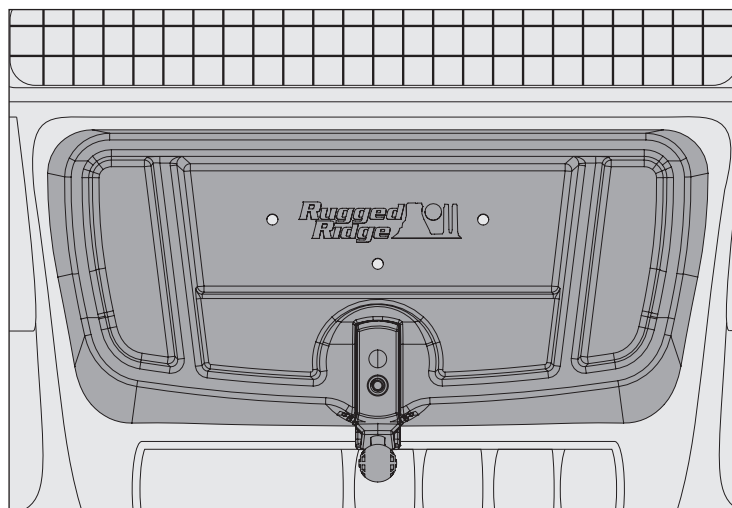


OMIX-ADA, Inc.

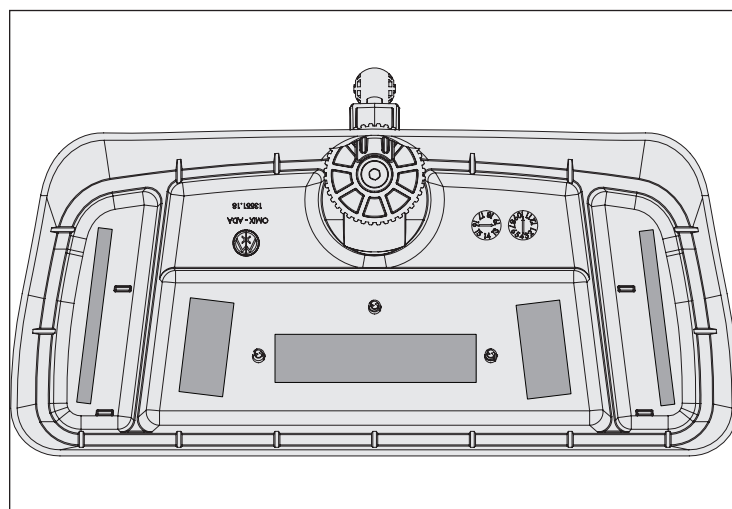
460 HORIZON DR. SUITE 400 | SUWANEE, GA 30024 | PHONE: 770-614-6101 | FAX: 770-614-6069 | info@omix-ada.com

DASH MULTI-MOUNT SYSTEM, TJ/LJ

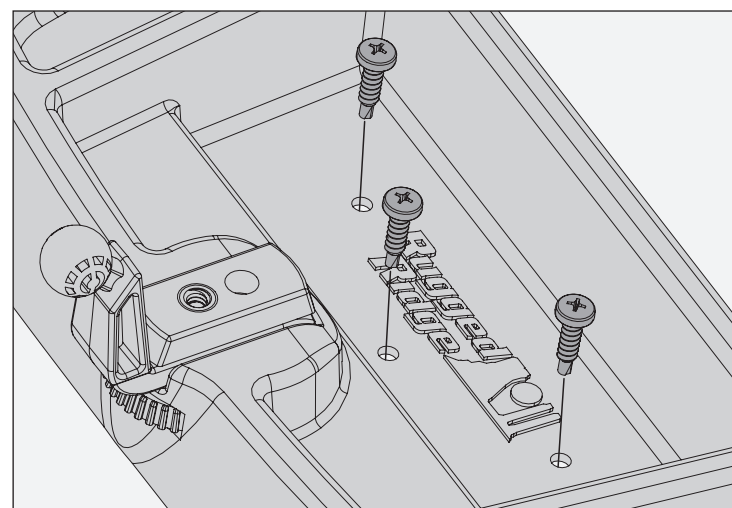
1. Remove all items and clean vehicle dash recess.
2. Test fit Multi-Mount Tray in dash recess. Multi-Mount Tray will sit at rear-most wall of dash recess.



3. Remove backing of adhesive tape and place Multi-Mount tray into dash recess.



4. Install three Self-Tapping Screws through Multi-Mount Tray into dash recess in vehicle, beginning with front-most Self-Tapping Screw.





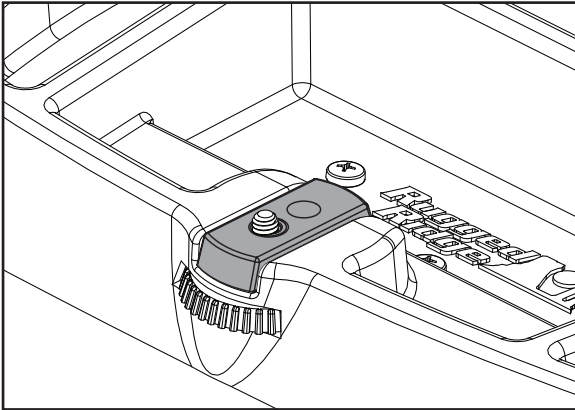
OMIX-ADA, Inc.

460 HORIZON DR. SUITE 400 | SUWANEE, GA 30024 | PHONE: 770-614-6101 | FAX: 770-614-6069 | info@omix-ada.com

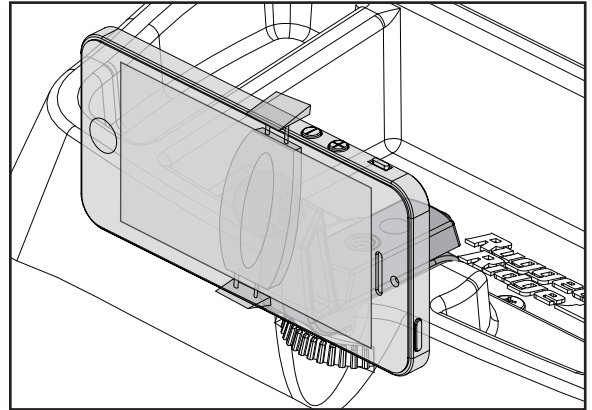
DASH MULTI-MOUNT SYSTEM, TJ/LJ

Four Configurations for Dash Multi-Mount System:

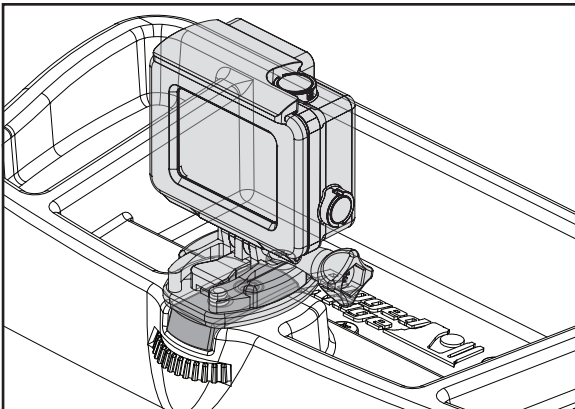
*Shown with Rugged Ridge Phone Mount (Part #13551.13)



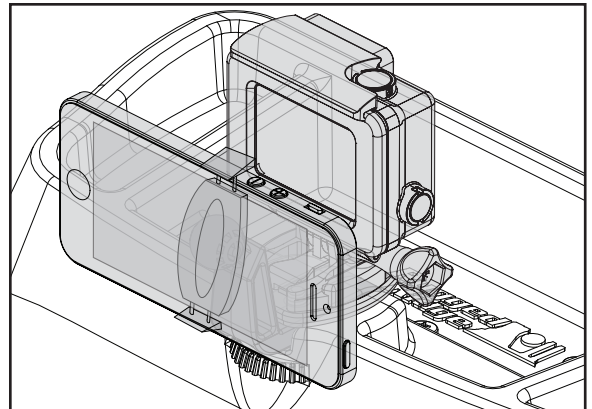
No Accessory



Phone/GPS Mount Only*



Camera/Tripod Mount Only



Phone and Camera Mount*