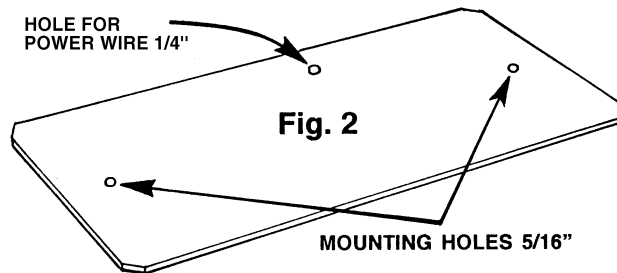


# INSTALLATION INSTRUCTIONS FOR ALL MODELS OF WOLO PRIORITY 1 WARNING LIGHTS

Your choice of a Wolo warning light is the perfect choice to compliment our vehicle. Our warning lights are manufactured with the finest materials. Each light is tested to meet our high standards before it is packaged, to assure a perfect working light. Our quality workmanship and components are Wolo's assurance of a product that will give years of dependable service.

## MOUNTING

1. Locate the desired location where you wish to mount the warning light. For best results you should make sure the lens is unobstructed so that the light can be seen 360 degrees.
2. The lens of the warning light is removed by unscrewing the four (4) hex screws, one in each corner of the lens. Carefully separate the lens from the base.
3. Position the warning light in the desired mounting location. Using the light base as a template, mark the two mounting hold locations. (Fig. 1) Remove warning light from mounting surface.
4. The rubber pad provided will help eliminate vibration and water leaks and has adhesive surface under the peel off paper. (DO NOT PEEL OFF PAPER FROM PAD AT THIS TIME).
5. Clean the surface area that the light is going to be mounted to, so it is free of dirt, wax and oil.
6. Remove the cut circles in the rubber pad. (Fig. 2)



7. Remove the paper from the rubber pad's surface and carefully position the pad onto the vehicle with adhesive side facing the mounting surface. IMPORTANT: be sure the two (2) mounting hole marks (step #3), line up perfectly with the mounting holes in the pad. When pad is in position, press firmly down on the pad for adhesive to hold in place.
8. Drill mounting holes and wire hole to size as shown in Fig. 2.
9. Holding the lights base push the entire power wire through the drilled hole and position the light onto the rubber pad.
10. Secure the base of the warning to the vehicle using the hardware provided. To prevent vibration and water leaks, use only the hardware provided by Wolo in this kit and mount only as shown in Fig. 3.

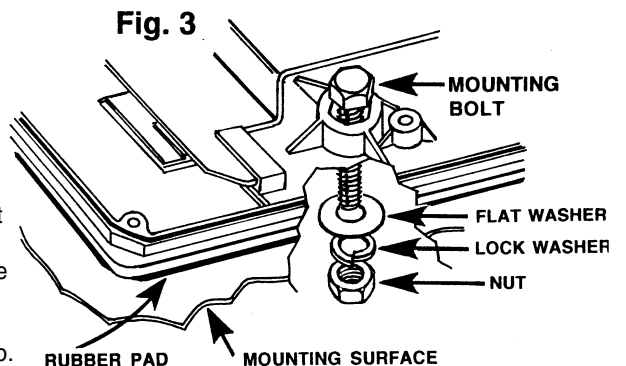
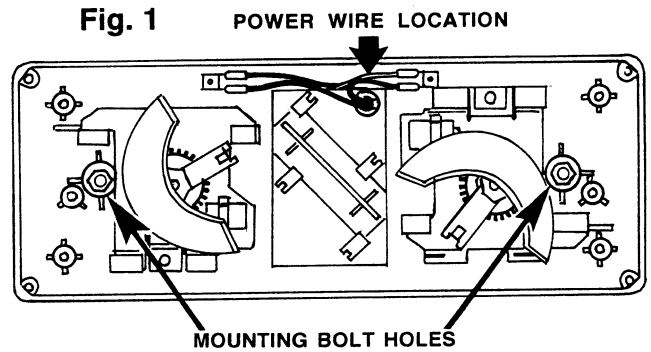
11. Secure the lens back in place on the base. Be sure not to over tighten and crack the lens.

## WIRING

12. Connect the warning light's wire labeled (+) volts, battery, alternator, etc. The 15-amp inline fuse provided must be used to protect the vehicle.
2. Connect the other warning light's wire to your on/off switch, (not provided).
3. Connect the other terminal or wire from the on/off switch to ground, any metal body bolt that is clean of paint and rust.
4. If you should need to lengthen any wires use 18 gauge or heavier Make sure all wire connections are taped and secured.

Replacement bulb type use only H3/55 watt halogen, 12 volt. Current draw: 9.2 amp.

If you need help installing your new Wolo warning lights, our technicians are available to answer your questions, Monday thru Friday, from 9 AM to 4 PM EST at 1-888-550-4676.



## Warranty

Wolo Manufacturing Corporation ("Wolo") warranties to the original purchaser, for three months from the date of purchase, that this product is free from defects in workmanship and materials. If there is such a proven defect, Wolo, at its option, will either repair or replace the item free of charge, if it is returned to Wolo within three months from the date of purchase together with proof of purchase as described below. Wolo reserves the right to inspect any defect prior to settling any warranty claim by repair or replacement. This warranty is limited as above provided and Wolo will not be responsible for fire or other casualty or accident, due to neglect, abuse, abnormal use, modifications, faulty installation of this product, or natural causes.

ANY EXPRESSED WARRANTY NOT PROVIDED HEREIN IS EXCLUDED AND DISCLAIMED. THE IMPLIED WARRANTIES OF MERCHANTABILITY AND OF FITNESS FOR A PARTICULAR PURPOSE ARE EXPRESSLY LIMITED TO A TERM OF THREE (3) MONTHS. UNDER NO CIRCUMSTANCES SHALL WOLO BE LIABLE TO PURCHASER OR ANY OTHER PERSON FOR ANY SPECIAL OR CONSEQUENTIAL DAMAGES, WHETHER ARISING OUT OF BREACH OF WARRANTY OR OTHERWISE.

To obtain warranty service, return the product prepaid, and include the original bill of sale showing the date of purchase. Provide with the return a brief description of the problem. Also, include with the return a check or money order in the amount of \$20.00 to cover return shipping. Mail to:

**Wolo Manufacturing Corp.**  
**One Saxwood Street, Deer Park, NY 11729**  
**Attn: Warranty Service E-mail: tech@wolo-mfg.com**

© 2006 Wolo Mfg. Corp  
 All Rights Reserved.