

INSTALLATION INSTRUCTIONS

MOUNTING KIT

GENERAL MOTORS 2011

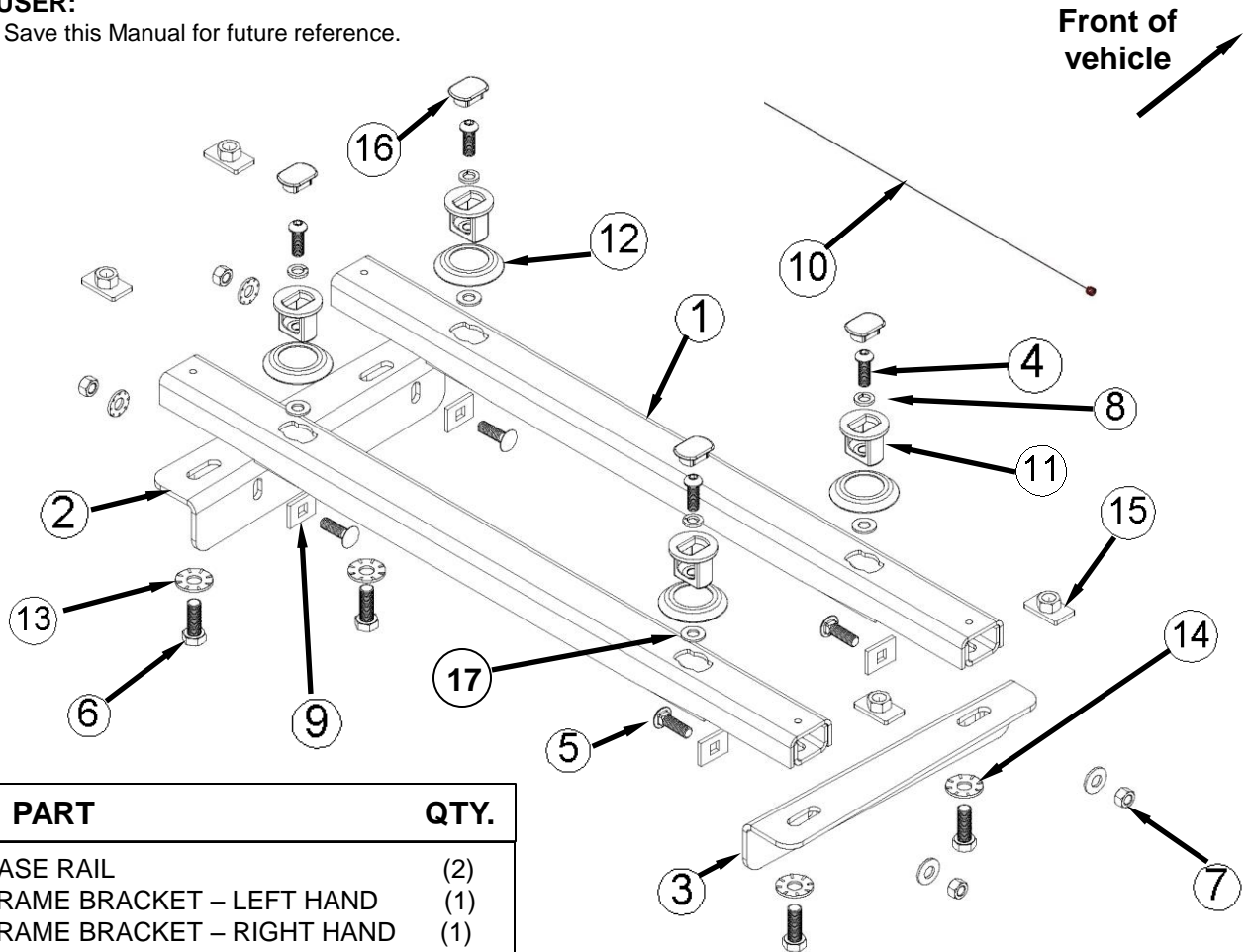
Chevrolet Silverado/GMC Sierra
2500HD & 3500HD

DEALER/INSTALLER:

- (1) Read all instructions before installation
- (2) Provide this Manual to end user.

END USER:

- (1) Save this Manual for future reference.



PART	QTY.
------	------

1	BASE RAIL	(2)
2	FRAME BRACKET – LEFT HAND	(1)
3	FRAME BRACKET – RIGHT HAND	(1)
4	5/8-11 BUTTON HEAD SCREW	(4)
5	5/8-11 GRADE 8 CARRIAGE BOLT 2"	(4)
6	3/4-10 GRADE 8 HEX HEAD BOLT 2"	(4)
7	5/8-11 GRADE 8 NUT	(4)
8	5/8 LOCK WASHER	(4)
9	SPACER (SQUARE HOLE)	(4)
10	PULL WIRE	(2)
11	PUCK	(4)
12	TRIM RING	(4)
13	3/4" CONICAL WASHER	(4)
14	5/8" CONICAL WASHER	(4)
15	NUT / SPACER ASSEMBLY	(4)
16	PUCK PLUG	(4)
17	5/8" FLAT WASHER	(4)

Note: GMC/Chevrolet 2500/3500 8' bed chassis pictures are shown through out these instructions.

The 6' bed will have a hat channel directly above the rear axel. The same installation process will be used for the 6' bed but the rails will be located approximately as shown in figures 13 & 14.

For Installation Assistance or Technical Help, Call 1-888-521-0510

⚠ WARNING:

Failure to follow all of these instructions may result in death or serious injury!

INDEX

- | | |
|---|--------|
| 1. GUIDELINES FOR MATCHING TOW VEHICLE AND TRAILER | P. 2-4 |
| 2. ASSEMBLY INSTRUCTIONS | P. 5-9 |
| 3. CEQUENT PERFORMANCE PRODUCTS, INC. LIFETIME LIMITED WARRANTY | P. 10 |

GUIDELINES FOR MATCHING HITCH TRUCK AND TRAILER

⚠ WARNING:

Failure to check and follow tow ratings could result in tow vehicle damage or truck and trailer separation while towing.

- Trailer and its contents together must not exceed truck, hitch and/or trailer tow ratings.
- Towing vehicle must have a manufacturer’s rated towing capacity equal to or greater than the gross trailer weight (dry weight of the trailer plus payload of the trailer). (Figure 2)
- Gross weight of trailer must not exceed fifth wheel hitch rating.
- King pin weight must not exceed fifth wheel rating (Figure 3). If in doubt have king pin weight measured by a qualified technician.

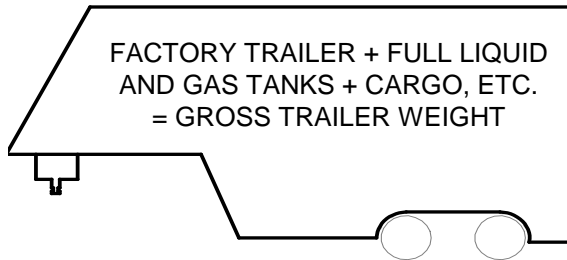


Figure 2

1. Check Tow Ratings:
 Vehicle Tow Rating: _____
REESE® Elite™ Series Hitch Rating: _____
 Gross Trailer Weight (**Figure 2**): _____
***Trailer weight should be the lowest of these recorded ratings for safe towing conditions.**
2. Cequent Performance Products, Inc. hitches are designed for use with recreational fifth wheel trailers only. Hitch applications other than recreational fifth wheel trailers must be approved in writing by Cequent Performance Products, Inc. Engineering Department.
3. Use only a SAE 2” kingpin with your *REESE® Elite™ Series* Fifth Wheel Hitch.
4. Approximately 15%-25% of trailer weight should be on hitch (Pin Weight)(**Figure 3**).

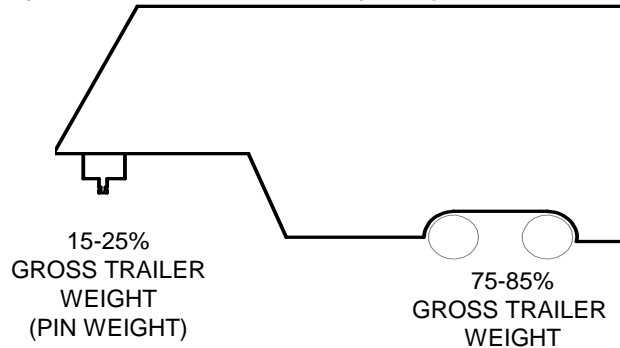


Figure 3

5. Trucks come in many different configurations. Cequent Performance Products, Inc. hitches are designed for use in light trucks such as the Ford F-Series, the Chevy Silverado and the Dodge Ram. Cequent Performance Products, Inc. recommends the use of long bed (8') light trucks for the best combination in truck - trailer turning clearance.

Rule of thumb: The distance from the back of the truck cab to the center of the rear truck axle ("X" in **Figure 4**), should be approximately 4" greater than one-half the trailer width ("Y" in **Figure 4**)

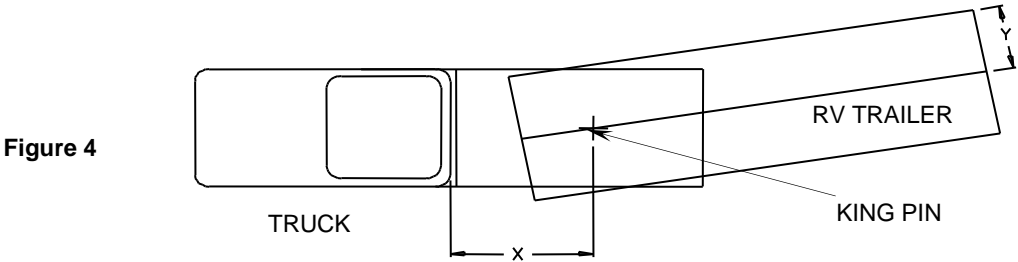


Figure 4

6. If a short bed pickup (less than 8' but longer than 6') is to be used for towing, Cequent Performance Products, Inc. recommends the trailer be equipped with an extended pin box to help gain additional truck - trailer turning clearance (See trailer manufacturer for options) (**Figure 5**). It also may be helpful to add a REESE® Elite™ Series Slider (**Part # 30070**) for increased turning clearance for low speed, non-highway maneuvering.

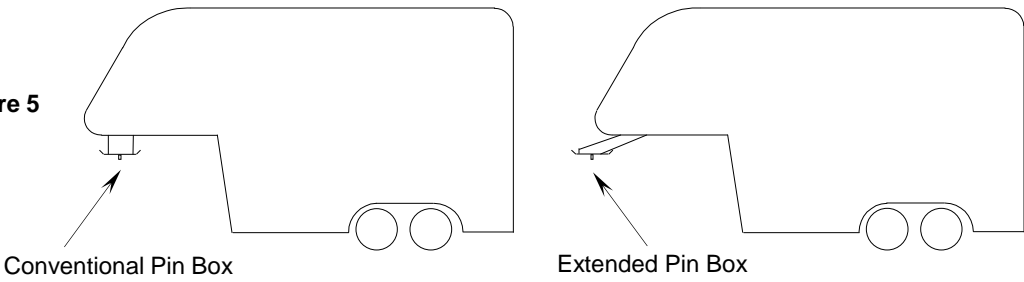
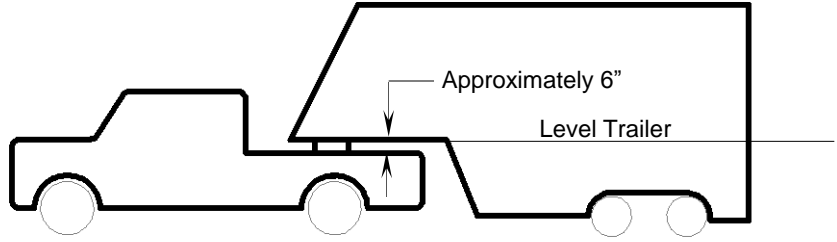


Figure 5

WARNING:
Do Not install this fifth wheel hitch on or attempt to tow with a short bed pickup truck that has a bed shorter than 6' unless trailer is equipped with a Sidewinder™ pin box!

7. The height of the hitch and the pin box should be adjusted so the trailer is approximately level as it is towed. Allow approximately 6" clearance between the top of the pickup walls and the underside of the front of the trailer for pitch and roll of the trailer. (**Figure 6**). Allow more clearance between pickup walls and trailer for off road use.

Figure 6



CAUTION:

The measurements above are guidelines. If your measurements are close to these numbers re-check clearances. If vehicle and/or trailer has any added bed vicinity accessories (i.e. fairings, air dams, ground effects, bed rails, etc.). Additional dimensioning and clearance checks have to be made.

8. Hitch height determination:

With trailer leveled and on level ground measure from the ground to the king pin box ("A" in **Figure 7**). Secondly measure the height of the inside of the truck bed ("B" in **Figure 7**). Determine the amount of clearance over the side rails ("C" and "D" in **Figure 7**), as mentioned in **step 7**.

$$\text{Hitch Height} = A - B + 2''$$

The 2" value is an estimate of suspension compression due to king pin weight of the trailer. This compression could range between 1"-5" depending on the truck being used and the trailer being towed.

$$D - C + 2'' > 6'' \text{ as in step 7.}$$

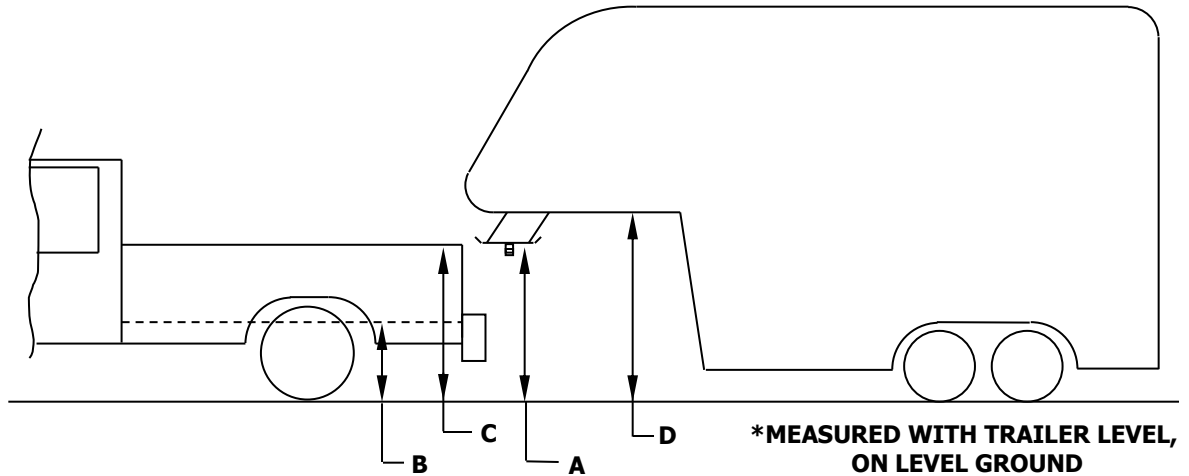


Figure 7

9. If a lube plate is to be used with a REESE® Elite™ Series fifth Wheel it must be at least 12" in diameter. Cequent Performance Products, Inc. offers this optional lube plate as part # 83001.

⚠ WARNING:

- Connection for trailer wiring must be located at the side of the truck bed between the driver's seat and the rear wheel to prevent operators from working between the truck and trailer.
- Avoid putting any part of your body under the trailer or between the truck and trailer. Unexpected or accidental movement of the truck or the trailer can cause serious injury or death
- If you must place any part of your body under the trailer or between the truck and trailer you **MUST** perform **ALL** of the following steps:
 - Check that the truck transmission is in park
 - Check that the emergency brake is on
 - Block in front of and behind all trailer tires
 - Check that the trailer landing gear are resting on firm ground

GENERAL INSTRUCTIONS FOR FIFTH WHEEL INSTALLATION

TOOLS

1-1/8" socket and/or open end wrench

18mm socket

3/8" Hex socket

15/16" Socket & Open End Wrench

200 lb-ft Torque Wrench

3-1/4" Hole Saw OR 3-1/4" Greenlee Knockout Punch

CAUTION!

Read page 2-4 of these instructions before starting installation. Failure to do so could result in significant vehicle damage!

1. The following instructions should be used to mount the fifth wheel. Care and attention to detail will ensure a quick quality installation. Check parts against parts list to become familiar with parts in kit. (**Figure 1**)
2. Raise rear of truck high enough to allow jack stands to be placed under rear spring hanger bracket of truck. This will provide maximum room to install the fifth wheel brackets.



WARNING:

If the truck is raised, be sure that the truck is properly blocked and restrained to prevent the truck from falling. Failure to do so may result in the truck suddenly falling, causing death or serious injury.

3. Plastic drop-in bed liners must be cut out of the way. **Remove plastic bed liner if applicable.** Spray-in bed liners and bed mats less than 1/4" thick will work with normal installation instructions. **Note:** Consult installer for recommended curing time on spray-in liner before cutting holes through bed.

CAUTION:

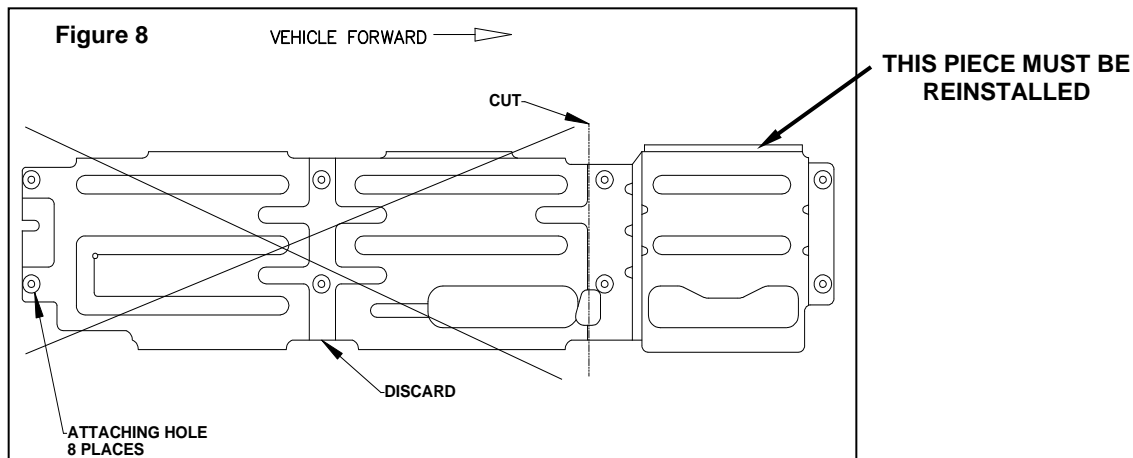
Check for obstructions before drilling. Failure to do so could result in damaged fuel/brake lines, structural members, etc. CEQUENT PERFORMANCE PRODUCTS, INC. does its best to communicate tow vehicle manufacturer changes; however, it is ultimately the responsibility of the installer to prevent damage due to installation.

4. Use only CEQUENT PERFORMANCE PRODUCTS, INC. supplied bolts, nuts, and washers to install this kit. All bolts and nuts are Grade 8 unless specified otherwise.
5. These instructions are intended for a specific group of trucks. Each frame bracket must be bolted to the vehicle frame with two bolts.

CAUTION:

These instructions are guidelines only. Actual installation is the responsibility of the installer and the owner. Always measure truck and trailer before installing hitch to be sure that there is clearance at the cab and at the bumper to allow for turns.

6. Trim rear heat shield as seen in **Figure 8**. Reinstall heat shield once mounting kit is in place.



7. Using a 18mm socket to remove all passenger side bed bolts and loosen or remove all driver side bed bolts. Then raise and support the truck bed. (Only one side may need to be raised in which case the passenger side is recommended).
8. Insert rails as shown in the following steps (**Figures 9 through 14**). With flat side up rear rail should be inserted first. With flat side up insert front rail second. Refasten truck bed bolts after rails are inserted.

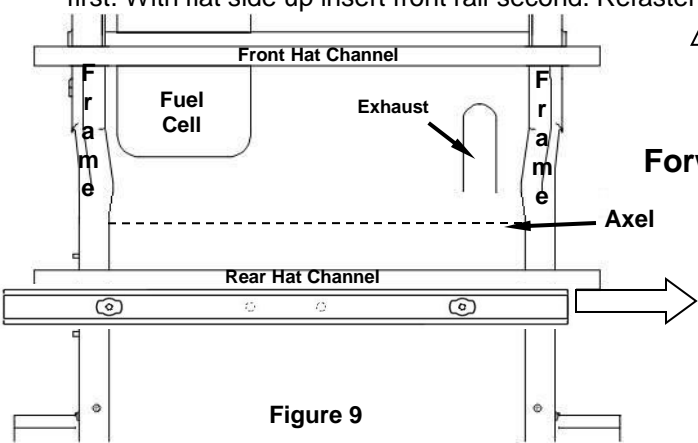


Figure 9

Step 1 : Slide one rail in behind the hat channel located over the axle. Lift and position it so that it rests on the frame.

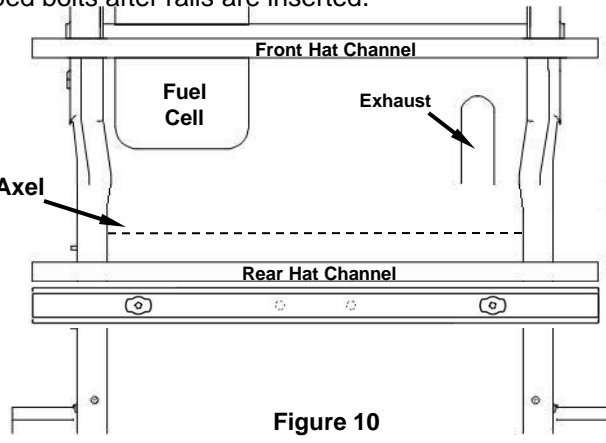


Figure 10

Step 2 : Position the rail near the rear hat channel as shown so that it rests evenly on both sides of the frame.

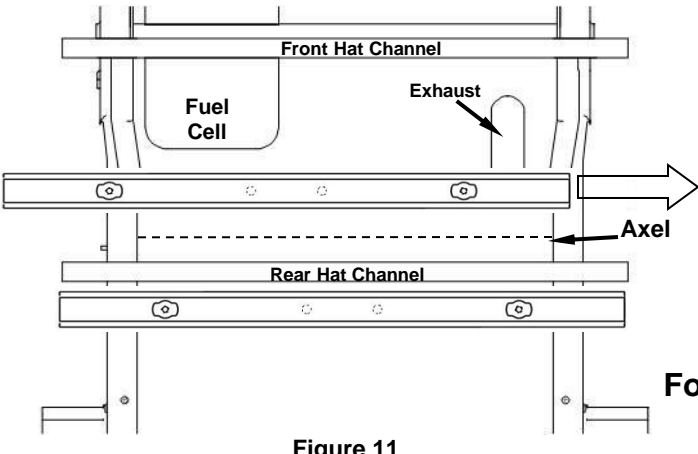


Figure 11

Step 3 : Slide the front rail in over the frame as shown.

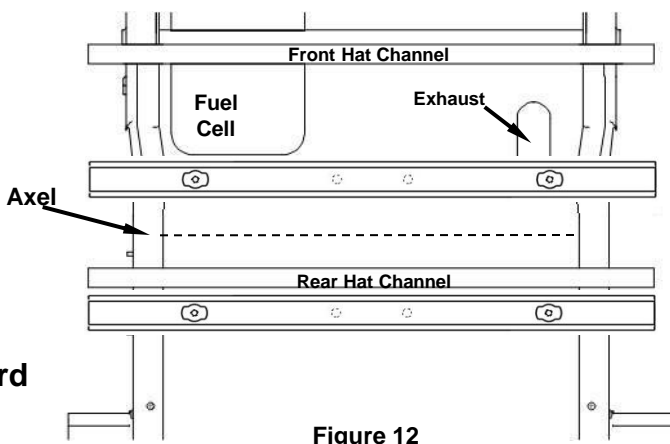


Figure 12

Step 4 : Position the rail approximately as shown so that it rests evenly on both sides of the frame.

Note: Fig. 13-14 refer to the 6' Bed

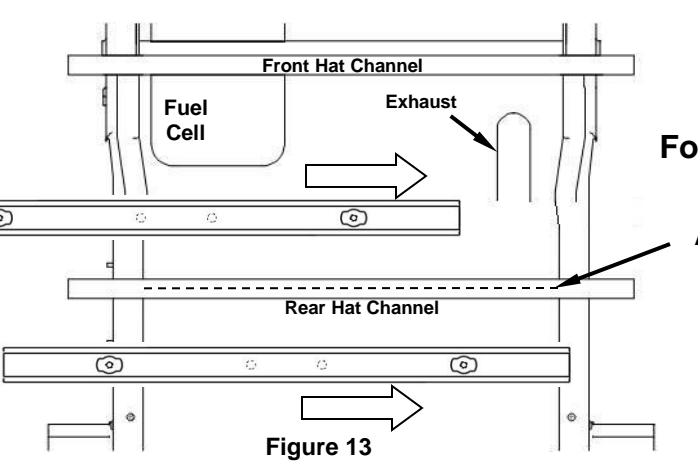


Figure 13

Step 1 : Lift and rotate the rails over the exhaust and towards the hat channel

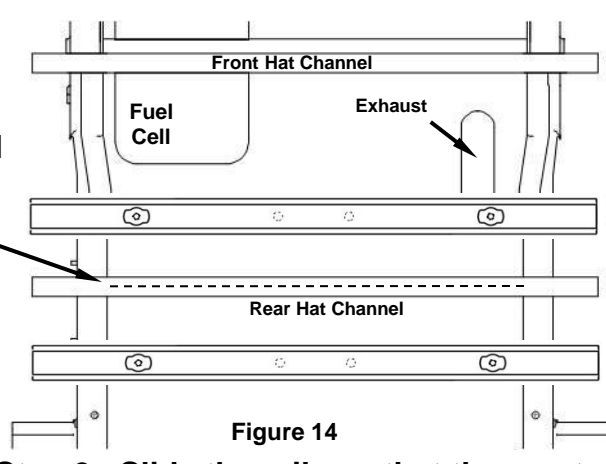


Figure 14

Step 2 : Slide the rails so that they rest evenly on both sides of the frame as shown

Loosely attach frame brackets to rails using 3/4" X 2" hex bolts, 3/4" conical washers, and welded nut/spacer hardware. (Figures 15 & 16).

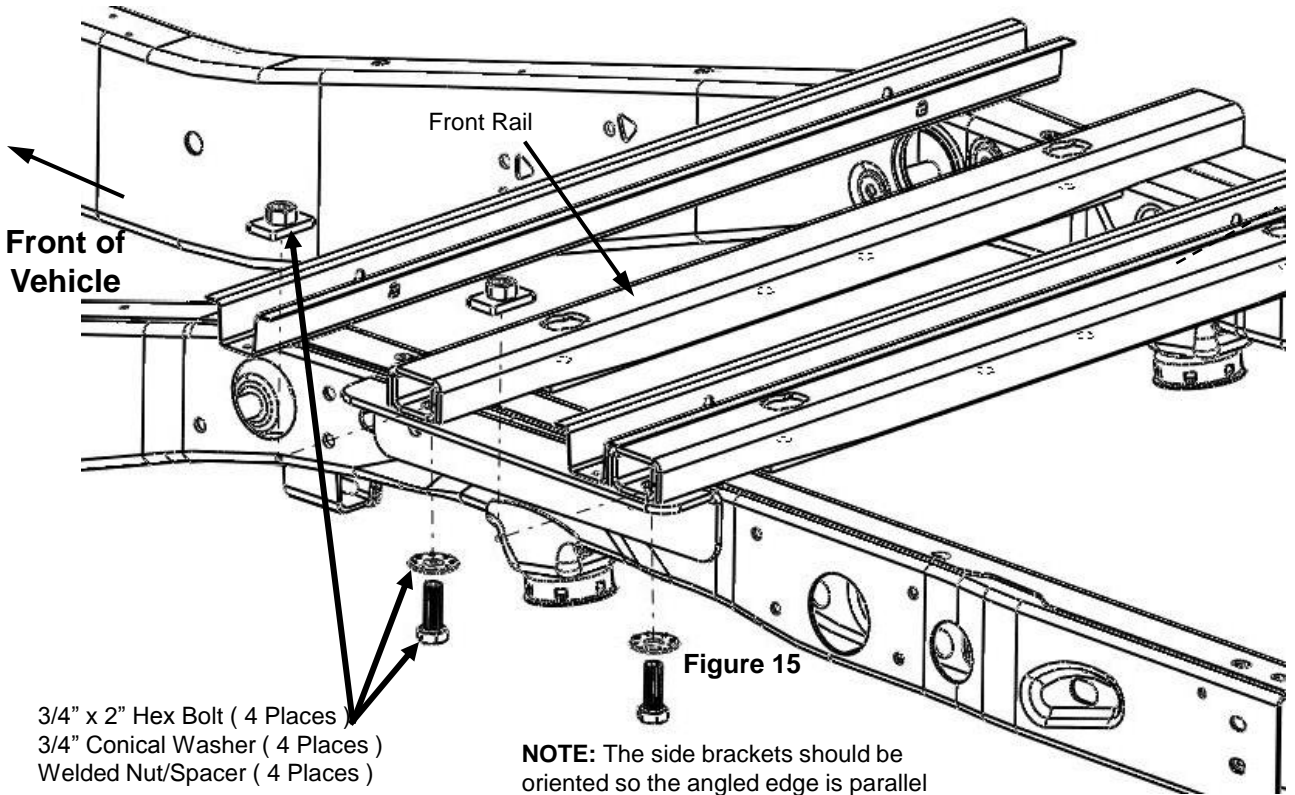


Figure 15

NOTE: The side brackets should be oriented so the angled edge is parallel to the top of the truck frame. (The larger slots will be on top)

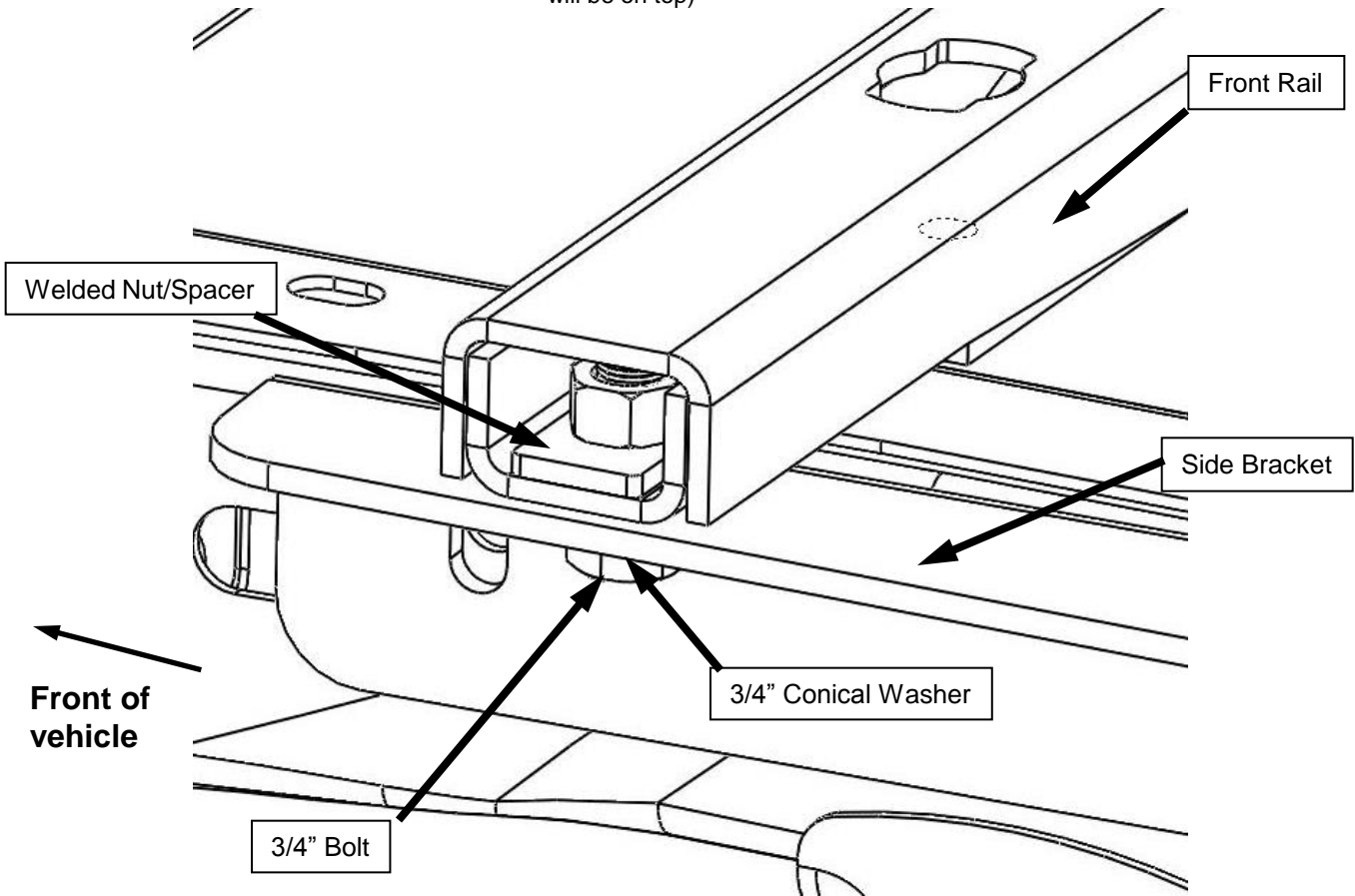


Figure 16

11. Loosely attach frame brackets to frame using 5/8" x 2" carriage bolts, 5/8" conical washers, spacers, and 5/8" nuts hand tighten (**Figure 17&18**). Slide spacer onto the carriage bolt and thread the carriage bolt into the pull wire. Guide the pull wire through chassis (using access hole as shown), then guide the wire through the chassis to position bolt and spacer through mounting holes. Loosely attach conical washer and nut from outside of frame rail.

5/8" Carriage bolt will mount here using pull wire from access hole

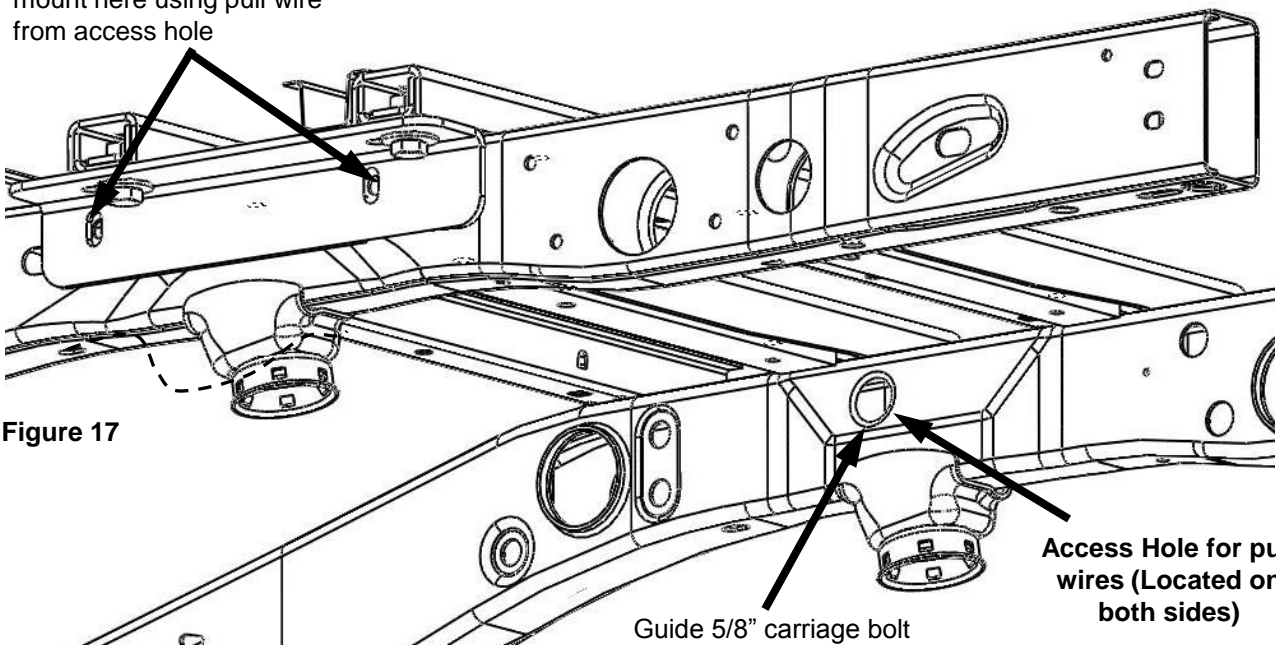


Figure 17

Access Hole for pull wires (Located on both sides)

Guide 5/8" carriage bolt and spacer through chassis opening here

5/8" Nut (4 Locations)
5/8" Conical Washer (4 Locations)

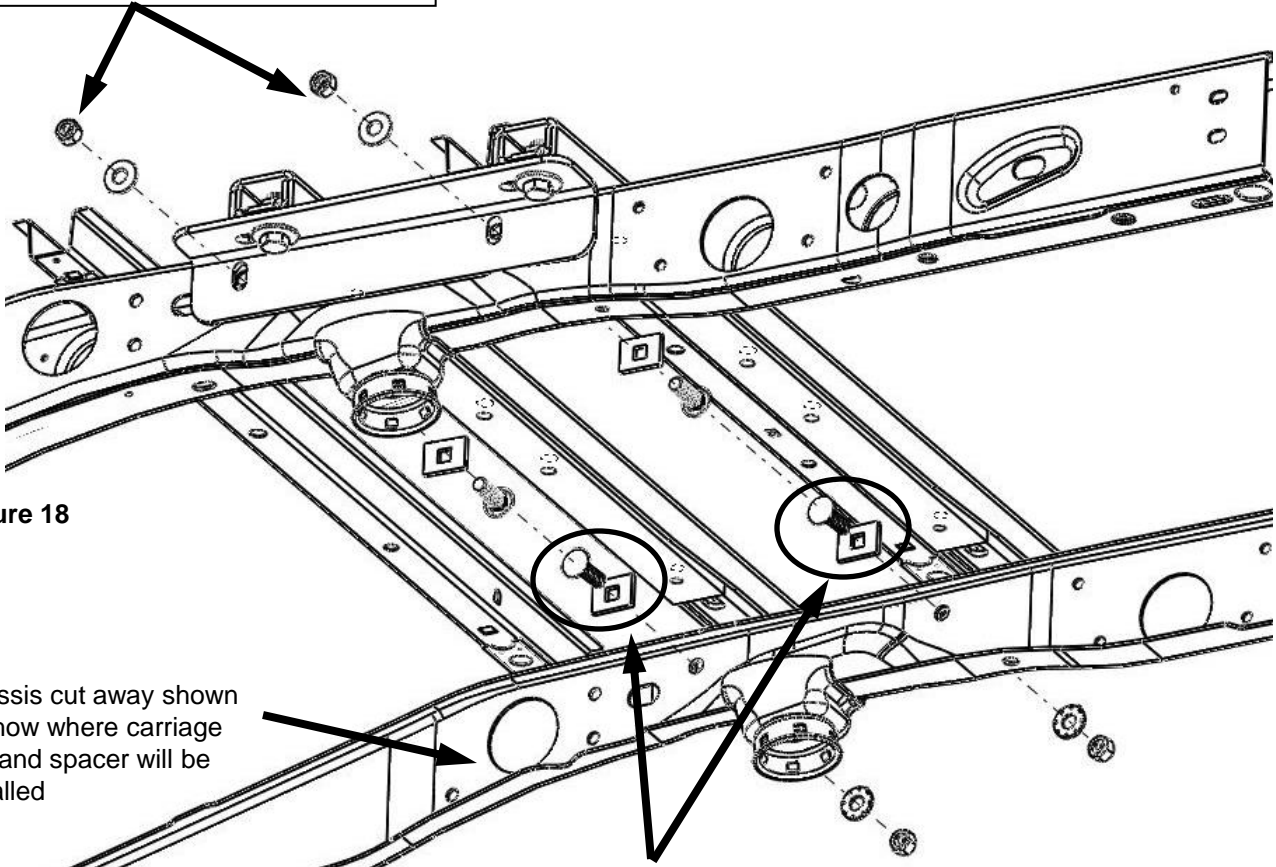


Figure 18

Chassis cut away shown to show where carriage bolt and spacer will be installed

Place 5/8" Carriage Bolt and a spacer on a pull wire (4 locations)

12. Using the drivers side edge of the bed corrugation, find the center of the truck bed. Measure the locations of the holes that will need to be cut using **Figure 20** (long bed application) or **Figure 21** (short bed application). If a plastic drop-in bed liner is used cut 19" X 4" slots in liner measured from center of holes in truck bed. If the *REVERSE® Elite™ Series* slider fifth wheel assembly is used, then see fifth wheel slider assembly instructions for slot cut dimensions.

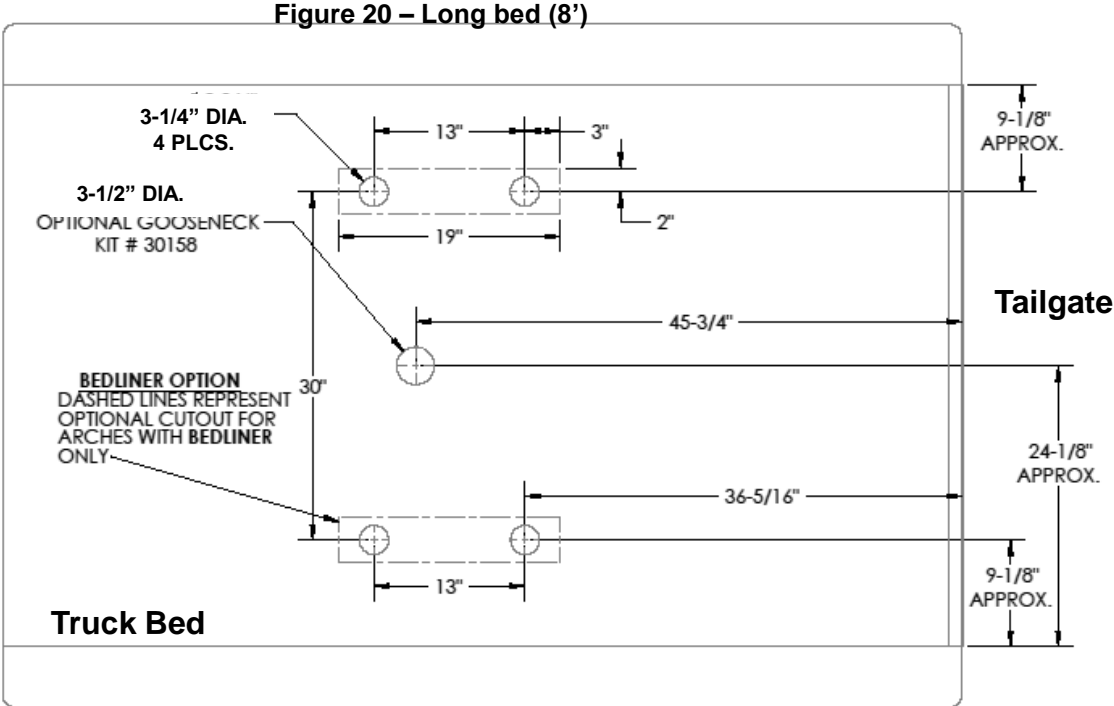
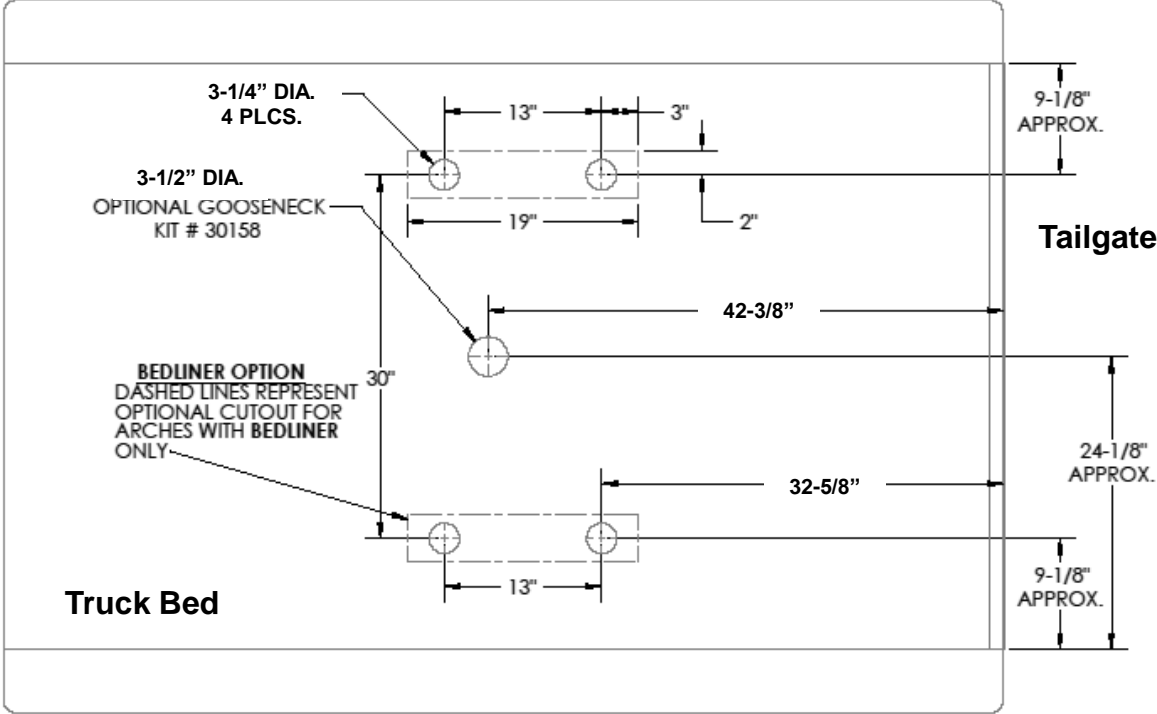


Figure 21 – Short Bed (6')



13. Remove 5/8" x 2" bolts attaching frame bracket to mounting rails. Move rails rearward or forward to prevent interference with hole drilling or punching of the truck bed.

CAUTION:

Check for obstructions before drilling. Failure to do so could result in damaged fuel or brake lines, structural members, etc. CEQUENT PERFORMANCE PRODUCTS, INC. does its best to communicate tow vehicle manufacturer changes; however, it is ultimately the responsibility of the installer to prevent damage due to installation.

14. Drill pilot hole in truck bed per measurements. With hole saw or knockout punch in large hole to 3-1/4". Plastic bed liner will need to be removed before drilling or punching out. Bed liner will need to be cut as noted in general instruction #3 on page 5. Optional: Spray under coating around 3-1/4" holes to prevent rusting.
15. Loosely reattach rails to frame bracket.
16. From truck bed attach pucks and trim rings to rails (**Figure 22**) using 5/8" flat washer under the puck, button head screw and lock washer. Tighten to 100ft.lbs. torque.

Figure 22

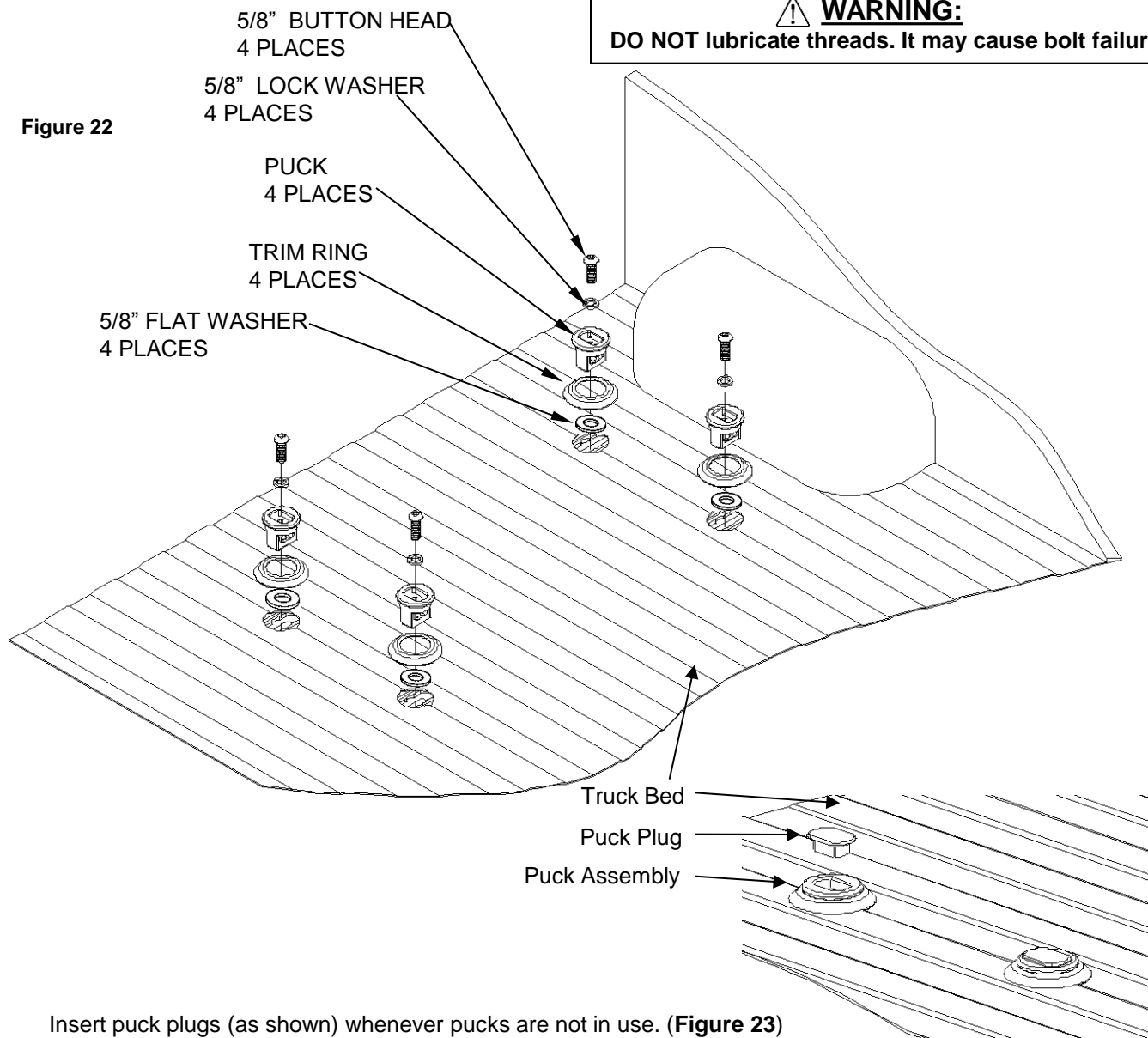


Figure 23

17. Insert puck plugs (as shown) whenever pucks are not in use. (**Figure 23**)
18. Install *REESE® Elite™ Series* fifth wheel per hitch assembly instructions.
19. Torque hitch assembly bolts per hitch instructions.
20. Torque all 5/8" rail kit hex bolts to 170ft.lbs and 3/4" hex bolts to 260ft.lbs
21. Replace any brake lines and spare tire that may have been removed/relocated.

NOTES

LIFETIME LIMITED WARRANTY

Cequent Performance Products Inc. (“We” or “Us”) warrants the Elite Series 5th Wheel Hitch Mounting Kits to the original consumer purchaser only (“You”) that the product will be free from material defects in both material and workmanship, ordinary wear and tear expected; provided that installation and use of the product is in accordance with product instructions. There are no other warranties, express or implied, including the warranty of merchantability or fitness for a particular purpose. This warranty is not transferable.

This warranty does not cover: (a) normal wear and tear; (b) damage through abuse, neglect, misuse, or as a result of any accident or in any other manner; (c) damage from misapplication, overloading, or improper installation; (d) improper maintenance and repair; and (e) product alteration in any manner by anyone other than Us, with the sole exception of alterations made pursuant to product instructions and in a workmanlike manner.

To make a Warranty claim, contact Us, at our principal address of 47912 Halyard Dr. Suite 100, Plymouth, MI 48170, 1-800-521-0510, identify the product by model number, and follow the claim instructions that will be provided. Any returned product that is replaced by Us becomes our property. You will be responsible for return shipping costs. Please retain your purchase receipt to verify date of purchase and that You are the original consumer purchaser. The product and the purchase receipt must be provided to Us in order to process Your Warranty claim.

Product replacement is Your sole remedy under this Warranty. We shall not be liable for service or labor charges incurred in removing or replacing a product or any incidental or consequential damages of any kind.

You acknowledge and agree that any use of the product for any purpose other than the specified use(s) stated in the product instructions is at Your own risk.

This Warranty gives you specific legal rights, and You may also have other rights which vary from state to state. This Warranty is governed by the laws of the State of Michigan, without regard to rules pertaining to conflicts of law. The state courts located in Oakland County, Michigan shall have exclusive jurisdiction for any disputes relating to this warranty.

Cequent Performance Products, Inc.
47912 Halyard Dr. Suite 100
Plymouth, MI. 48170

INSTRUCTIONS D'INSTALLATION NÉCESSAIRE DE MONTAGE GENERAL MOTORS 2011 ET PLUS RÉCENT

Numéro de pièce
30868

Chevrolet Silverado/GMC Sierra 2500HD et 3500HD

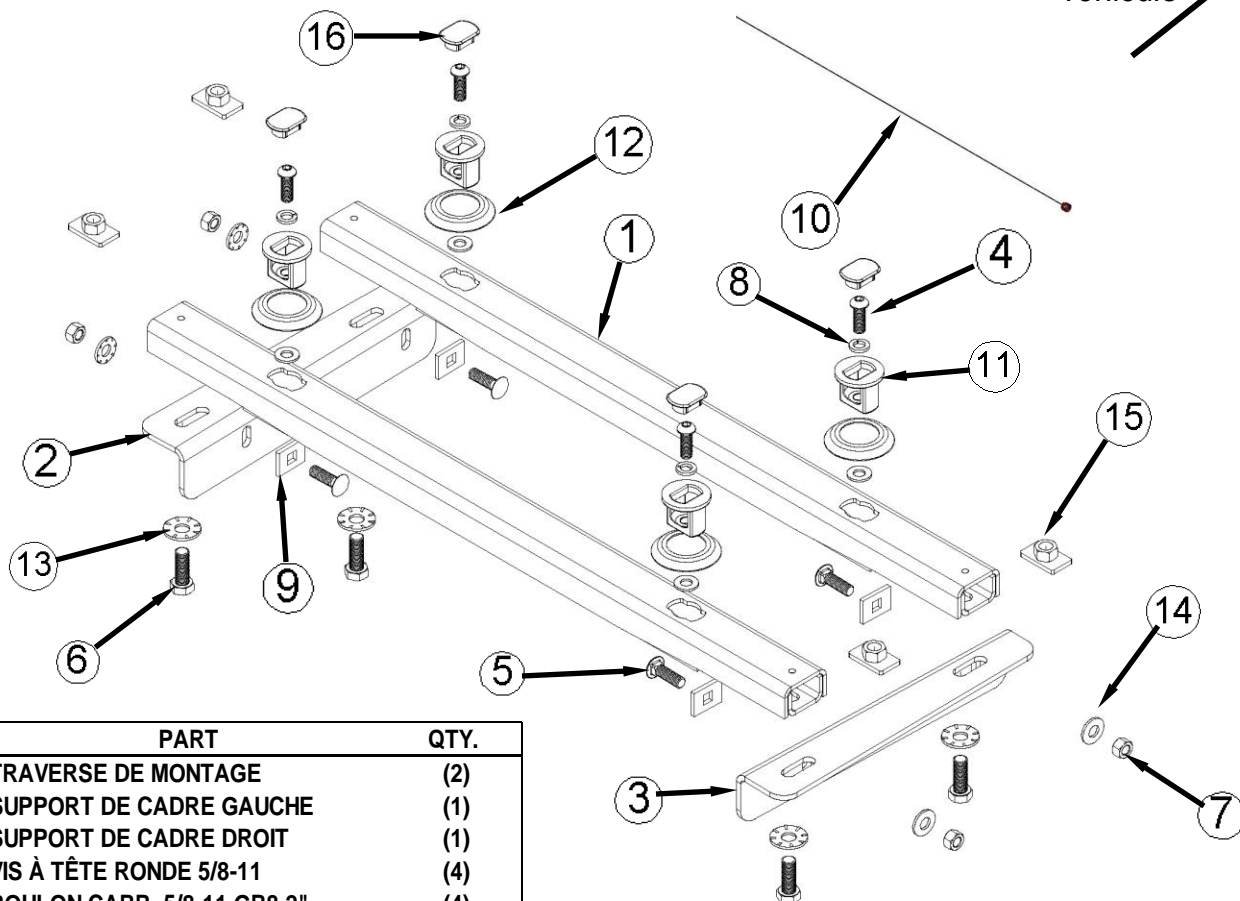
CONCESSIONNAIRE/INSTALLATEUR :

- (1) Lire toutes les instructions avant l'installation.
- (2) Remettre ce manuel à l'utilisateur final.

UTILISATEUR FINAL :

- (1) Conserver ce manuel pour consultation ultérieure.
- (2) Remettre des copies du manuel à tout autre utilisateur ou propriétaire de l'attelage.

Avant du
véhicule



PART	QTY.
1 TRAVERSE DE MONTAGE	(2)
2 SUPPORT DE CADRE GAUCHE	(1)
3 SUPPORT DE CADRE DROIT	(1)
4 VIS À TÊTE RONDE 5/8-11	(4)
5 BOULON CARR. 5/8-11 GR8 2"	(4)
6 BOULON HEX. 3/4-10 GR8 2"	(4)
7 ÉCROU 5/8-11 GR8	(4)
8 RONDELLE FREIN 5/8	(4)
9 ESPACEUR (ORIFICE CARRÉ)	(4)
10 FIL DE TIRAGE	(2)
11 RÉCEPTACLE	(4)
12 ANNEAU DE GARNITURE	(4)
13 RONDELLE CONIQUE 3/4"	(4)
14 RONDELLE CONIQUE 5/8"	(4)
15 ASSEMBLAGE ÉCROU/ESPACEUR	(4)
16 BOUCHON DE RÉCEPTACLE	(4)

Remarque : Les modèles GMC/Chevrolet 2500/3500 à plateforme de 8 pi servent à illustrer ces instructions.

La plateforme de 6 pi est dotée d'un profilé en forme d'oméga directement au-dessus de l'essieu arrière. La même procédure d'installation est utilisée pour la plateforme de 6 pi, mais les traverses de montage sont placées selon les Figures 13 et 14, à peu de chose près.

Pour de l'assistance concernant l'installation ou un aspect technique, composer le 1-888-521-0510

⚠ AVERTISSEMENT :
L'omission d'observer toutes les instructions
peut causer des blessures sévères, voire la mort !

SOMMAIRE

- | | |
|--|-----------|
| 1. DIRECTIVES CONCERNANT LE JUMELAGE DU VÉHICULE ET DE LA CARAVANE | Pgs 2 à 4 |
| 2. INSTRUCTIONS DE MONTAGE | Pgs 5 à 9 |
| 3. CEQUENT PERFORMANCE PRODUCTS, Inc. GARANTIE À VIE LIMITÉE | Pg 10 |

DIRECTIVES CONCERNANT LE JUMELAGE DU VÉHICULE ET DE LA CARAVANE

⚠ AVERTISSEMENT :
L'omission de vérifier et respecter les capacités de charge nominales
peut causer l'endommagement du véhicule ou la séparation du véhicule
et de la caravane pendant le remorquage.

- Le poids de la caravane et de son contenu ne doit pas dépasser les capacités de charge du véhicule, de l'attelage et/ou de la caravane.
- La capacité de charge du véhicule spécifiée par le fabricant doit être égale ou supérieure au poids brut de la caravane (poids à vide de la caravane plus sa charge utile). (Figure 2)
- Le poids brut de la caravane ne doit pas dépasser la capacité de charge nominale de l'attelage à sellette.
- Le poids du pivot d'attelage ne doit pas dépasser la capacité de charge nominale de la sellette (Figure 3).
En cas de doute, faire peser le pivot d'attelage par un technicien spécialisé.

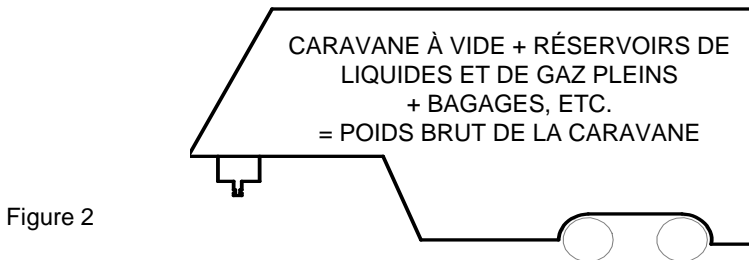


Figure 2

1. Vérifier les capacités de charge :
Capacité de charge du véhicule : _____.
Capacité de charge de l'attelage *REESE® Elite™ Series* : _____.
Poids brut de la caravane (Figure 2) : _____.

*Pour s'assurer de conditions de remorquage sécuritaires, le poids de la caravane ne doit pas dépasser la capacité de charge la plus basse inscrite ci-dessus.

2. Les attelages Cequent Performance Products, Inc. sont conçus pour une utilisation avec caravane à sellette récréative seulement. Toute utilisation de l'attelage qui ne s'applique pas à une caravane récréative à sellette doit être approuvée par écrit par le service d'ingénierie de Cequent Performance Products, Inc.
3. Utiliser seulement un pivot d'attelage de 2 po SAE avec votre attelage à sellette *Elite™ Series*.
4. Environ 15 % à 25 % du poids de la caravane doit reposer sur l'attelage (poids au pivot) (Figure 3).

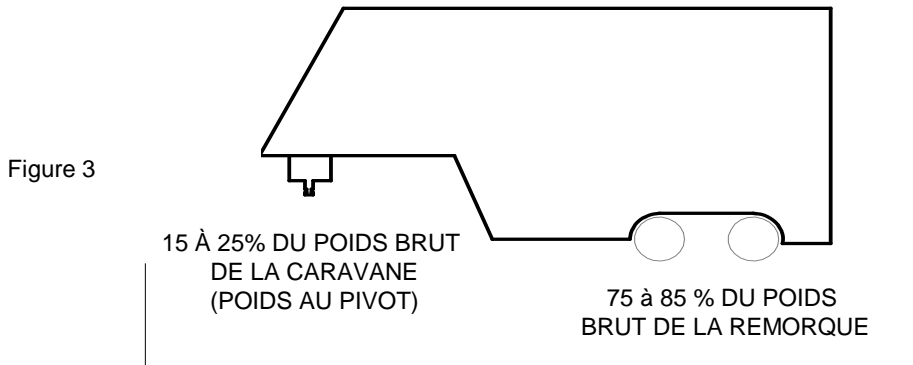
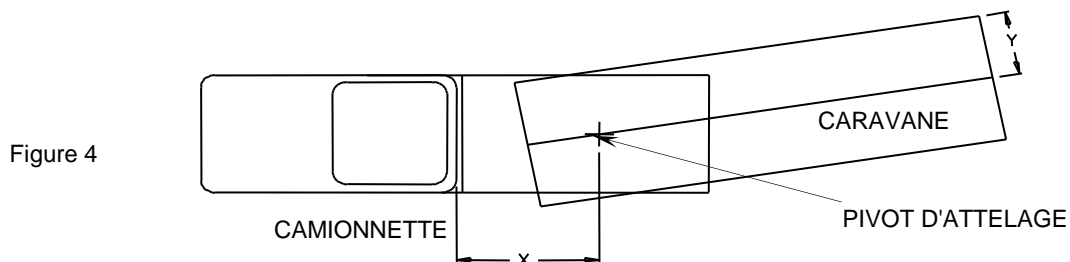


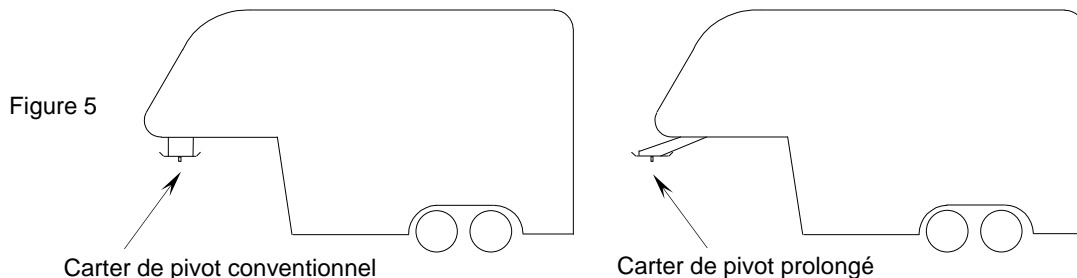
Figure 3

5. Les camionnettes sont fabriquées selon des configurations variées. Les attelages Cequent Performance Products, Inc. sont conçus pour des camionnettes légères, telles que les modèles Ford F-Series, Chevy Silverado et Dodge Ram. Cequent Performance Products, Inc. recommande d'utiliser des camionnettes à plateforme longue (8 pi) pour obtenir le meilleur dégagement véhicule-caravane dans les virages.

Méthode empirique : La distance entre l'arrière de la cabine de la camionnette et le centre de l'essieu arrière de la camionnette ("X" de la Figure 4) doit être supérieure d'environ 4 po à la demi-largeur de la caravane ("Y" de la Figure 4).



6. Si une camionnette à plate-forme courte (inférieure à 8 pi mais supérieure à 6 pi) doit être utilisée pour le remorquage, Cequent Performance Products, Inc. recommande d'équiper la caravane d'un carter de pivot prolongé afin d'augmenter le dégagement camionnette-caravane nécessaire dans les braquages (voir le fabricant de la caravane pour les options) (voir Figure 5). L'ajout d'un curseur (slider) Elite™ Series (pièce #30070) peut s'avérer utile pour augmenter le dégagement de braquage dans les manoeuvres à basse vitesse hors des voies rapides.

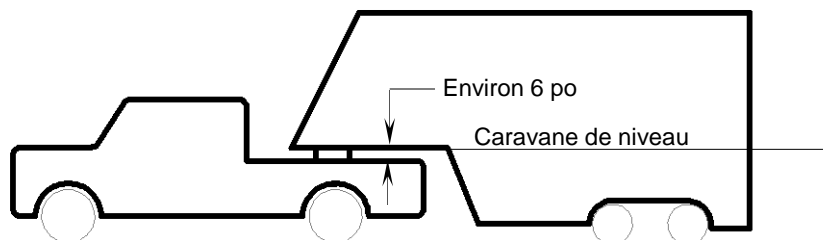


AVERTISSEMENT :

Ne pas installer cet attelage à sellette (ni tenter de remorquer avec celle-ci) sur une camionnette à plateforme courte inférieure à 6 pi à moins que la caravane ne soit équipée d'un carter de pivot Sidewinder™ !

7. La hauteur de l'attelage et du carter de pivot doit être ajustée de façon que la caravane soit à peu près de niveau lors du remorquage. Laisser environ 6 po de dégagement entre le haut des parois de la camionnette et le dessous de l'avant de la caravane en prévision du tangage et du roulis de la caravane. (Figure 6). Laisser un dégagement supplémentaire entre les parois de la camionnette et la caravane dans le cas d'une utilisation hors route.

Figure 6



ATTENTION :

Les mesures ci-dessus apparaissent à titre indicatif. Si vos mesures se rapprochent de ces valeurs, vérifiez les dégagements de nouveau. Si le véhicule et/ou la caravane sont équipés d'accessoires dans la zone de la plateforme (carénage, jupe, effet de sol, traverse de plateforme, etc.), il faut procéder à des mesures et vérifications de dégagement additionnelles.

8. Détermination de la hauteur de l'attelage :

Caravane de niveau et reposant sur un sol plat, mesurer la distance entre le sol et le carter du pivot d'attelage (dimension "A" de la Figure 7). Mesurer ensuite la distance entre le sol et l'intérieur de la plateforme de camionnette (dimension "B" de la Figure 7). Calculer le dégagement au-dessus des longerons de caisse de la camionnette ("C" et "D" à la Figure 7), tel que mentionné à la Note 7.

$$\text{Hauteur de l'attelage} = A - B + 2 \text{ po}$$

La valeur de 2 po est une évaluation de la compression de la suspension causée par le poids du pivot d'attelage de la caravane. Cette compression peut mesurer entre 1 et 5 po selon la camionnette et la caravane utilisées.

$$D - C + 2 \text{ po} > 6 \text{ po, tel qu'à la Note 7.}$$

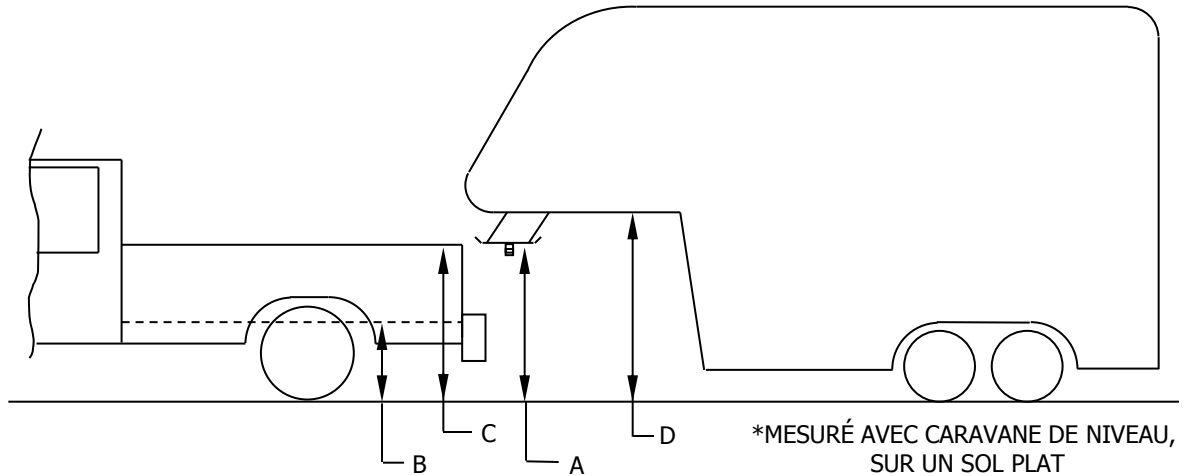


Figure 7

9. Si une plaque lubrifiante doit être utilisée avec la sellette REESE® *Elite™ Series*, son diamètre doit mesurer au moins 12 po. Cequent Performance Products, Inc. offre cette plaque lubrifiante en option (pièce #83001).

⚠ AVERTISSEMENT :

- La connexion pour le câblage de la caravane doit être située sur le côté de la plateforme de la camionnette, entre le siège du conducteur et la roue arrière, afin d'empêcher les opérateurs de travailler entre le véhicule et la caravane.
- Éviter de placer une partie du corps sous la caravane ou entre la camionnette et la caravane. Un mouvement imprévu ou accidentel de la camionnette ou de la caravane peut causer des blessures sévères, voire la mort.
- Si l'on place une partie du corps sous la caravane ou entre le véhicule et la caravane, il **FAUT** exécuter **TOUTES** les étapes suivantes :
 - S'assurer que la transmission de la camionnette est en position de stationnement.
 - S'assurer que le frein de secours est appliqué.
 - Placer des cales à l'avant et l'arrière des pneus de la caravane.
 - S'assurer que la béquille de la caravane repose sur un sol ferme.

INSTRUCTIONS GÉNÉRALES POUR L'INSTALLATION DE LA SELLETTE

OUTILS

Douille et/ou clé ouverte 1-1/8 po

Douille 18 mm

Douille hex. 3/8 po

Clé ouverte et douille 15/16 po

Clé dynamométrique 200 lb-pi

Scie-cloche 3-1/4 po OU emporte-pièce Greenlee 3-1/4 po

MISE EN GARDE !

Lire attentivement les pages 2 à 4 de ces instructions avant de commencer l'installation. Le défaut d'observer ce conseil peut causer des dommages importants au véhicule !

1. Les instructions suivantes doivent être suivies pour le montage de la sellette. Un travail soigné et une attention aux détails procurera une installation rapide de qualité. Comparez les pièces avec celles qui sont énumérées dans la liste pour vous familiariser avec les éléments du montage. (Figure 1)
2. Soulevez l'arrière de la camionnette à une hauteur suffisante pour placer les vérins sous le support de la main de ressort arrière de la camionnette. Vous disposerez ainsi du maximum d'espace pour installer les supports de sellette.

⚠ AVERTISSEMENT :

Si la camionnette est soulevée, assurez-vous qu'elle est adéquatement bloquée et retenue pour prévenir sa chute. L'omission de procéder ainsi peut entraîner la chute de la camionnette et causer des blessures sévères, voire la mort.

3. La doublure de caisse amovible en plastique doit être découpée pour libérer l'accès. Retirer la doublure de caisse en plastique s'il y a lieu. Les doublures de caisse à vaporiser et les tapis de caisse inférieurs à 1/4 po d'épaisseur sont compatibles avec les instructions d'installation standard. Nota : Consulter l'installateur pour connaître le temps de durcissement recommandé des doublures à vaporiser avant de percer des trous dans le plancher de caisse.

ATTENTION :

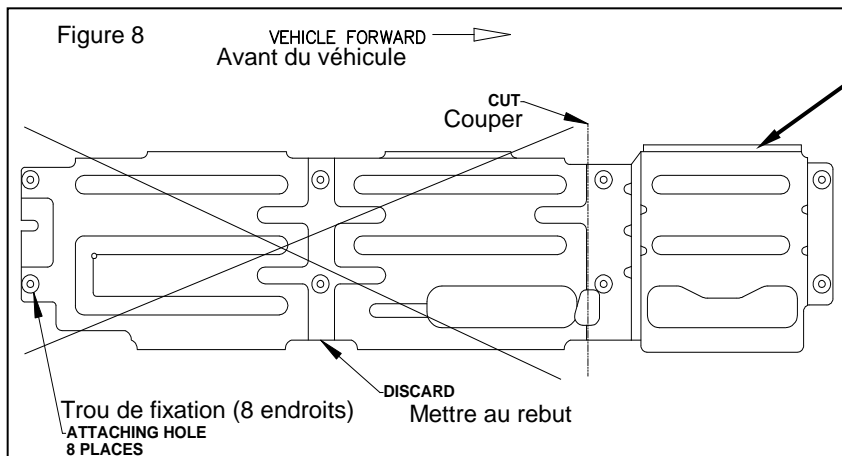
Assurez-vous qu'il n'y a pas d'obstacles avant de percer. L'omission d'observer ce conseil peut causer l'endommagement des conduites de carburant ou de frein, des éléments structuraux, etc. CEQUENT PERFORMANCE PRODUCTS, Inc. fait de son mieux pour communiquer les modifications des constructeurs des véhicules de remorquage; cependant, il est ultimement de la responsabilité de l'installateur de prévenir les dommages associés à l'installation.

4. Utiliser seulement les boulons, écrous et rondelles fournis par CEQUENT PERFORMANCE PRODUCTS, Inc. pour installer ce produit. Tous les boulons et les écrous sont de grade 8 sauf indication contraire.
5. Ces instructions sont destinées à un groupe particulier de camionnettes. Chaque support de cadre doit être boulonné au cadre du véhicule à l'aide de deux boulons.

ATTENTION :

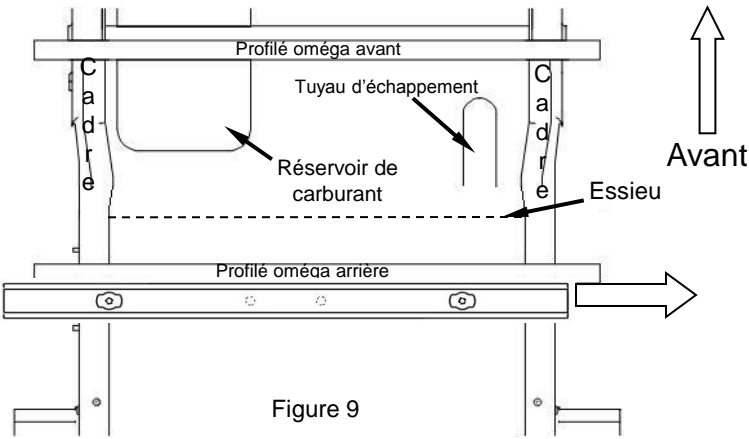
Ces instructions servent à vous guider seulement. L'installation relève de la responsabilité de l'installateur et du propriétaire. Mesurez toujours la camionnette et la remorque avant d'installer l'attelage pour vous assurer que le dégagement à la cabine et au pare-chocs est suffisant pour permettre les virages.

6. Découper l'écran thermique arrière, comme illustré à la Figure 8. Réinstaller l'écran thermique une fois le nécessaire de montage en place.

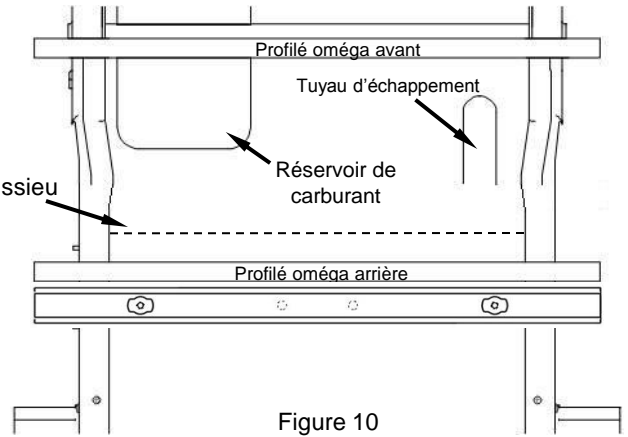


CETTE PIÈCE DOIT ÊTRE RÉINSTALLÉE.

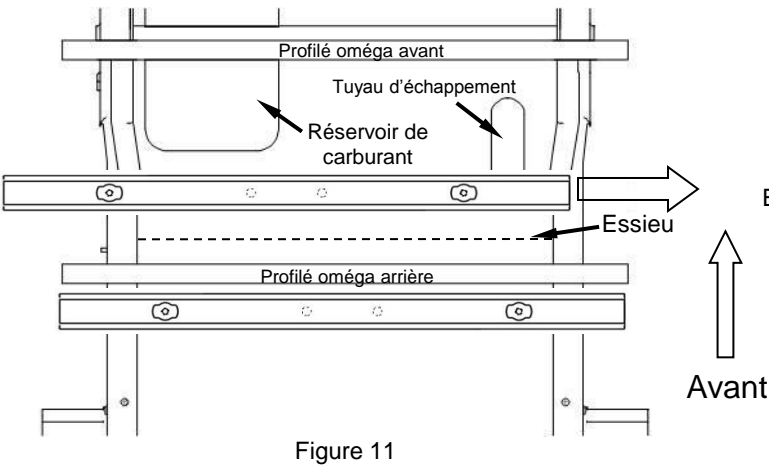
7. À l'aide d'une douille 18 mm, enlever les boulons de plateforme côté passager, et desserrer tous les boulons de plateforme côté conducteur. Puis soulever et supporter la plateforme. Si un seul côté nécessite d'être soulevé, choisir préférentiellement le côté passager.
8. Insérer les traverses de montage comme illustré dans les étapes suivantes (Figures 9 à 14). Insérer d'abord la traverse arrière, côté plat vers le haut. Insérer ensuite la traverse avant, côté plat vers le haut. Resserrer les boulons de plateforme une fois les traverses insérées.



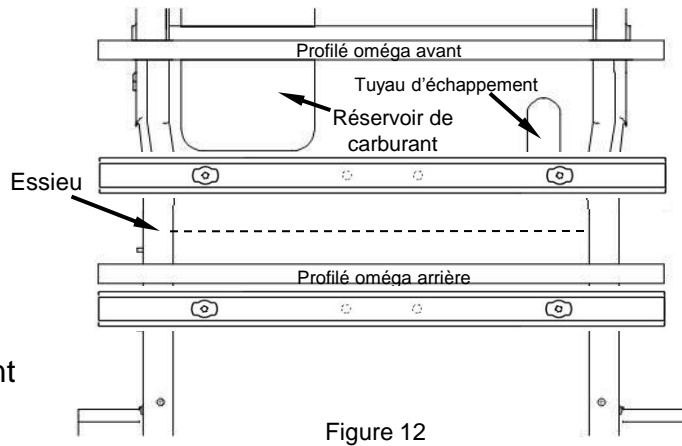
Étape 1 : Faire glisser une traverse derrière le profilé oméga situé au-dessus de l'essieu. Soulever et placer la traverse de façon qu'elle repose sur le cadre.



Étape 2 : Placer la traverse à proximité du profilé oméga arrière comme illustré, de façon qu'elle repose sur les deux côtés du cadre.

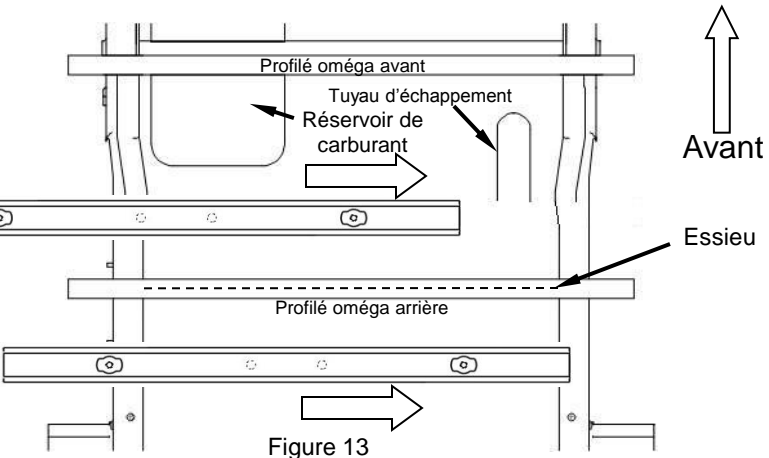


Étape 3 : Faire glisser la traverse avant au-dessus du cadre, comme illustré.

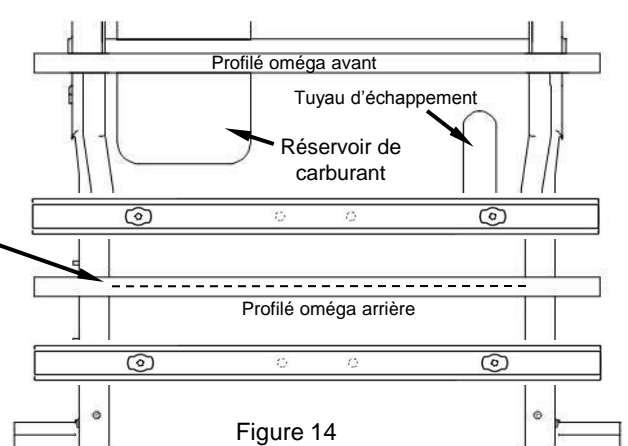


Étape 4 : Placer la traverse approximativement comme illustré, de façon qu'elle repose sur les deux côtés du cadre.

Nota : Les Figures 13 et 14 concernent la plateforme de 6 pi.

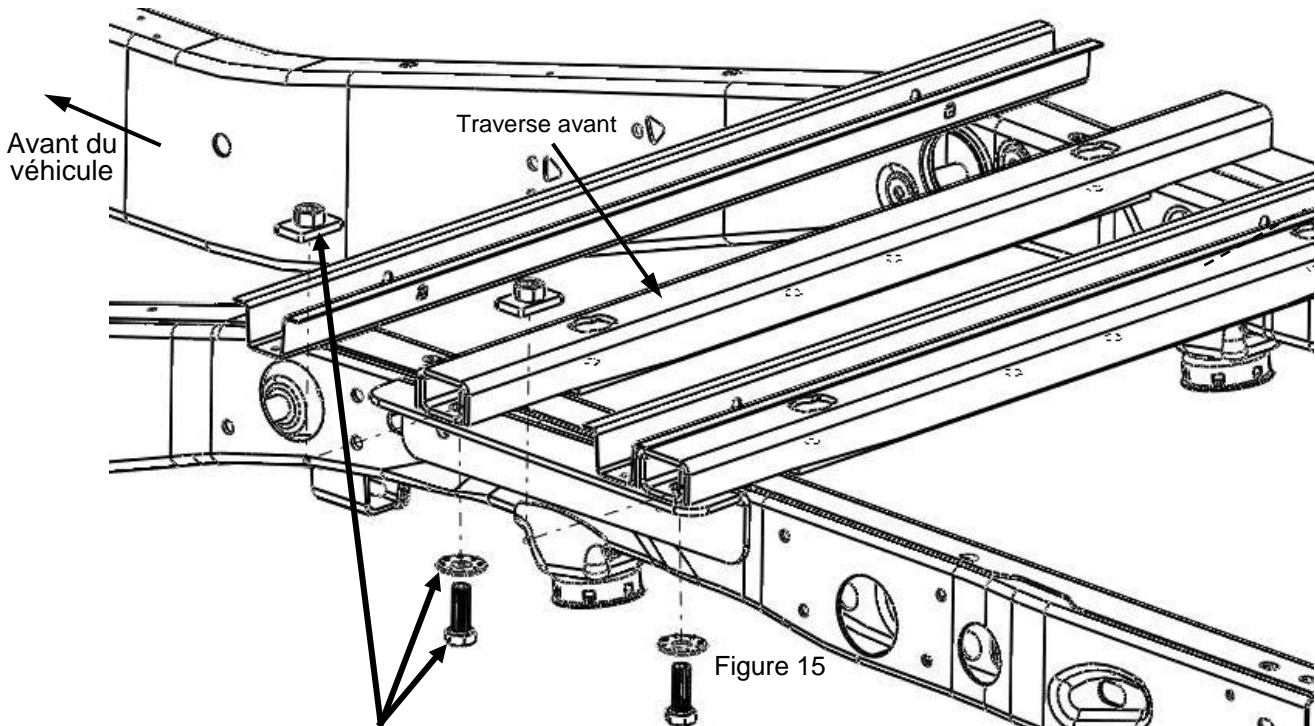


Étape 1 : Soulever et faire pivoter les traverses au-dessus de l'échappement et vers le profil oméga.



Étape 2 : Faire glisser les traverses de façon qu'elles reposent sur les deux côtés du cadre, comme illustré.

Sans trop serrer, fixer les supports de cadre aux traverses à l'aide de boulons hex. 3/4 x 2 po, de rondelles coniques 3/4 po, et d'écrous à souder/d'espaceurs. (Figures 15 et 16)



- Boulon hex. 3/4" x 2" (4 endroits)
- Rondelle conique 3/4" (4 endroits)
- Écrou à souder/Espaceur (4 endroits)

NOTA : Les supports latéraux doivent être orientés de façon que le bord anguleux soit parallèle au dessus du cadre de camionnette.
(Les plus grandes fentes seront sur les dessus.)

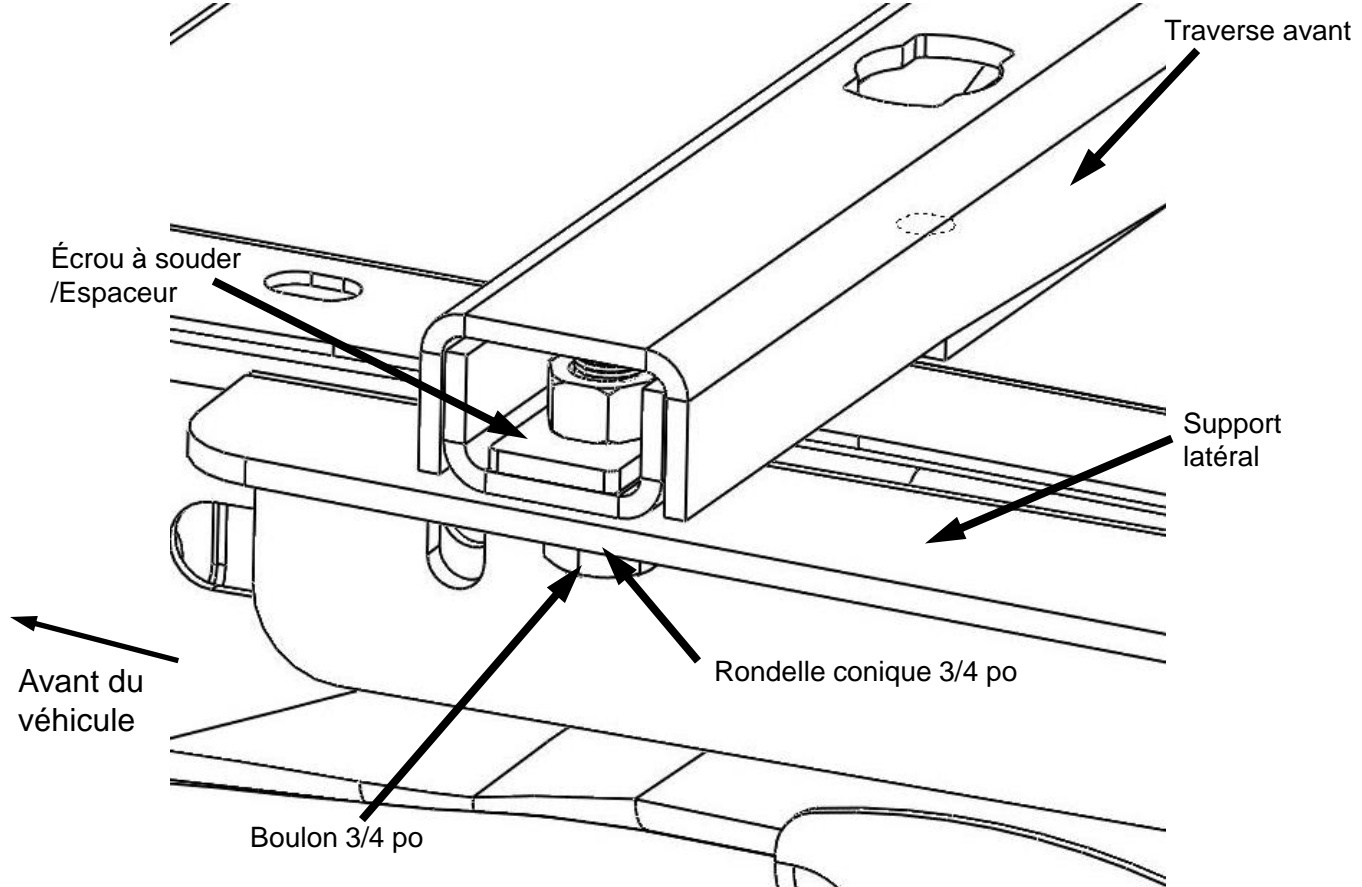


Figure 16

11. En serrant d'abord la visserie à la main, fixer les supports de cadre à l'aide de boulons de carrosserie 5/8 x 2 po, de rondelles coniques 5/8 po, d'espateurs et d'écrous 5/8 po (Figure 17 et 18). Enfiler l'espaceur sur le boulon de carrosserie et visser ce dernier dans le réceptacle du fil de tirage. Acheminer le fil de tirage à travers le châssis (par le trou d'accès, comme illustré) de façon à positionner le boulon et l'espaceur dans les trous de montage. Sans trop serrer, poser les rondelles coniques et les écrous depuis l'extérieur du longeron de châssis.

Les boulons de carrosserie 5/8 po se posent ici à l'aide du fil de tirage, par le trou d'accès.

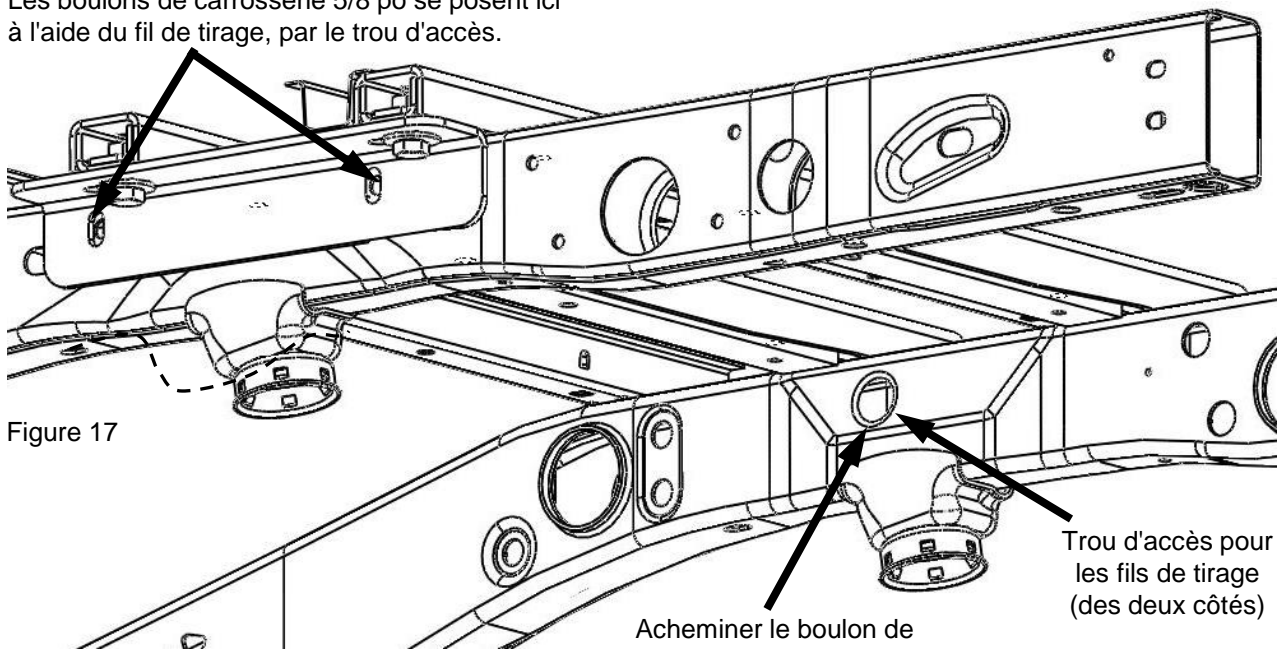


Figure 17

Trou d'accès pour les fils de tirage (des deux côtés)

Acheminer le boulon de carrosserie 5/8 po et l'espaceur ici par l'orifice du châssis.

Écrou 5/8 po (4 endroits)
Rondelle conique 5/8 po (4 endroits)

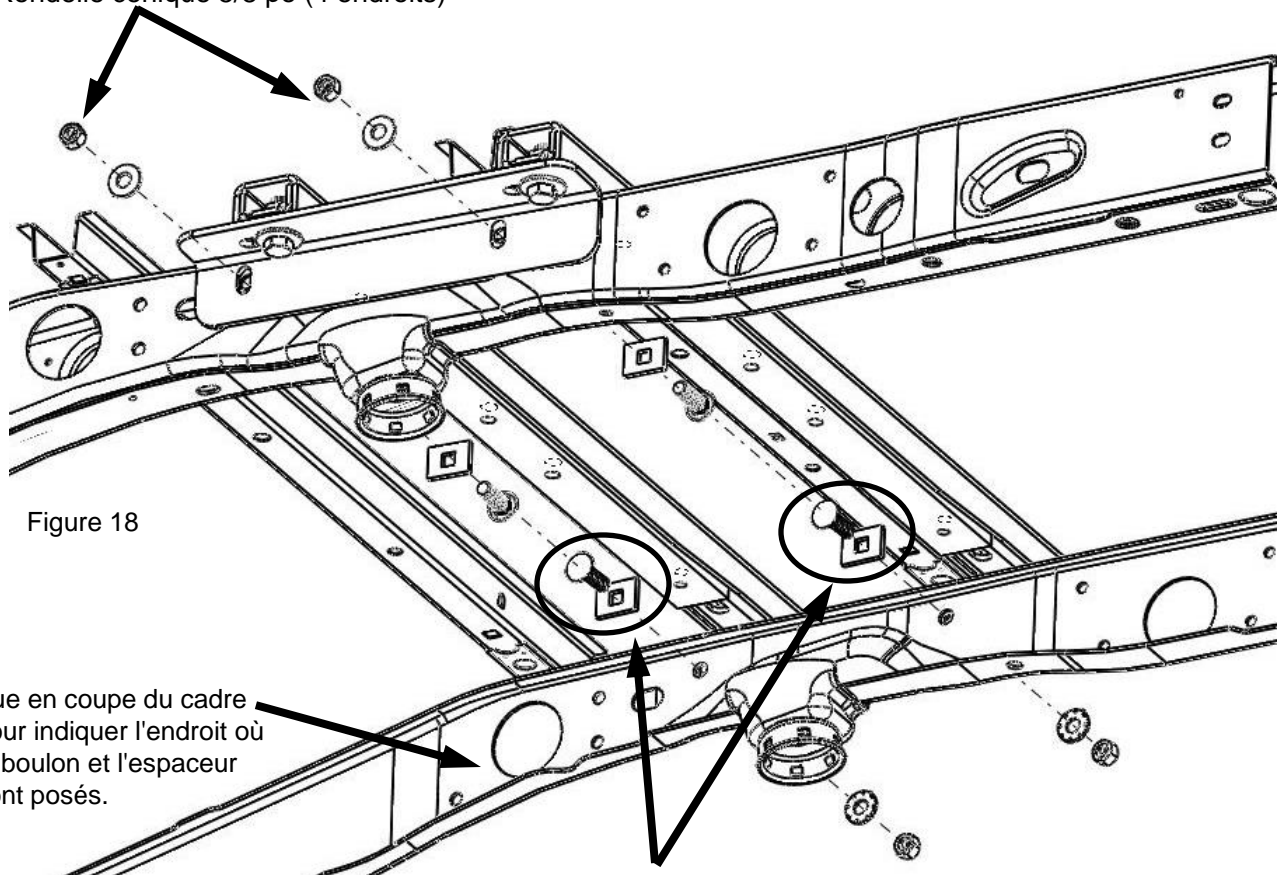


Figure 18

Vue en coupe du cadre pour indiquer l'endroit où le boulon et l'espaceur sont posés.

Placer un boulon de carrosserie 5/8 po et un espaceur sur un fil de tirage (4 endroits).

12. À partir du bord de la tôle ondulée de la plateforme, mesurer l'emplacement des orifices qui devront être découpés - Figure 20 (plateforme longue) ou Figure 21 (plateforme courte). Si une doublure de caisse amovible en plastique est utilisée, découper dans celle-ci des fentes 19 x 4 po en mesurant à partir du centre des trous de la plateforme. Si l'on utilise une sellette montée sur curseurs (sliders) *RESESE® Elite™ Series*, voir les instructions de montage qui s'y rapportent pour connaître les dimensions des fentes à découper.

Figure 20 – Plateforme longue (8 pi)

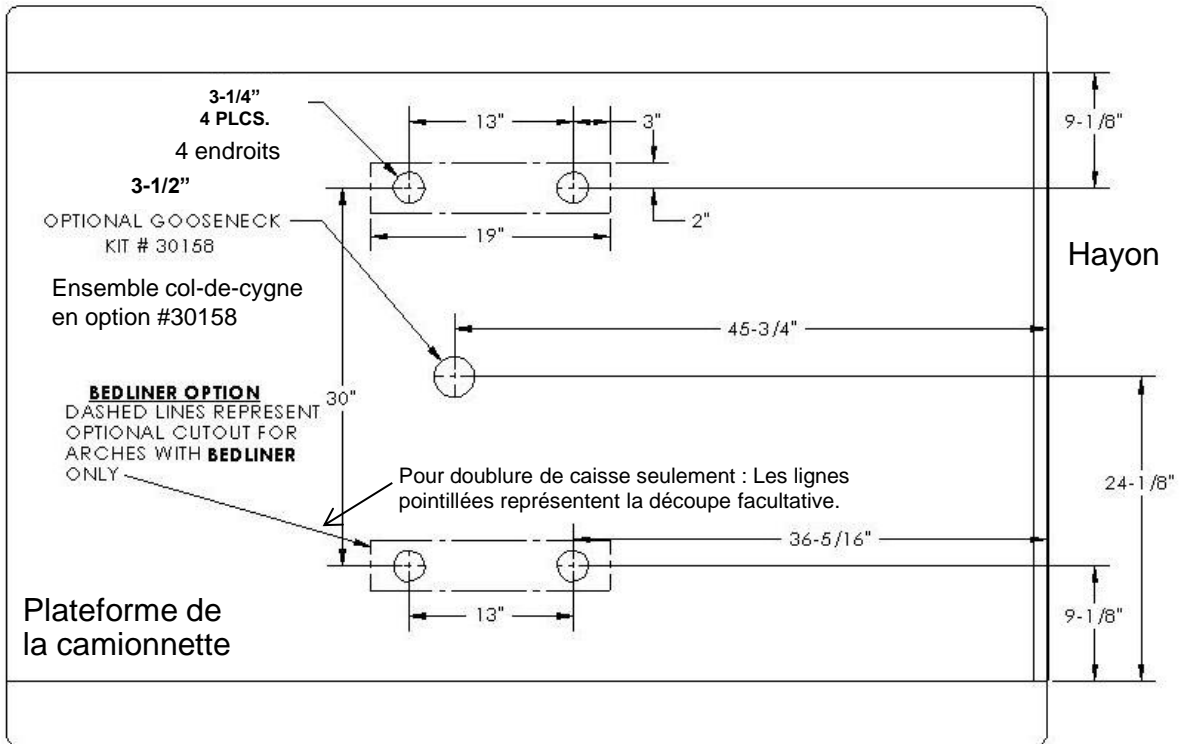
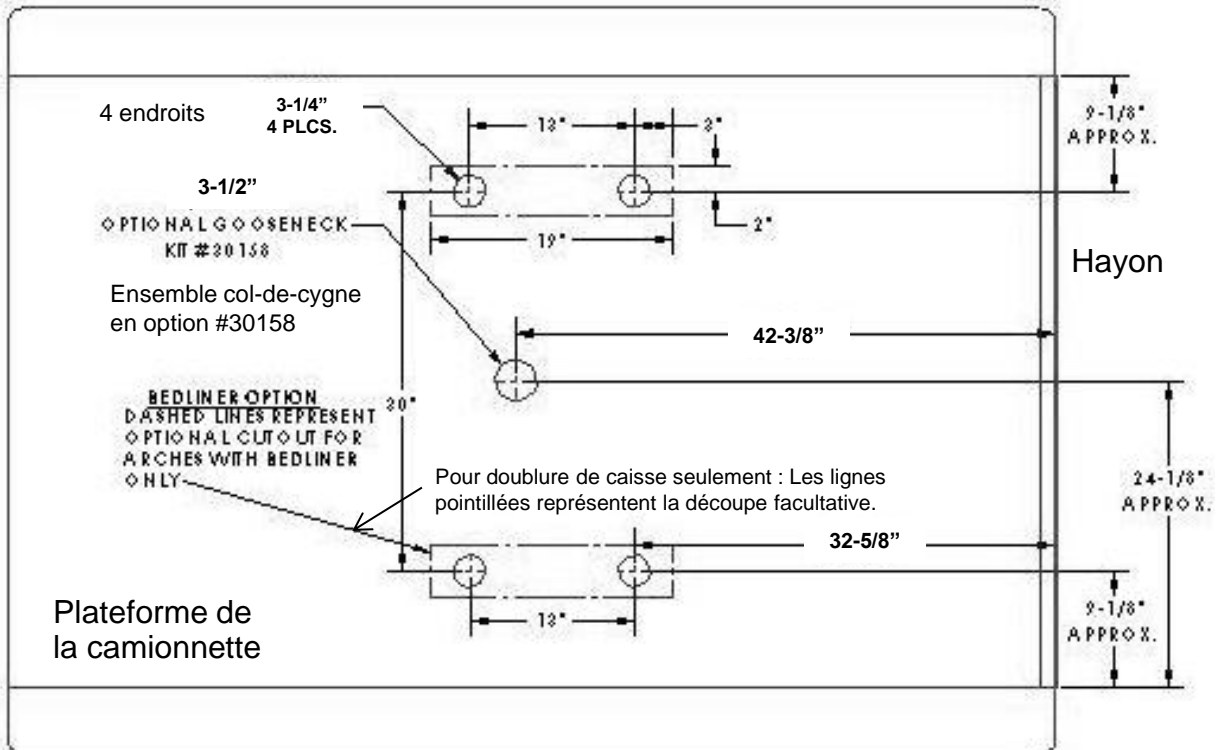


Figure 21 – Plateforme courte (6 pi)

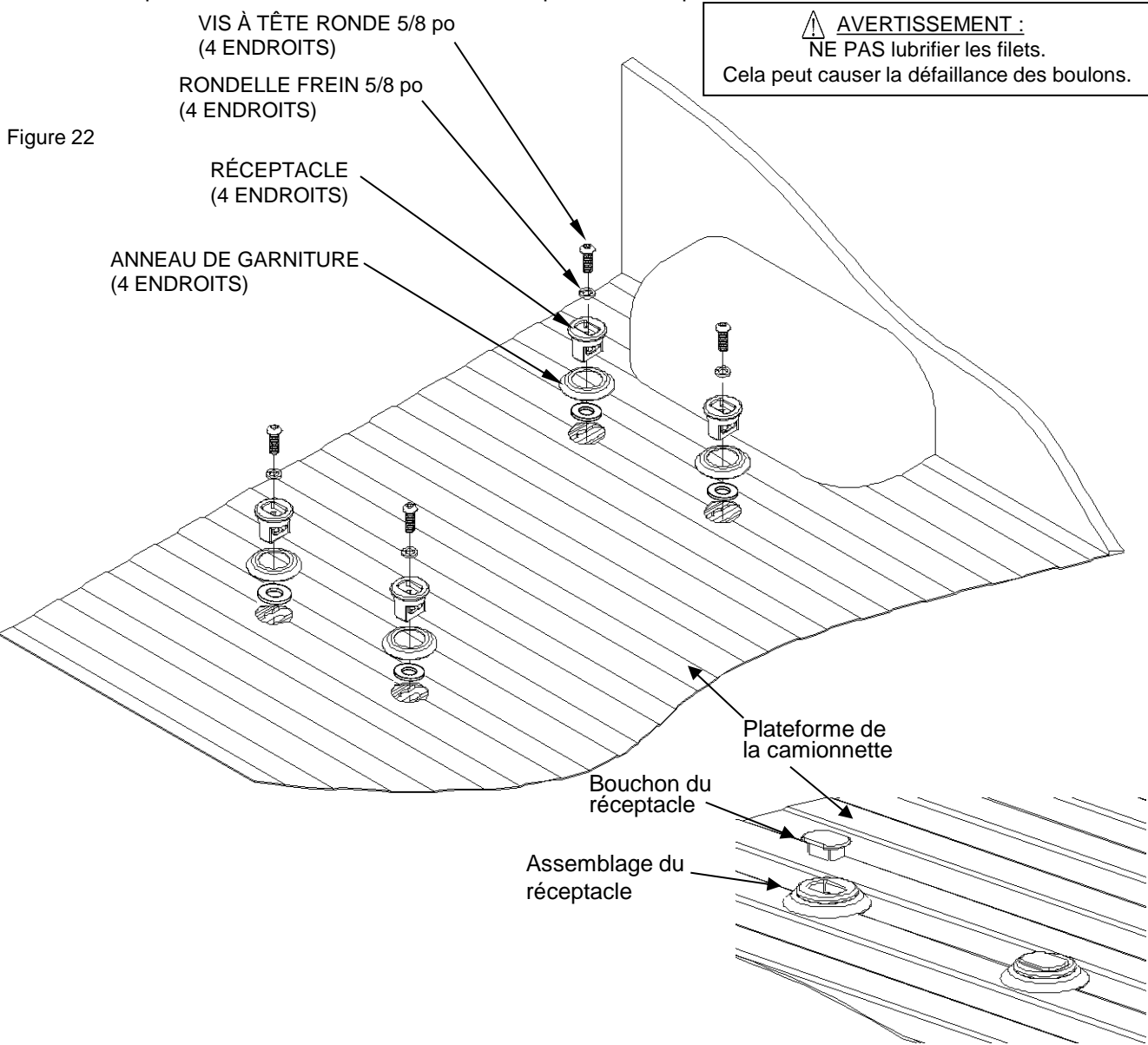


13. Enlever les boulons 5/8 x 2 po qui fixent les supports de cadre aux traverses de montage. Déplacer les traverses vers l'arrière ou l'avant pour ne pas gêner le perçage ou le poinçonnage des trous dans la plateforme.

ATTENTION :

Assurez-vous qu'il n'y a pas d'obstacles avant de percer. L'omission d'observer ce conseil peut causer l'endommagement des conduites de carburant ou de frein, des éléments structuraux, etc. CEQUENT PERFORMANCE PRODUCTS, Inc. fait de son mieux pour communiquer les modifications des constructeurs des véhicules de remorquage; cependant, il est ultimement de la responsabilité de l'installateur de prévenir les dommages associés à l'installation.

14. Percer un trou de guidage dans la plateforme selon les mesures indiquées. À l'aide d'une scie-cloche ou d'un emporte-pièce, découper un trou de 2-3/4 po. La doublure de caisse en plastique devra être retirée avant le perçage ou le poinçonnage. La doublure sera découpée selon l'instruction générale #3 de la page 5. Facultatif : Vaporiser sous le revêtement autour des trous de 2 3/4 po afin de prévenir la corrosion.
15. Sans trop serrer, re-fixez les traverses aux supports de cadre.
16. Sur la plateforme, poser les réceptacles et les anneaux de garniture sur les traverses (Figure 22) à l'aide de vis à tête ronde 5/8 po et de rondelles freins. Serrer au couple de 100 lb-pi.



17. Insérer les bouchons dans les réceptacles (comme illustré) lorsque ces derniers ne servent pas. (Figure 23)
18. Installer la sellette REESE® Elite™ Series en observant les instructions de montage de l'attelage.
19. Serrer les boulons d'attelage selon les instructions de l'attelage.
20. Serrer tous les boulons hexagonaux 5/8 po des traverses au couple de 170 lb-pi et les boulons hex. 3/4 po au couple de 260 lb-pi.
21. Remettre en place toute conduite de frein ou pneu de secours qui a été enlevé ou déplacé.

REMARQUES

GARANTIE À VIE LIMITÉE

Cequent Performance Products Inc. ("nous") garantit la série Elite 5ème roue attelage Kits de montage à l'acquéreur initial uniquement ("Vous") que le produit sera exempt de défauts de matériau dans les deux matériaux et de fabrication, usure ordinaire prévu ; à condition que l'installation et l'utilisation du produit est conforme aux instructions du produit. Il n'existe aucune autre garantie, expresse ou implicite, y compris la garantie de qualité marchande ou d'adéquation à un usage particulier. Cette garantie n'est pas transférable.

Cette garantie ne couvre pas : (a) et à l'usure normale du produit; (b) dommages causés par l'abus, la négligence, l'abus, ou à la suite de tout accident ou de toute autre manière; (c) les dommages d'un usage impropre, à une surcharge ou une mauvaise installation; (d) un mauvais entretien et la réparation; et (e) altération du produit de quelque manière que ce soit par quelqu'un d'autre que nous, à la seule exception de modifications apportées conformément aux instructions du produit et d'une manière professionnelle.

Pour faire une réclamation de garantie, contactez-nous à notre adresse principale de 47912 drisse Dr. Suite 100, Plymouth, MI 48170, 1-800 -521-0510, identifier le produit par numéro de modèle, et suivez les instructions de réclamation qui sera fourni. Tout produit retourné c'est remplacé par Us devient notre propriété. Vous serez responsable des frais de réexpédition. Veuillez conserver votre preuve d'achat pour vérifier date d'achat et que vous êtes l'acquéreur initial. Le produit et la réception d'achat doivent nous être fournis afin de traiter votre demande de garantie.

Produit de remplacement est votre unique recours en vertu de cette garantie. Nous ne saurait être tenu responsable de service ou travail frais engagés en retrait ou remplacement d'un produit ou de tout dommages accessoires ou indirects de tout genre.

Vous reconnaissez et acceptez que toute utilisation du produit à des fins autres que l'usage spécifié(s) indiqué dans les instructions d'installation et d'utilisation du produit est à vos propres risques.

Cette garantie vous donne des droits juridiques spécifiques et vous pouvez également avoir d'autres droits qui varient d'un état à l'autre. Cette garantie est régie par les lois de l'État du Michigan, sans égard aux règles relatives aux conflits de lois. Les tribunaux d'état situé à Oakland County, dans le Michigan a compétence exclusive pour les litiges relatifs à la présente garantie.

Cequent Performance Products, Inc.
47912 Halyard Dr. Suite 100
Plymouth, MI. 48170

INSTRUCCIONES DE INSTALACIÓN

KIT DE MONTAJE

GENERAL MOTORS 2011 Y POSTERIOR

NÚMERO DE
PARTE
30868

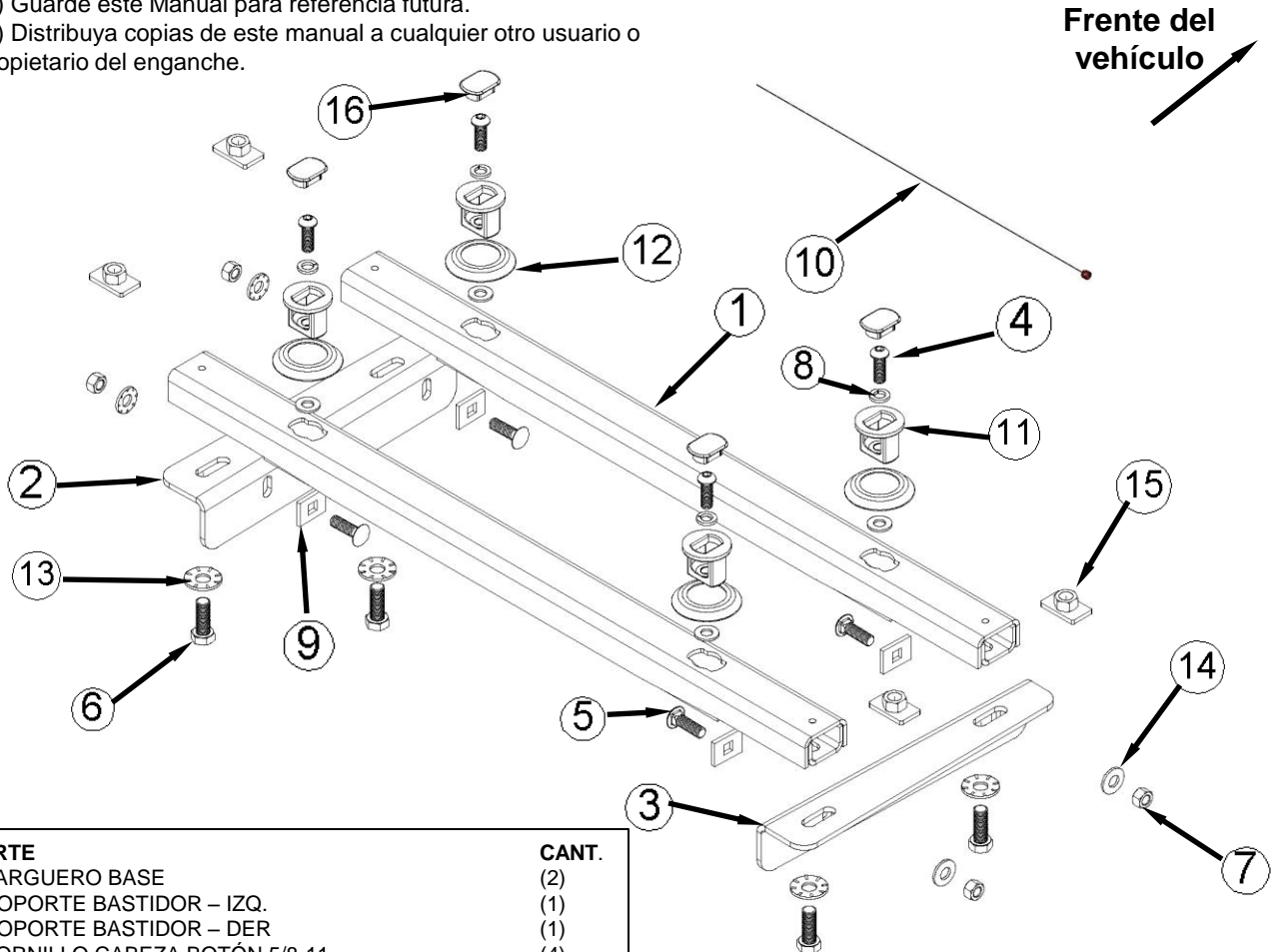
Chevrolet Silverado/GMC Sierra
2500HD Y 3500HD

CONCESIONARIO/INSTALADOR:

- (1) Lea todas las instrucciones antes de la instalación
- (2) Entregue este manual al usuario final.

USUARIO FINAL:

- (1) Guarde este Manual para referencia futura.
- (2) Distribuya copias de este manual a cualquier otro usuario o propietario del enganche.



PARTE	CANT.
1 LARGUERO BASE	(2)
2 SOPORTE BASTIDOR – IZQ.	(1)
3 SOPORTE BASTIDOR – DER	(1)
4 TORNILLO CABEZA BOTÓN 5/8-11	(4)
5 PERNO CARRUAJE 2" 5/8-11 GRADO 8	(4)
6 PERNO HEXAGONAL 2" 3/4-10 GRADO 8	(4)
7 TUERCA 5/8-11 GRADO 8	(4)
8 ARANDELA DE BLOQUEO 5/8	(4)
9 ESPACIADOR (ORIFICIO CUADRADO)	(4)
10 CABLE DE HALAR	(2)
11 DISCO	(4)
12 ARO DECORATIVO	(4)
13 ARANDELA CÓNICA 3/4"	(4)
14 ARANDELA CÓNICA 5/8"	(4)
15 ENSAMBLE DE TUERCA/ESPACIADOR	(4)
16 TAPÓN DE DISCO	(4)

Nota: Se muestran fotografías del chasis con base de 8' de GMC/Chevrolet 2500/3500 a través de estas instrucciones.

La base de 6' tendrá un canal de perfil directamente por encima del eje posterior. El mismo proceso de instalación se usará para la base de 6' pero los largueros se colocarán aproximadamente como se muestra en las figuras 13 y 14.

Para asistencia con la instalación o para ayuda técnica, llame al 1-888-521-0510

⚠ ADVERTENCIA:

¡No seguir estas instrucciones puede resultar en la muerte o en lesiones serias!

ÍNDICE

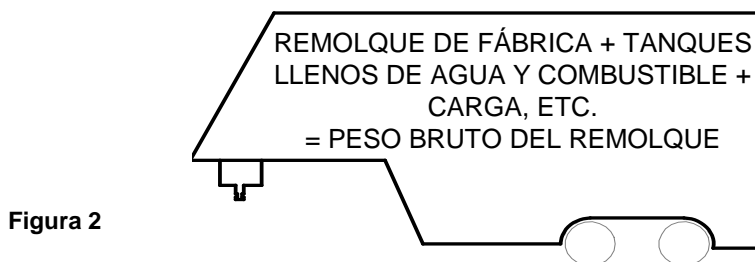
1. PAUTAS PARA AJUSTAR EL VEHÍCULO DE REMOLQUE Y EL REMOLQUE P. 2-4
2. INSTRUCCIONES DE ENSAMBLE P. 5-9
3. GARANTÍA LIMITADA DE POR VIDA DE CEQUENT PERFORMANCE PRODUCTS, INC. P. 10

PAUTAS PARA AJUSTAR EL CAMIÓN DE ENGANCHE Y EL REMOLQUE

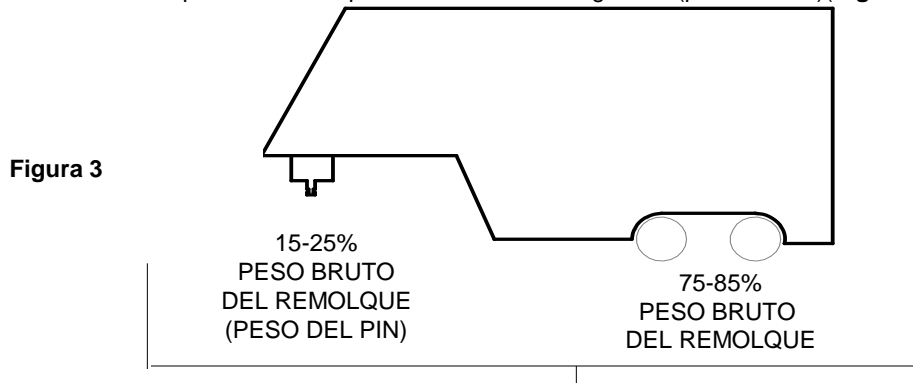
⚠ ADVERTENCIA:

No revisar o seguir las calificaciones de remolque podría resultar en daño al vehículo de remolque o la separación del vehículo y remolque durante el desplazamiento.

- El remolque y su contenido combinados no deben exceder las calificaciones del vehículo, enganche y/o remolque.
- El vehículo de remolque debe tener una capacidad de remolque establecida por el fabricante que sea igual o superior al peso bruto del remolque (peso seco del remolque más la carga útil del remolque). (Figura 2)
- El peso bruto del remolque no debe superar la calificación del enganche de quinta rueda.
- El peso del king pin no debe superar la calificación de la quinta rueda (Figura 3). Si tiene dudas haga que un técnico calificado pese el king pin.

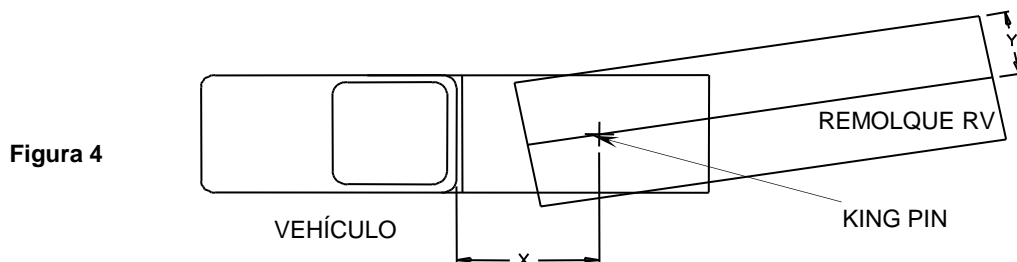


1. Revise las calificaciones del remolque:
Calificación del remolque del vehículo:
Calificación del enganche *REESE® Elite™ Series* : _____
Peso bruto del remolque (Figura 2): _____
***El peso del remolque debe ser el inferior de estas calificaciones registradas para unas condiciones seguras.**
2. Los enganches de Cequent Performance Products, Inc. están diseñados para uso con remolques de recreación de quinta rueda únicamente. Las aplicaciones de enganche diferentes a los remolques con quinta rueda recreacional deben ser aprobadas por escrito por el departamento de Ingeniería de Cequent Performance Products, Inc.
3. Use únicamente un king pin SAE de 2 pulgadas con su Enganche de Quinta Rueda *REESE® Elite™ Series*
4. Aproximadamente 15%-25% del peso del remolque debe estar en el enganche (peso del Pin)(Figura 3).

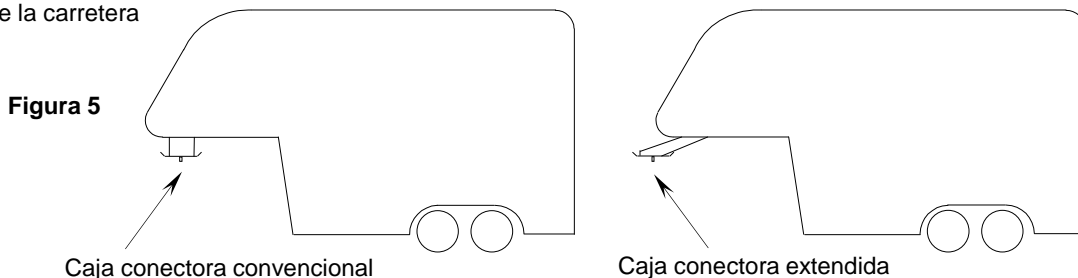


5. Los vehículos vienen en muchas configuraciones diferentes. Los enganches Cequent Performance Products, Inc. están diseñados para uso en vehículos livianos como la serie Ford F, los Chevy Silverado y los Dodge Ram. Cequent Performance Products, Inc. recomienda el uso de vehículos livianos con bases largas de 8 pies para la mejor combinación en el despeje de giros de vehículo - remolque.

Regla de oro: La distancia desde la parte posterior de la cabina del vehículo hasta el centro del eje del vehículo posterior ("X" en la **Figura 4**), debería ser aproximadamente 4 pulgadas mayor que la mitad del ancho del remolque (Y" en la **Figura 4**)



6. Si se va a usar un vehículo pickup de base corta (inferior a 8' pero más de 6') para remolcar, Cequent Performance Products, Inc. recomienda que el remolque esté equipado con una caja conectora extendida para ayudar a ganar distancia de despeje adicional para giros entre el vehículo y el remolque (Consulte las opciones del fabricante) (**Figura 5**). También puede ser útil agregar un deslizador *REFESE® Elite™ Series* (**Parte No. 30070**) para mayor despeje de giros para maniobras de baja velocidad fuera de la carretera

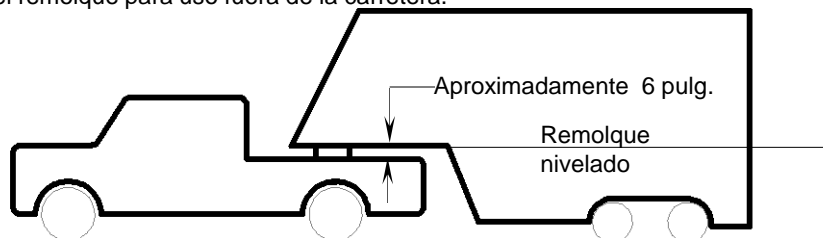


ADVERTENCIA:

¡No instale este enganche de quinta rueda ni intente remolcar con un vehículo tipo pickup de base corta inferior a 6 pies, a menos que el remolque esté equipado con una caja conectora Sidewinder™!

7. La altura del enganche y de la caja de conectores se debe ajustar de manera que el remolque esté nivelado aproximadamente a medida que se remolca. Permita aproximadamente 6 pulgadas de despeje entre la parte superior de las paredes del vehículo y la parte inferior del frente del remolque para el cabeceo y rollido del remolque. (**Figura 6**) Permita más despeje entre las paredes de la camioneta y el remolque para uso fuera de la carretera.

Figura 6



PRECAUCIÓN:

Las medidas anteriores son pautas. Si sus medidas están cercanas a estos números, vuelva a revisar los despejes. Si el vehículo y/o el remolque tiene cualquier accesorio agregado cerca a la base (por ejemplo protectores de faros, desviadores de aire, efectos en el piso, largueros base, celdas de combustible, caja de herramientas, etc.), se deben hacer revisiones adicionales de despeje y dimensionamiento..

8. Determinación de la altura del enganche:

Con el remolque nivelado y sobre terreno plano mida desde el piso hasta la caja del king pin ("A" en la **Figura 7**). Luego, mida desde la altura del interior de la base del vehículo ("B" en la Figura 7). Determine la cantidad de despeje sobre los largueros laterales ("C" y "D" en la **Figura 7**), como se mencionó en la **Nota 7**.

$$\text{Altura del enganche} = A - B + 2''$$

El valor de 2" es un estimado de la compresión de suspensión debido al peso del king pin del remolque. Esta compresión podría oscilar entre 1"-5" dependiendo del vehículo y remolque que se usen.

$$D - C + 2'' > 6'' \text{ como en la Nota 7.}$$

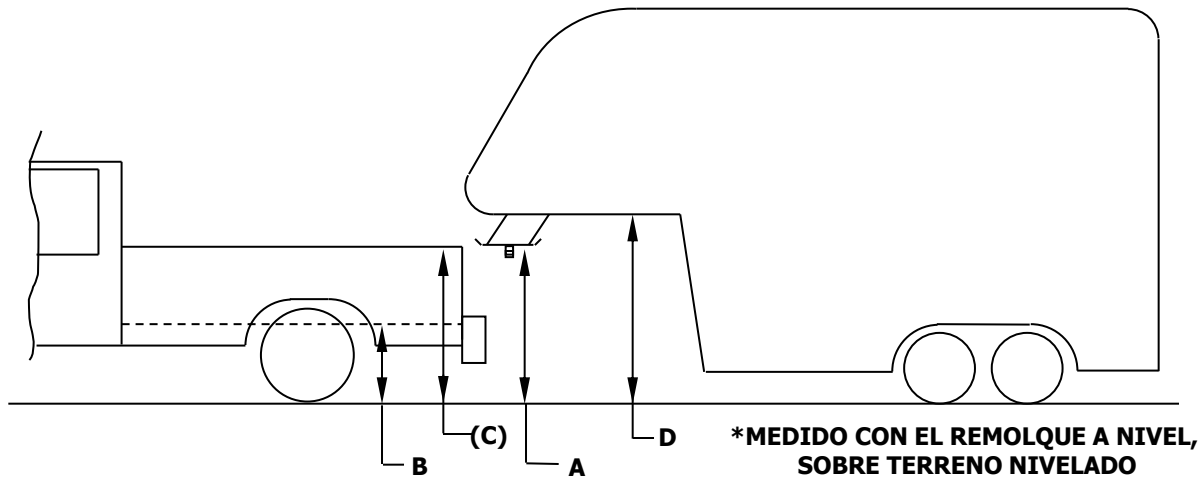


Figura 7

9. Si se va a usar una placa de lubricación con una Quinta Rueda Serie REESE® Elite™ debe tener al menos 12" de diámetro. Cequent Performance Products, Inc. ofrece esta placa de lubricación opcional como parte No. 83001.

⚠ ADVERTENCIA:

•La conexión del cableado del remolque debe localizarse en el costado de la base del vehículo entre el asiento del conductor y la rueda posterior para evitar que los operadores trabajen entre el vehículo y el remolque.

•Evite colocar cualquier parte de su cuerpo debajo del remolque o entre el vehículo y el remolque. El movimiento no esperado o accidental del vehículo o el remolque puede causar lesiones serias o muerte.

•Si debe colocar cualquier parte de su cuerpo debajo del remolque o entre el vehículo y el remolque, usted **DEBE** realizar **TODOS** los pasos siguientes:

- Revise que la transmisión del vehículo esté en posición de estacionamiento
- Revise que el freno de emergencia esté activado
- Coloque bloques al frente y detrás de todas las llantas del remolque
- Revise que el tren de apoyo del remolque esté apoyado en terreno firme

INSTRUCCIONES GENERALES PARA LA INSTALACIÓN DE LA QUINTA RUEDA

HERRAMIENTAS

Llave abierta y de tubo 1/8"

Llave de tubo 18mm

Llave hexagonal 3/8"

Llave abierta y de tubo 15/16"

Llave a torsión de 200 lb-pies

Sierra de copa 3-1/4" O Perforador Greenlee 3-1/4"

¡PRECAUCIÓN!

Lea las páginas 2-4 de estas instrucciones antes de empezar la instalación. **¡No hacerlo podría resultar en daños significativos al vehículo!**

1. Las siguientes instrucciones se deberán usar para instalar el kit de montaje de quinta rueda. La atención a los detalles garantizará una instalación rápida de calidad. Revise las partes contra la lista para familiarizarse con las partes del kit. **(Figura 1)**
2. Levante la parte posterior del vehículo lo suficiente para permitir que las bases del gato se coloquen debajo del soporte colgante posterior de resorte del vehículo. Esto permitirá espacio máximo para instalar los soportes de la quinta rueda.



ADVERTENCIA:

Si el vehículo se levanta, verifique que el vehículo esté correctamente bloqueado y restringido para evitar que se caiga. No hacerlo podría resultar en la caída repentina del vehículo, y causar la muerte o lesiones serias.

3. Los forros plásticos de aplicación directa se deben recortar para despejar el camino. **Retire el forro plástico de la base si corresponde.** Los forros y alfombras de la base de aplicación con spray de menos de 1/4" de espesor funcionarán según las instrucciones normales de instalación. Nota: Consulte con el instalador los tiempos de curado recomendados para los forros aplicados con spray antes de recortar los orificios a través de la base.

PRECAUCIÓN:

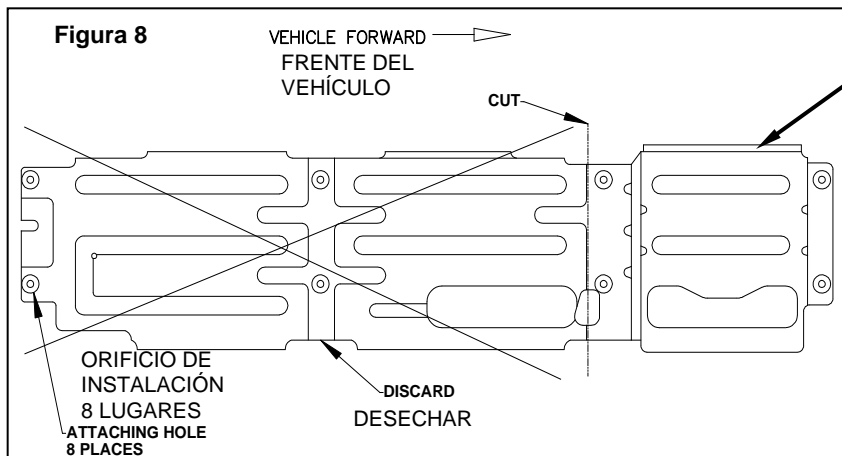
Revise en busca de obstrucciones antes de perforar. No hacerlo podría resultar en daños a las líneas de combustible/frenos, miembros estructurales etc. CEQUENT PERFORMANCE PRODUCTS, INC. intenta al máximo comunicar los cambios del fabricante del vehículo de remolque; sin embargo, es finalmente responsabilidad del instalador evitar daños por causa de la instalación.

4. Use únicamente pernos, tuercas y arandelas suministradas por CEQUENT PERFORMANCE PRODUCTS, INC. para instalar este kit. Todos los pernos y tuercas son Grado 8 a menos que se especifique lo contrario.
5. Estas instrucciones están diseñadas para un grupo específico de vehículos. Cada soporte del bastidor se debe atornillar al bastidor del vehículo con dos pernos.

PRECAUCIÓN:

Estas instrucciones son pautas únicamente. La instalación real es responsabilidad del instalador y del propietario. Siempre mida el vehículo y el remolque antes de instalar el enganche para verificar que haya espacio en la cabina y en el parachoques para permitir los giros.

6. Recorte el protector de calor posterior como se observa en la **Figura 8**. Vuelva a instalar el protector de calor una vez que el kit de acceso esté en su lugar.



ESTA PIEZA SE DEBE VOLVER A INSTALAR

7. Use una llave de 18mm para retirar todos pernos de la base del lado del pasajero y aflojar o retirar todos pernos de la base del lado del conductor. Luego levante y apoye la base del vehículo. (Es posible que sólo se tenga que levantar un lado en cuyo caso se recomienda el lado del pasajero).
8. Inserte los largueros como se muestra en los siguientes pasos (Figuras 9 hasta 14). Con el lado plano hacia arriba el larguero posterior se debe insertar primero. Con el lado plano hacia arriba inserte el larguero delantero después. Vuelva a sujetar los pernos de la base del vehículo después de que los largueros estén insertados.

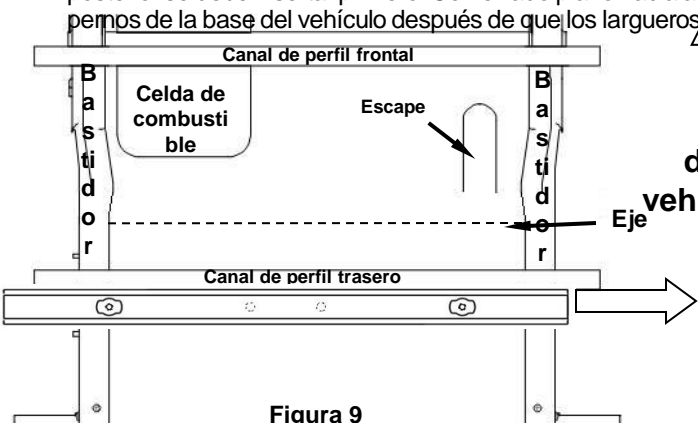


Figura 9

Paso 1: Deslice un larguero detrás del canal de perfil localizado sobre el eje. Levántelo y colóquelo de manera que esté apoyado sobre el bastidor.

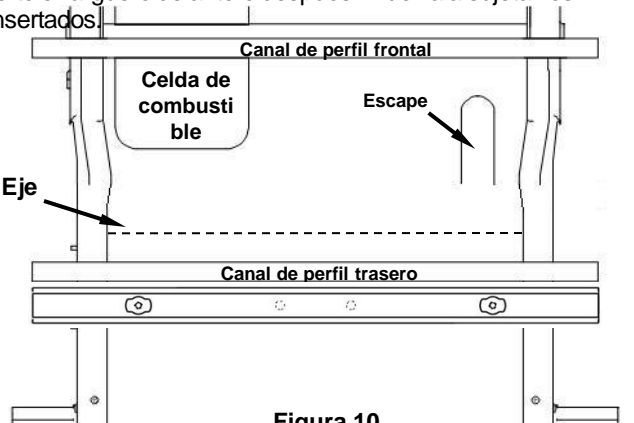


Figura 10

Paso 2: Coloque el larguero cerca del canal de perfil posterior como se muestra de manera que quede apoyado uniformemente en ambos lados del bastidor.

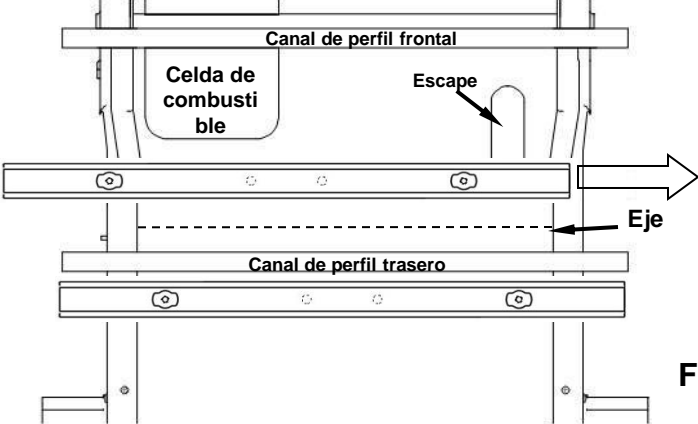


Figura 11

Paso 3: Deslice el larguero delantero sobre el bastidor como se muestra.

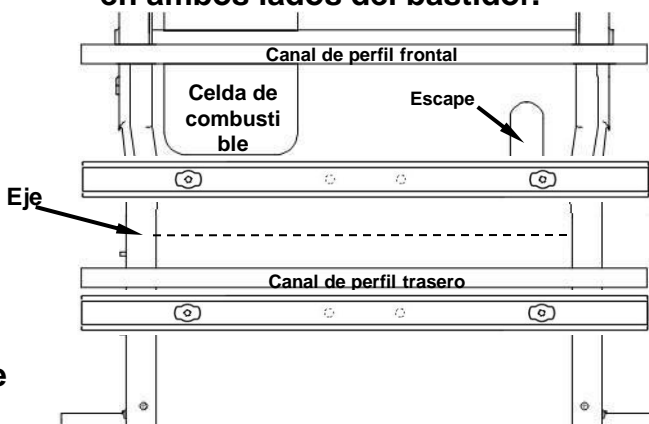


Figura 12

Paso 4: Coloque el larguero aproximadamente como se muestra de manera que quede apoyado uniformemente en ambos lados del bastidor.

Nota: Fig. 13-14 se refiere a la base de 6' bastidor.

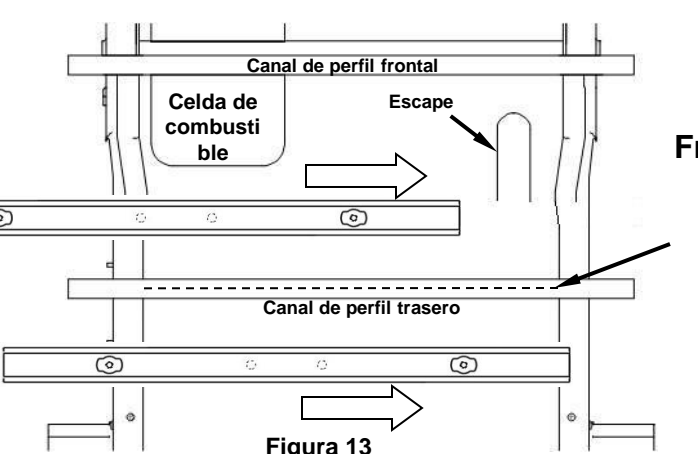


Figura 13

Paso 1: Levante y rote los largueros por encima del escape y hacia el canal de perfil

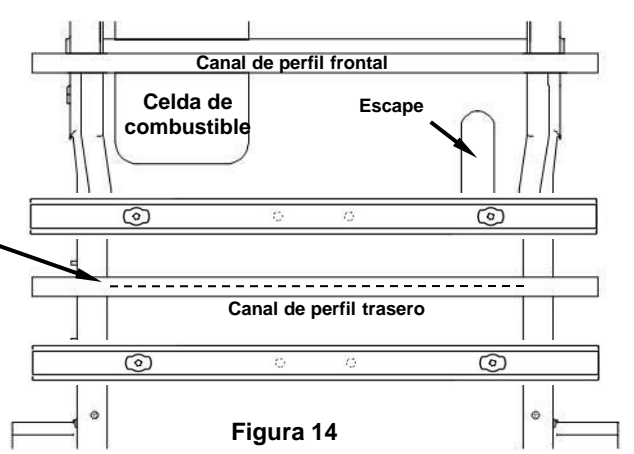


Figura 14

Paso 2: Deslice los largueros de manera que queden apoyados uniformemente en ambos lados del bastidor como se muestra.

Sin apretar instale los soportes del bastidor en los largueros usando pernos hexagonales de 2", arandelas cónicas de 3/4" y tuerca soldada/espaciador. (Figuras 15 y 16).

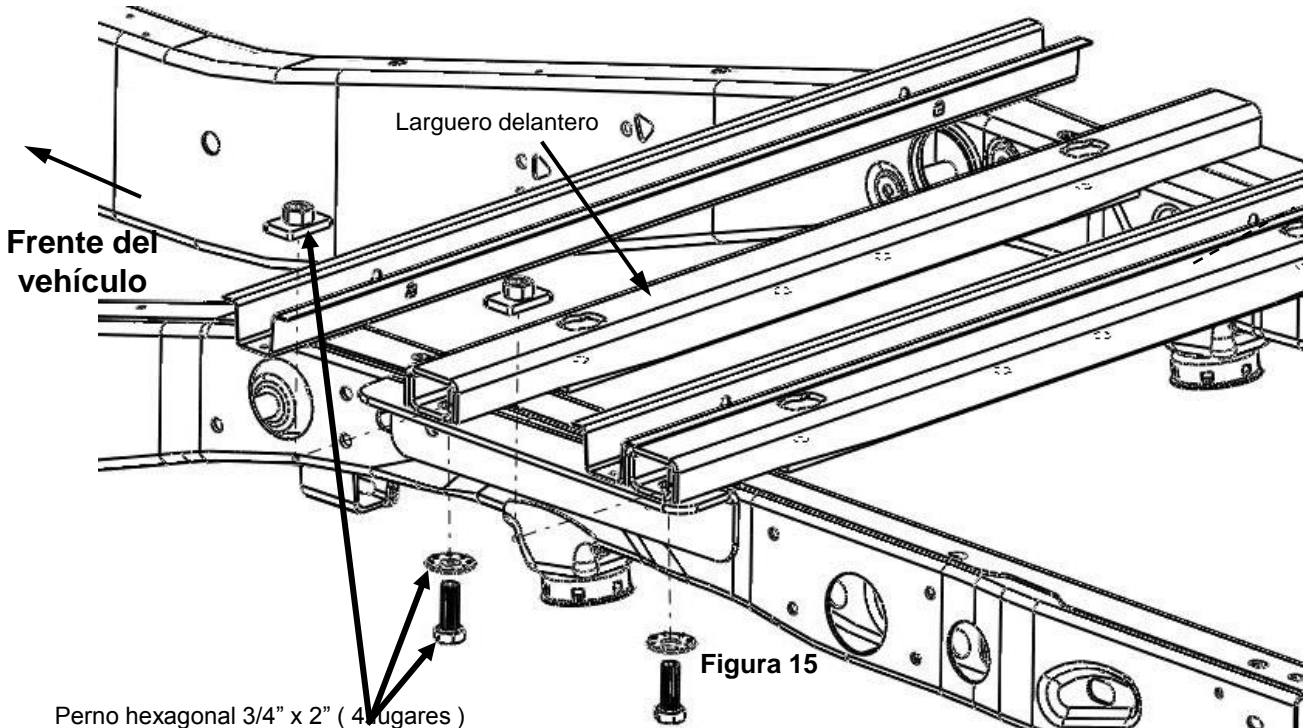


Figura 15

Perno hexagonal 3/4" x 2" (4 lugares)
 Arandela cónica dentada 3/4" (4 lugares)
 Tuerca soldada/espaciador (4 lugares)

NOTA: Los soportes laterales se deben orientar de manera que el borde en ángulo esté paralelo con la parte superior del bastidor del vehículo. (Las ranuras más grandes estarán encima)

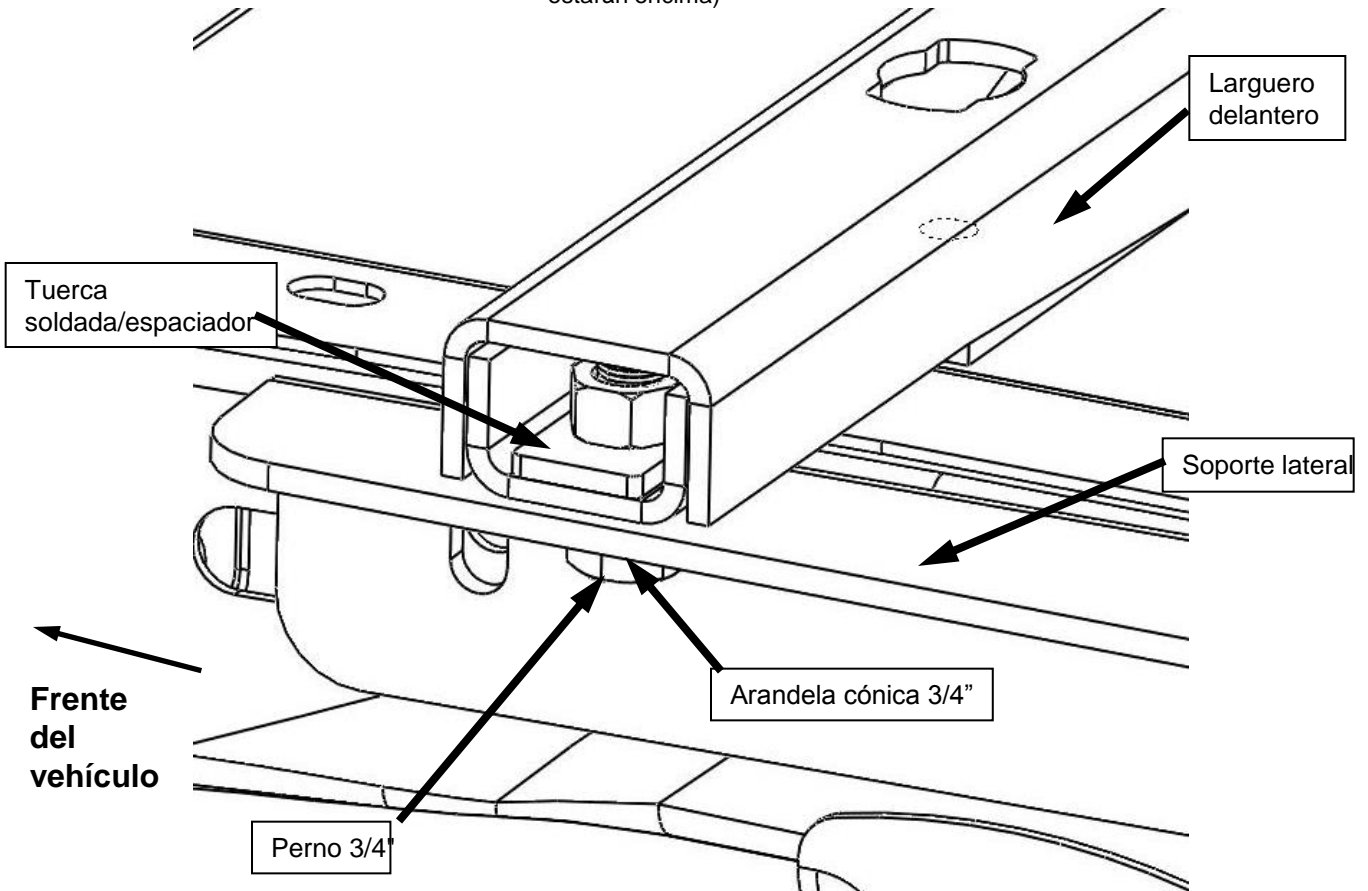


Figura 16

11. Sin apretar instale los soportes al bastidor usando pernos de carruaje de 5/8" x 2", arandelas cónicas de 5/8" y tuercas de 5/8" apretadas a mano (**Figura 17y18**) Deslice el espaciador sobre el perno de carruaje y enrosque el perno de carruaje en el cable de halar. Guíe el cable de halar a través del chasis (usando el orificio de acceso como se muestra), luego guíe el cable a través del chasis para colocar el perno y el espaciador a través de los orificios de montaje. Sin apretar instale la arandela cónica y la tuerca desde el exterior del larguero del bastidor. El perno de carruaje de 5/8" se instalará aquí usando el cable de halar desde el orificio de acceso.

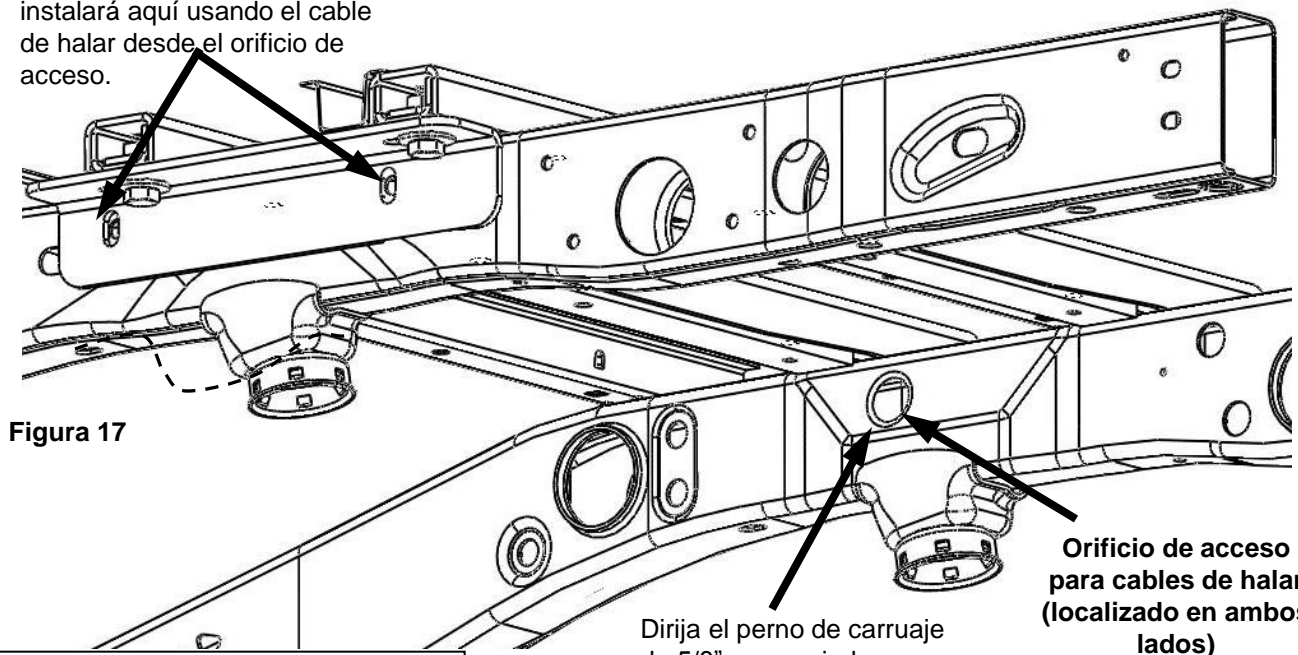


Figura 17

Orificio de acceso para cables de halar (localizado en ambos lados)

Dirija el perno de carruaje de 5/8" y espaciador a través de la abertura del chasis aquí

Tuerca 5/8" (4 lugares)
Arandela cónica 5/8" (4 lugares)

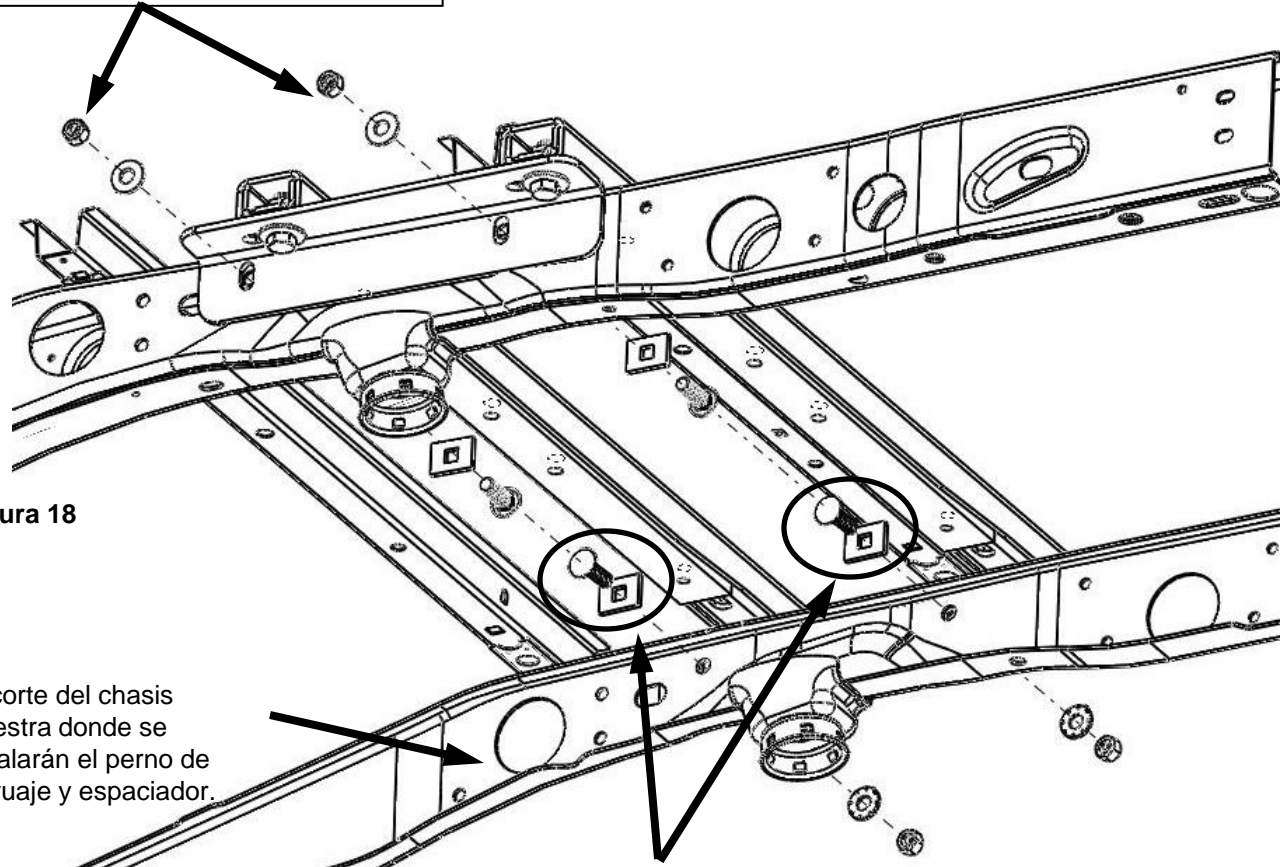


Figura 18

Recorte del chasis muestra donde se instalarán el perno de carruaje y espaciador.

Coloque el perno de carruaje de 5/8" y un espaciador en un cable de halar (4 lugares)

12. Usando el borde del corrugado de la base, mida las ubicaciones de los orificios que se deben cortar usando la **Figura 20** (aplicaciones de base larga) o **Figura 21** (aplicaciones de base corta). Si se usa un forro plástico de aplicación directa para la base, recorte ranuras de 19" X 4" en el forro medidas desde el centro de los orificios en la base del vehículo. Si se usa el ensamble deslizador de quinta rueda *REESE® Elite™ Series*, entonces consulte las instrucciones para el ensamble deslizador de quinta rueda para las dimensiones de recorte de las ranuras **Figura 20 – Base larga (8')**

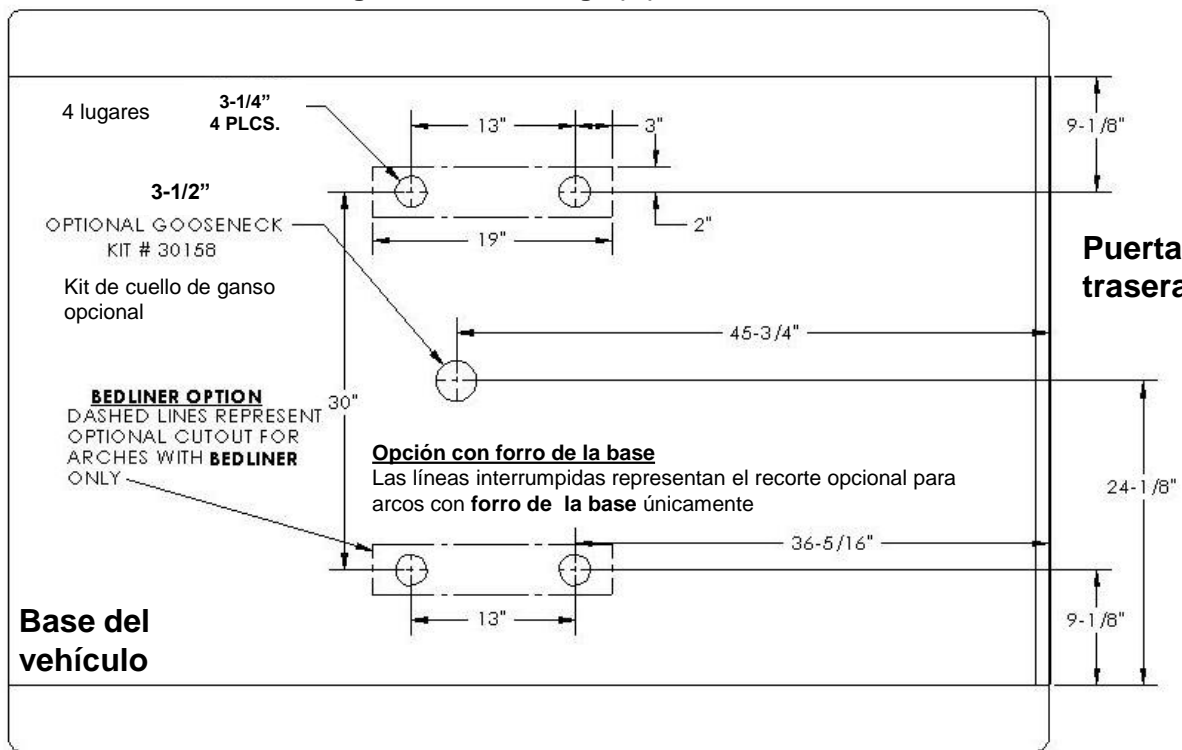
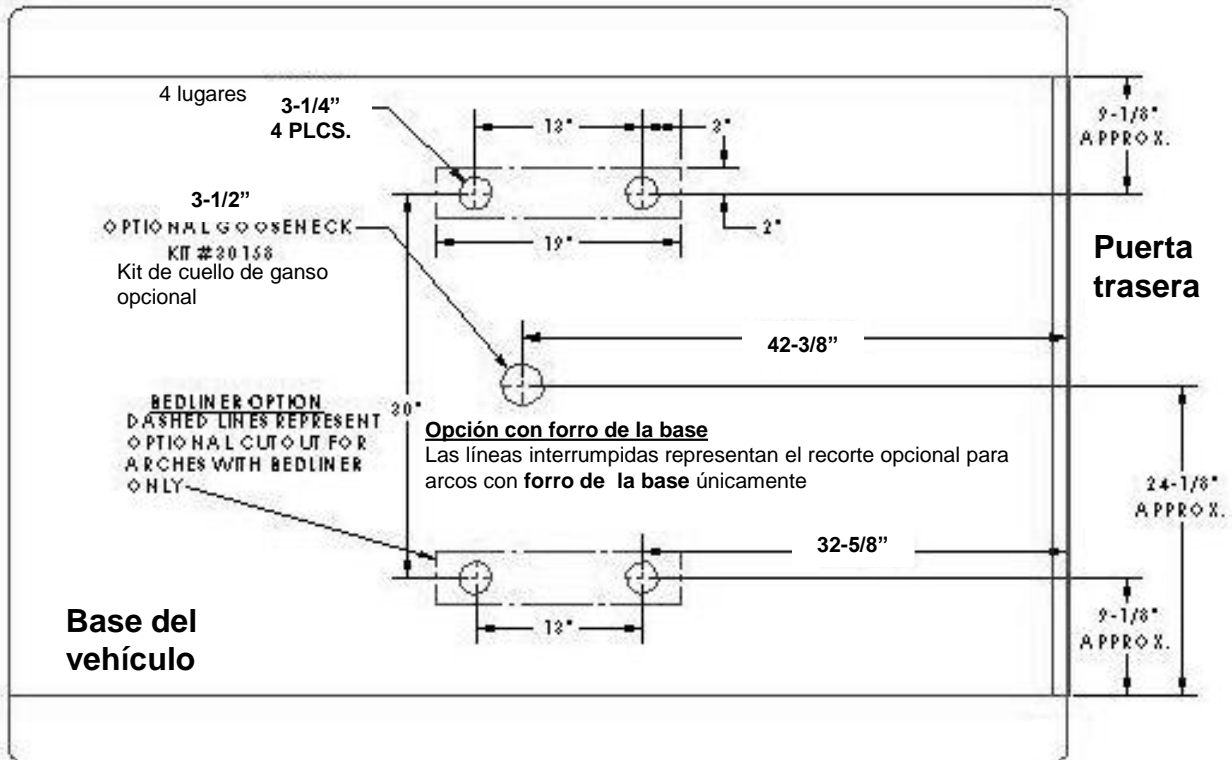


Figura 21 – Base corta (6')



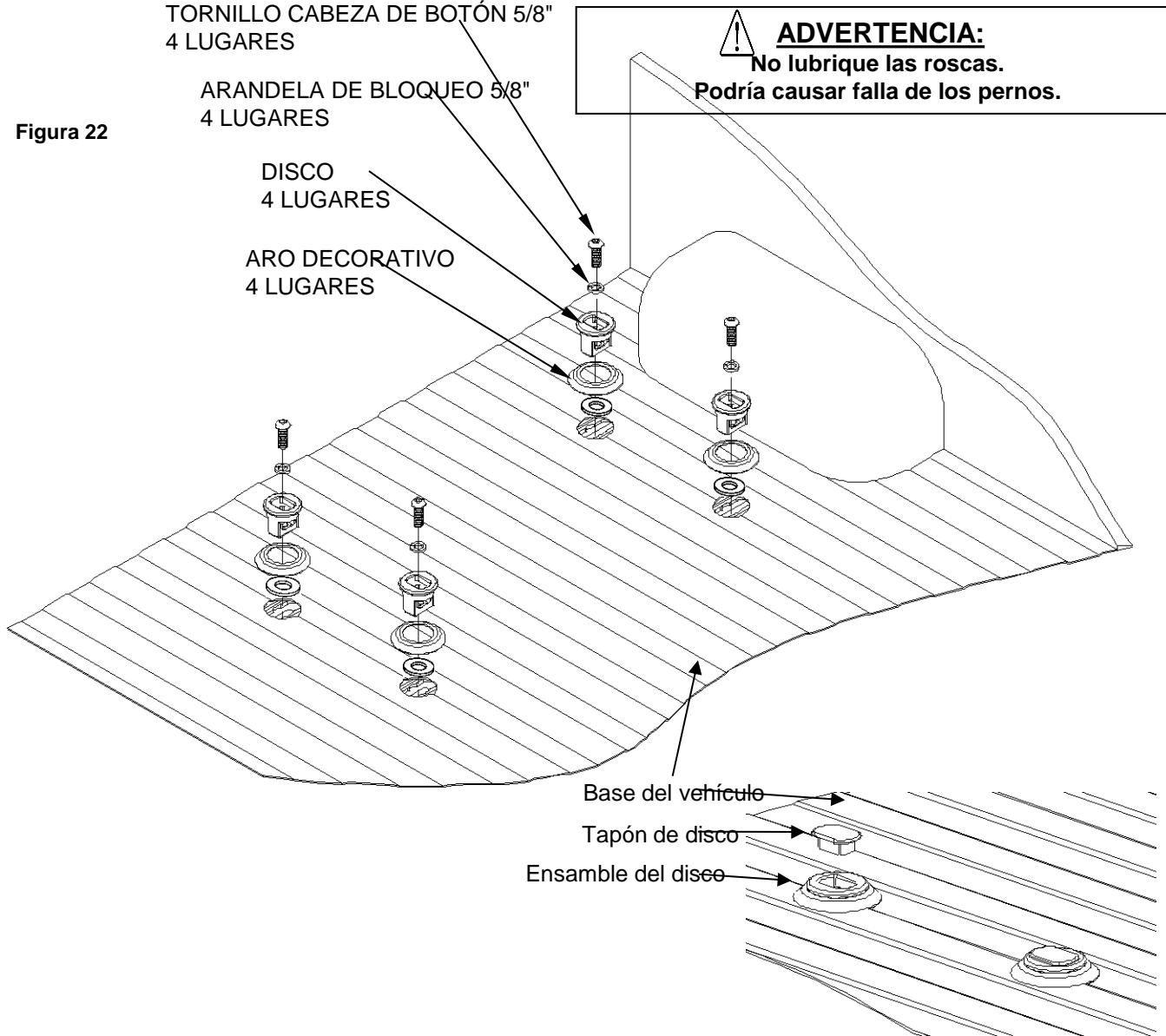
13. Retire los pernos de 5/8" x 2" instalando el soporte del bastidor a los largueros de montaje. Mueva los largueros hacia atrás o hacia adelante para evitar interferencia con la perforación del orificio o de la base del vehículo.

PRECAUCIÓN:

Revise en busca de obstrucciones antes de perforar. No hacerlo podría resultar en daños a las líneas de combustible/frenos, miembros estructurales etc. CEQUENT PERFORMANCE PRODUCTS, INC. intenta al máximo comunicar los cambios del fabricante del vehículo de remolque; sin embargo, es finalmente responsabilidad del instalador evitar daños por causa de la instalación.

- Perfore un orificio piloto en la base del vehículo según las medidas. Con la sierra de copa o perforador abra el orificio a 2-3/4". El forro plástico de la base necesita quitarse antes de perforar. El forro de la base se debe recortar según se indica en la instrucción general No. 3 en la página 5. Opcional: Rocíe debajo de las capas alrededor de los orificios de 2 3/4" para evitar la corrosión.
- Sin apretar instale los largueros al soporte del bastidor.
- Desde la base del vehículo instale los discos y aros decorativos a los largueros (**Figura 22**) usando un tornillo cabeza de botón de 5/8" y una arandela de bloqueo. Apriete a torsión a 100 pies-lbs..

Figura 22



- Inserte los tapones de disco (como se muestra) cuando los discos no estén en uso. (**Figura 23**)
- Instale la quinta rueda *REESE® Elite™ Series* según las instrucciones de ensamble del enganche.
- Apriete a torsión los pernos del ensamble del enganche según las instrucciones del enganche.
- Apriete a torsión todos los pernos hexagonales de 5/8" del kit de largueros a 170 pies-libras y los pernos hexagonales de 3/4" a 260 pies-libras.
- Reemplace cualquier línea de frenos y llanta de repuesto que se haya retirado/reubicado.

NOTAS:

GARANTÍA LIMITADA DE POR VIDA

Productos de alto rendimiento Cequent Inc. ("nosotros") garantiza la serie Elite 5ª rueda Kits de montaje del enganche al comprador original solamente ("usted") que el producto estará libre de defectos en material y mano de obra, uso y desgaste normal espera; siempre que la instalación y el uso del producto está en conformidad con las instrucciones del producto. No hay ninguna otra garantía, expresa o implícita, incluyendo la garantía de comerciabilidad o idoneidad para un propósito particular. Esta garantía no es transferible.

Esta garantía no cubre: (a) desgaste normal; (b) los daños a través del abuso, negligencia, uso indebido, o como resultado de un accidente o de cualquier otra forma; (c) daños causados por uso indebido, sobrecarga o instalación incorrecta; (d) mantenimiento inadecuado y reparación; y (e) alteración de cualquier producto de cualquier otra manera que nosotros, con la única excepción de los cambios efectuados con arreglo a las instrucciones del producto y de forma profesional.

Para realizar una reclamación de garantía, póngase en contacto con nosotros, a nuestra dirección principal de 47912 Halyard Dr. Suite 100, Plymouth, MI 48170, 1-800 -521-0510, identificar el producto con el número de modelo y, a continuación, siga las instrucciones de reclamación que serán proporcionados. Cualquier producto devuelto que es sustituido por nosotros se convierte en nuestra propiedad. Usted será responsable de la devolución los gastos de envío. Por favor, conserve el recibo de compra para verificar fecha de la compra, y que usted es el comprador original. El producto y el recibo de compra debe ser proporcionada a nosotros con el fin de procesar su reclamación de garantía.

Sustitución de los productos es su único recurso en virtud de la presente garantía. No nos haremos responsables de servicio o la mano de obra gastos extracción o sustitución de un producto o cualquier tipo de daños incidentales o de cualquier tipo.

Usted reconoce y acepta que el uso del producto para cualquier otro propósito que no sea el uso especificado(s) en las instrucciones del producto es a su propio riesgo.

Esta garantía le concede derechos legales específicos y también puede tener otros derechos que varían de estado a estado. Esta garantía se rige por las leyes del Estado de Michigan, sin tener en cuenta las normas relativas a los conflictos de leyes. Los tribunales del estado ubicado en Oakland County, Michigan tendrá jurisdicción exclusiva para todas las controversias relativas a la presente garantía.

Cequent Performance Products, Inc.
47912 Halyard Dr. Suite 100
Plymouth, MI. 48170