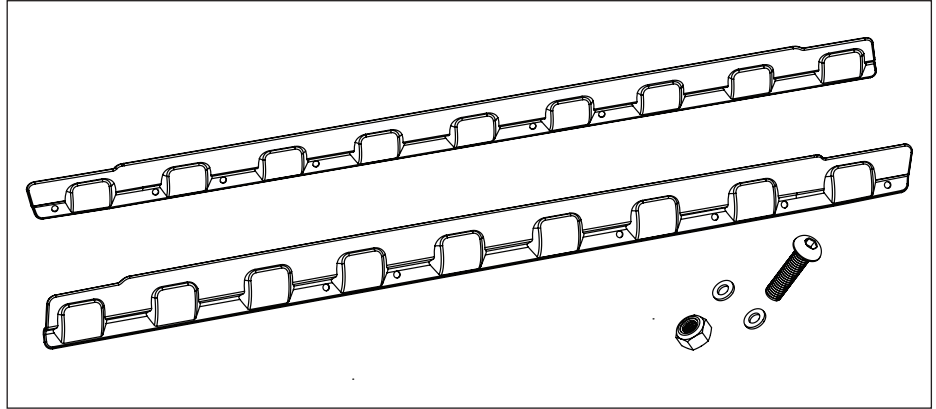


Body Armor, Rocker Guard Kit; JK & JKU

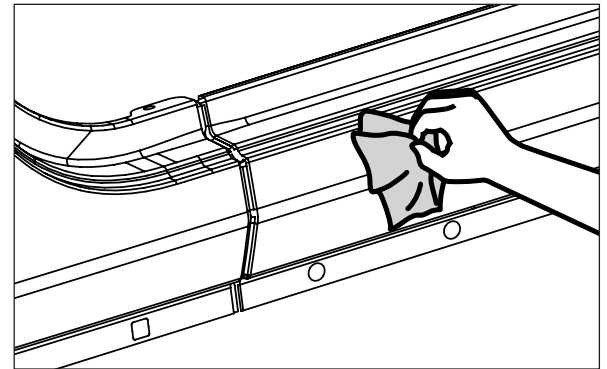
Contents:

- Right-hand Guard
- Left-hand Guard
- M6 Buttonhead Bolts (2Dr: 12pcs, 4Dr: 16pcs)
- M6 Washers (2Dr: 24pcs, 4Dr: 32pcs)
- M6 Nylon Locknuts (2Dr: 12pcs, 4Dr: 16pcs)
- 3M Promoter

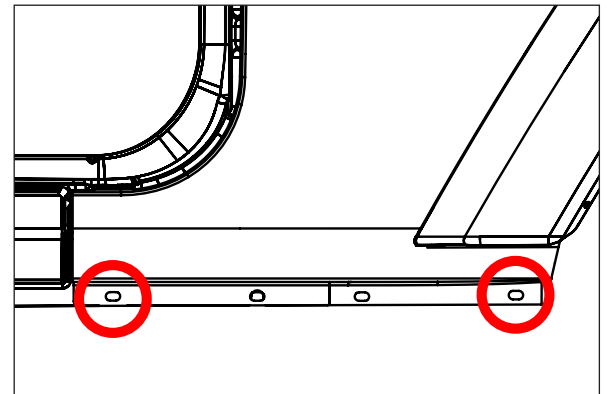


NOTE: These rocker guards have been designed to fit the contours of the vehicle. Instructions must be followed to insure the correct placement and adhesion of this part. If surface is not cleaned and prepared as stated below proper fitment will not take place. Do not install if outside temperature is below 65F or above 100F. Allow part to sit overnight before driving.

1. Both sides of vehicle lower rocker panels should be cleaned to door line with soap and water. Dry surface with clean cloth. Rub entire side with promoter. This will remove any dirt and soap residue that may contaminate the adhesive tape used to secure the rocker guards. Allow panel to dry.



2. Remove all 10mm bolts used to secure the front fender to the lower rocker panel



OMIX-ADA® TECHNICAL SUPPORT

PHONE: M-F 8am - 5pm EST 1-800-449-6649 | **EMAIL:** techsupport@omix-ada.com

FOR WARRANTY INFORMATION VISIT: www.Omix-Ada.com



OMIX-ADA, Inc.

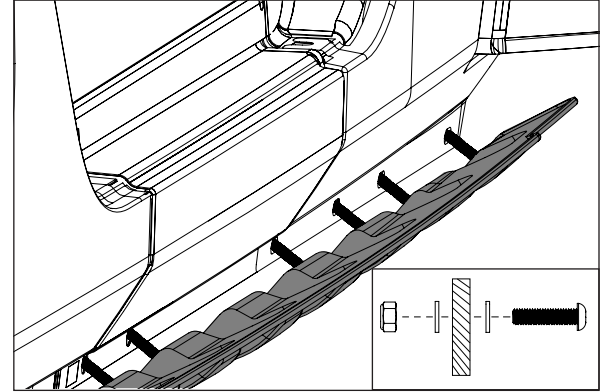


460 HORIZON DR. SUITE 400 | SUWANEE, GA 30024 | PHONE: 770-614-6101 | FAX: 770-614-6069 | info@omix-ada.com

IS-RG-02
Part # 11651.11
11651.12

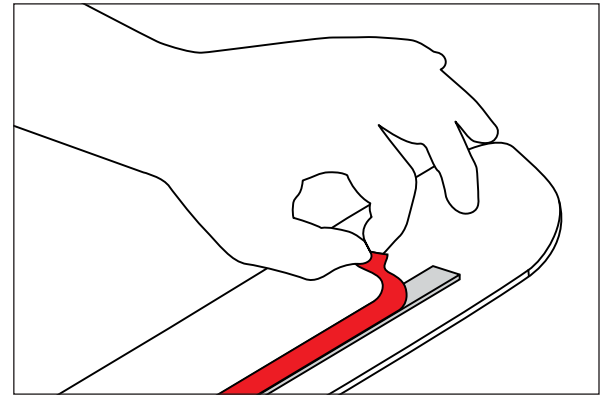
Body Armor, Rocker Guard Kit; JK & JKU

3. Place rocker guards into position. DO NOT remove red liner at this time. Visually inspect fit of part to confirm mounting holes are aligned and install bolts, washers, and lock nuts loosely. Rocker guard will hang away from vehicle.



4. Peel red liner from back of tape working from outer edges inward. Make sure that all tape covering is pulled back at the same time. This will insure that all the protective covering is removed during installation.

NOTE: The help of a second person is recommended for this step.



5. Attach rocker guard to the vehicle keeping part aligned to the vehicle surface. Apply pressure to ensure a strong bond. Tighten bolts and nuts.

NOTE: The help of a second person is recommended for this step.

Repeat #1-5 for opposite side of vehicle