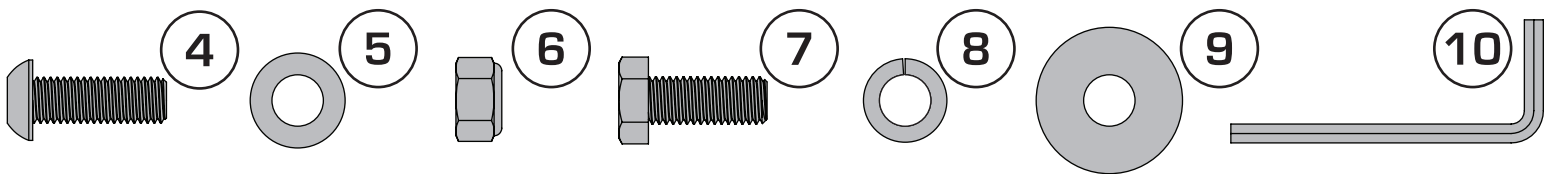
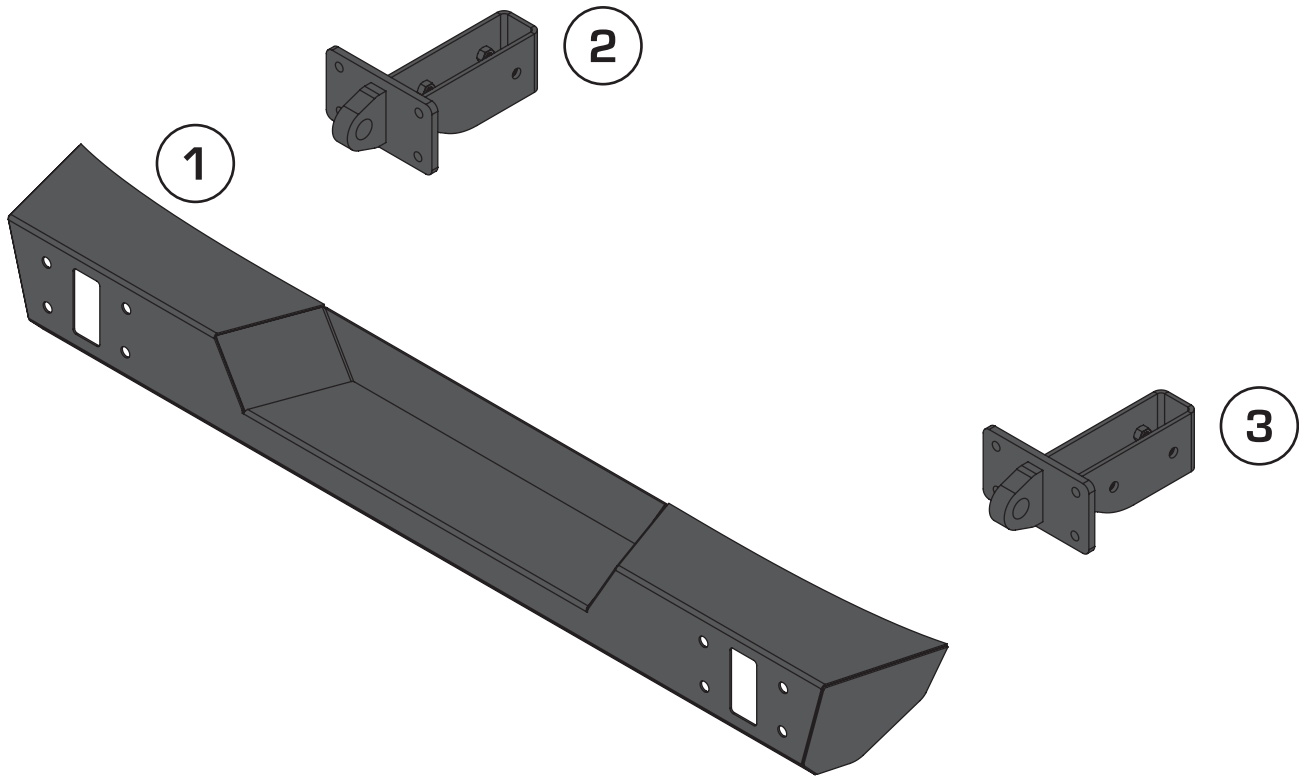


Spartan Rear Bumper, Body Width; JK & JKU



Components

1. Spartan Rear Bumper	(1)	6. M12 Nut	(8)
2. Mounting Bracket - Left	(1)	7. M12 Bolt - Hex Head	(6)
3. Mounting Bracket - Right	(1)	8. M12 Lock Washer	(6)
4. M12 Bolt - Button Head	(8)	9. M12 Oversized Washer	(6)
5. M12 Flat Washer	(16)	10. M12 Hex Key	(1)

OMIX-ADA® TECHNICAL SUPPORT

PHONE: M-F 8am - 5pm EST 1-800-449-6649 | TICKET: www.omixsupport.com

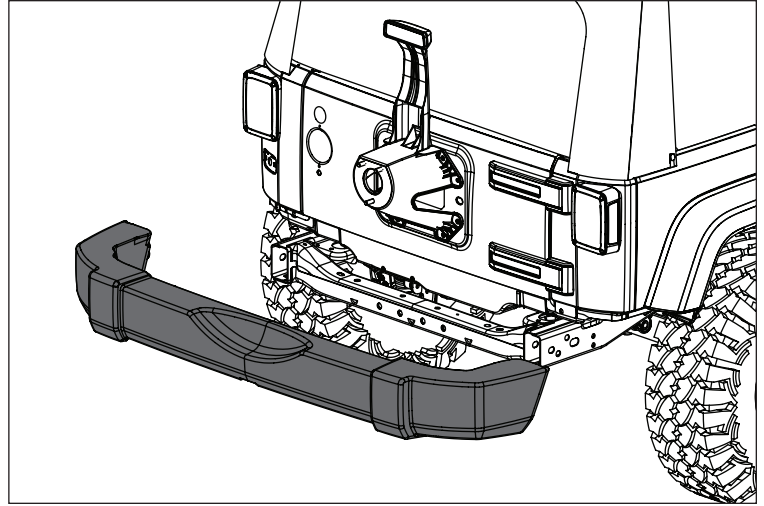
FOR WARRANTY INFORMATION VISIT: www.Omix-Ada.com

Spartan Rear Bumper, Body Width; JK & JKU

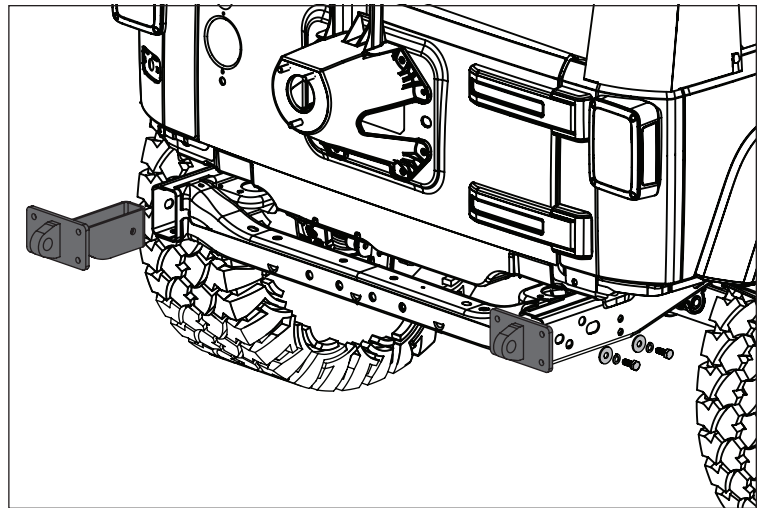
1. Remove spare tire and factory rear bumper.



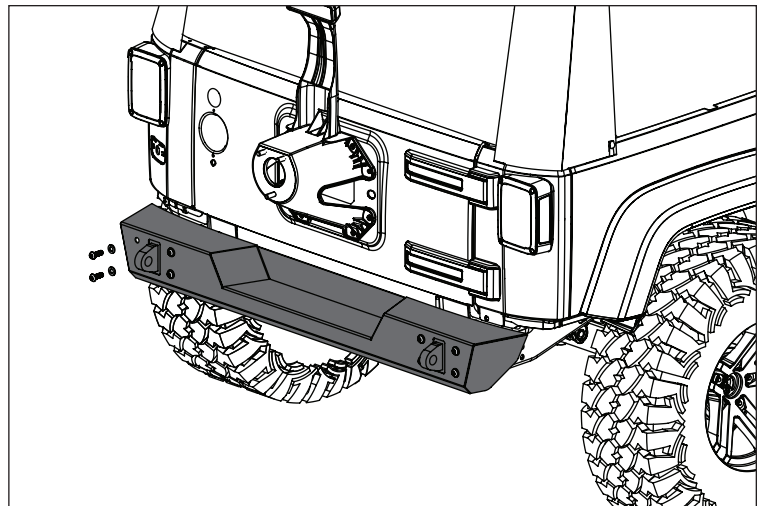
Have another person help lift tire off tire mount.



2. Install Left and Right Mounting Brackets into frame rails using Hex Head M12 Bolt, Lock Washer, and Oversized Washer. Do not fully tighten hardware.



3. Install Spartan Rear Bumper on Mounting Brackets using remaining M12 hardware. Align bumper with body and fully tighten Mounting Bracket hardware.



4. Reinstall spare tire and torque lug nuts to factory specification.



Failure to tighten lug nuts to proper torque specification could result in serious injury or property damage.