

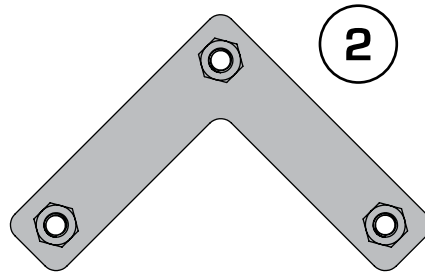
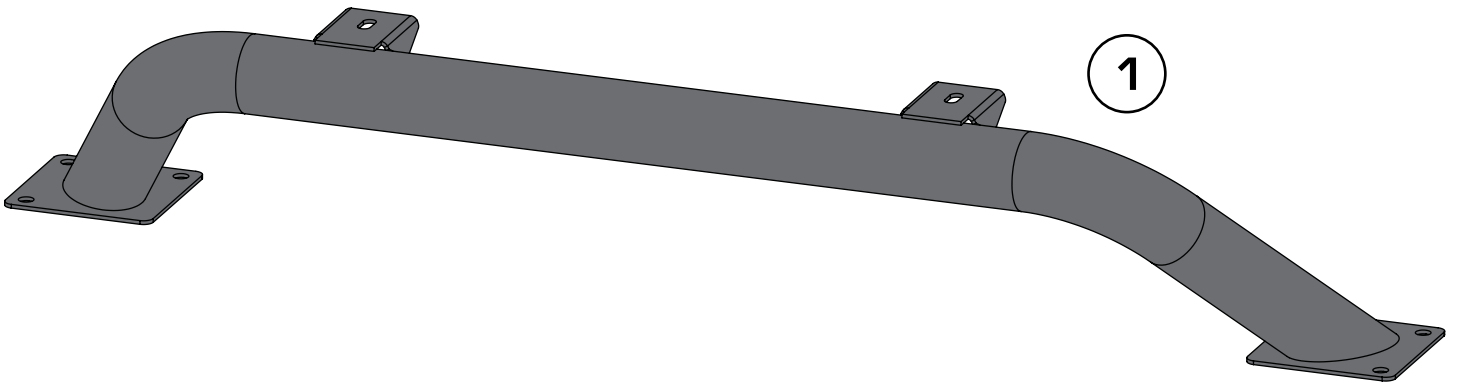


OMIX-ADA, Inc.

460 HORIZON DR. SUITE 400 | SUWANEE, GA 30024 | PHONE: 770-614-6101 | FAX: 770-614-6069 | info@omix-ada.com

Part # 11548.74

Spartan Override, JK & JKU



Components

1. Override

(1) 2. M8 Nut Plate

(2)

OMIX-ADA® TECHNICAL SUPPORT

PHONE: M-F 8am - 5pm EST 1-800-449-6649 | EMAIL: techsupport@omix-ada.com

FOR WARRANTY INFORMATION VISIT: www.Omix-Ada.com



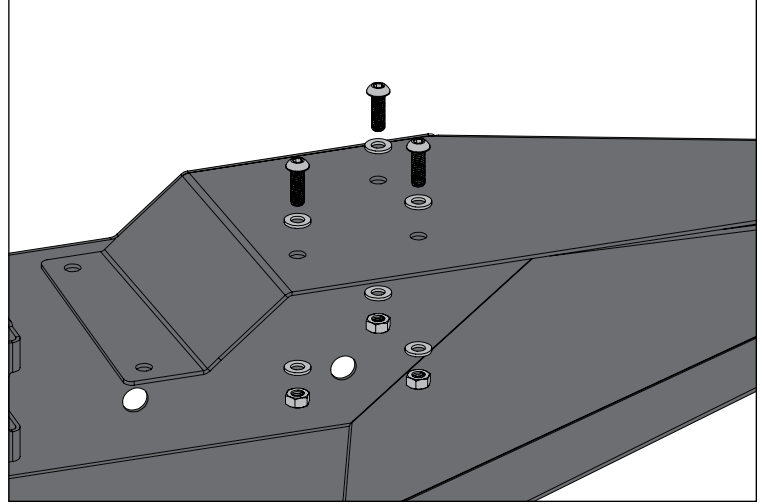
OMIX-ADA, Inc.

460 HORIZON DR. SUITE 400 | SUWANEE, GA 30024 | PHONE: 770-614-6101 | FAX: 770-614-6069 | info@omix-ada.com

Part # 11548.74

Spartan Override, JK & JKU

1. Remove M8 Bolts, Flat Washers, and Nuts from Spartan Bumper filling override mounting holes.



2. Install Spartan Override using supplied M8 Nut Plates and removed M8 Bolts and Flat Washers.

