

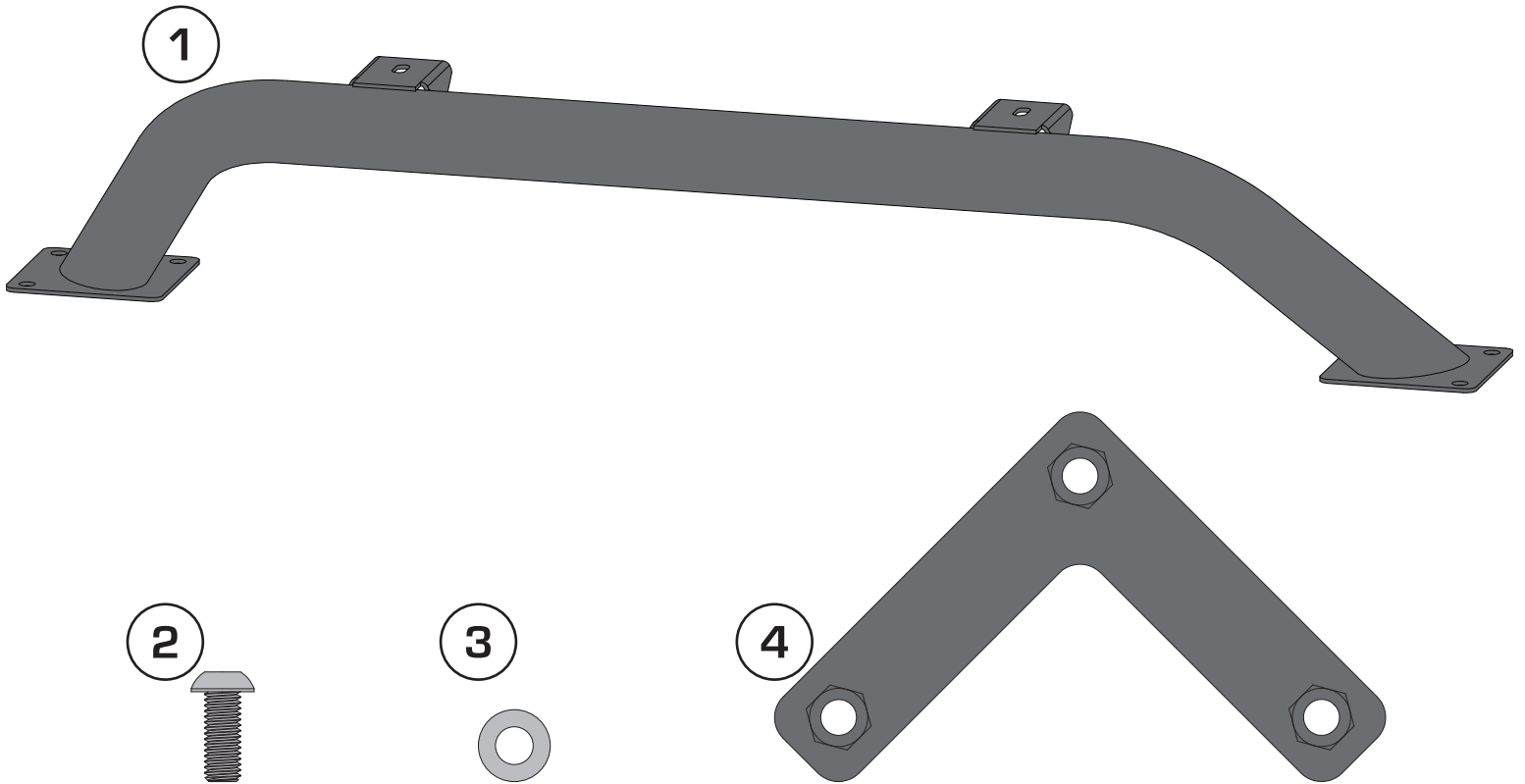


OMIX-ADA, Inc.

Part #11548.44

460 HORIZON DR. SUITE 400 | SUWANEE, GA 30024 | PHONE: 770-614-6101 | FAX: 844-270-0593 | www.Omix-ADA.com

# Spartan Override, JL/JLU & Gladiator



## Components

- 1. Spartan Override
- 2. M8 Bolt

- (1) 3. M8 Washer
- (6) 4. M8 Nut Plate

- (6)
- (2)

### OMIX-ADA® TECHNICAL SUPPORT

PHONE: M-F 8am - 5pm EST 1-800-449-6649

FOR WARRANTY OR TECH CONCERNS EMAIL: [webmaster@omixsupport.com](mailto:webmaster@omixsupport.com)



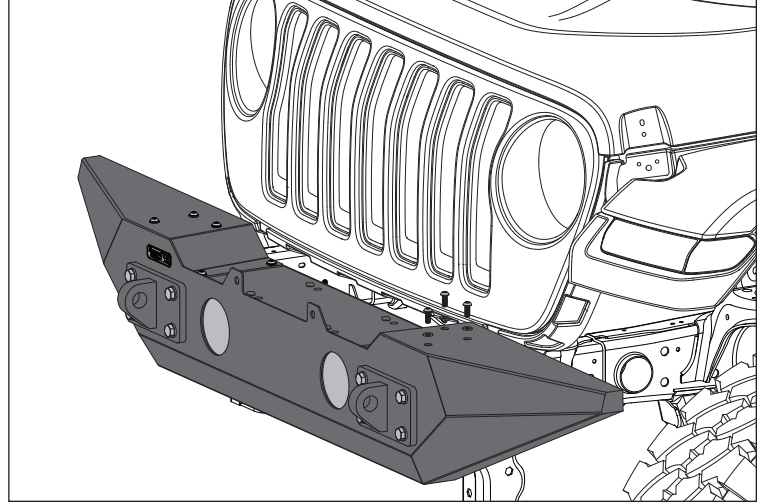
OMIX-ADA, Inc.

Part #11548.44

460 HORIZON DR. SUITE 400 | SUWANEE, GA 30024 | PHONE: 770-614-6101 | FAX: 844-270-0593 | www.Omix-ADA.com

# Spartan Override, JL/JLU & Gladiator

1. Remove M8 hardware filling holes on Spartan Front Bumper.



2. Install Spartan Override using supplied M8 hardware and nut plates.

