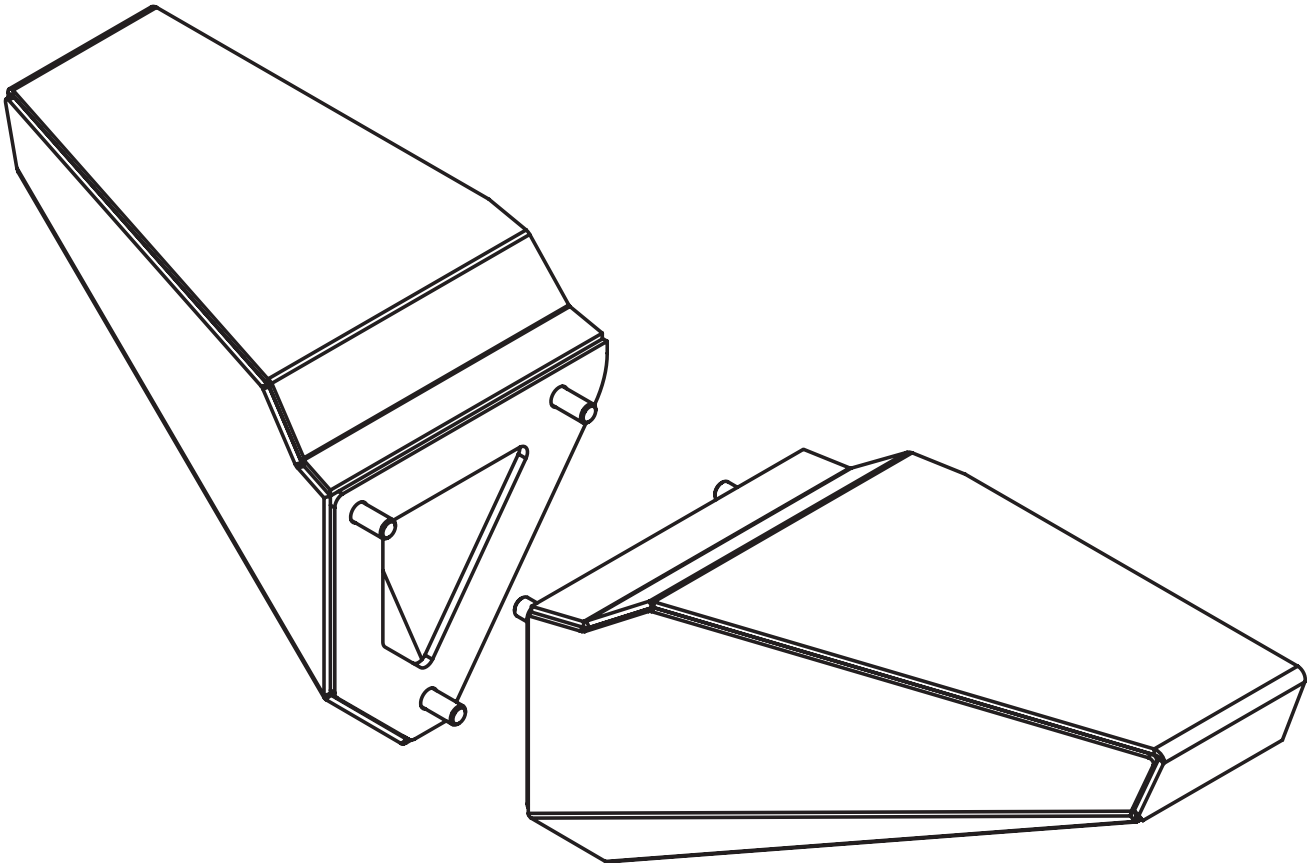


# XHD Front Bumper Standard End Kit, CJ, YJ & TJ



## Components

1. Left Standard End.....(1)
2. Right Standard End.....(1)

**OMIX-ADA® TECHNICAL SUPPORT**

**PHONE:** M-F 8am - 5pm EST 1-800-449-6649 | **EMAIL:** techsupport@omix-ada.com

**FOR WARRANTY INFORMATION VISIT:** [www.Omix-Ada.com](http://www.Omix-Ada.com)

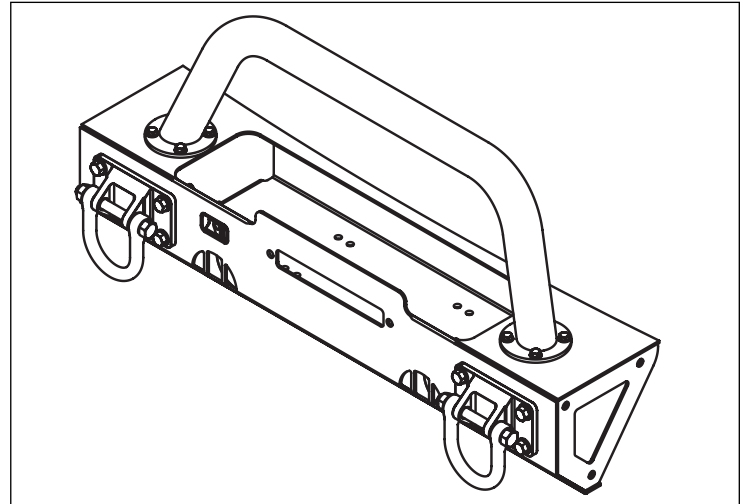
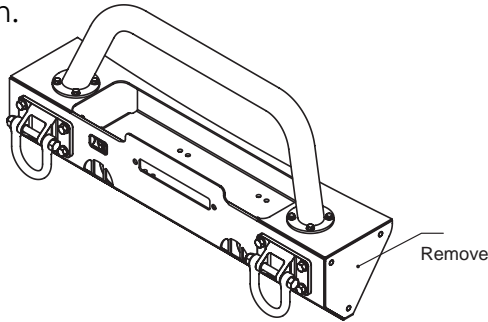


OMIX-ADA, Inc.

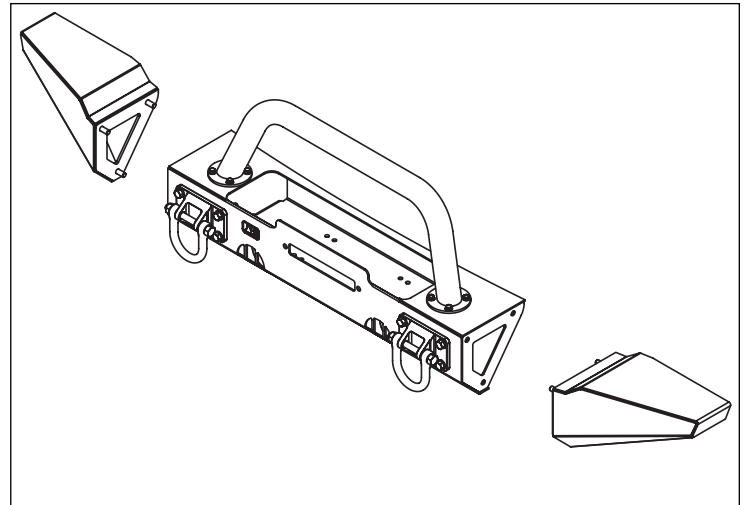
460 HORIZON DR. SUITE 400 | SUWANEE, GA 30024 | PHONE: 770-614-6101 | FAX: 770-614-6069 | info@omix-ada.com

# XHD Front Bumper Standard End Kit, CJ, YJ & TJ

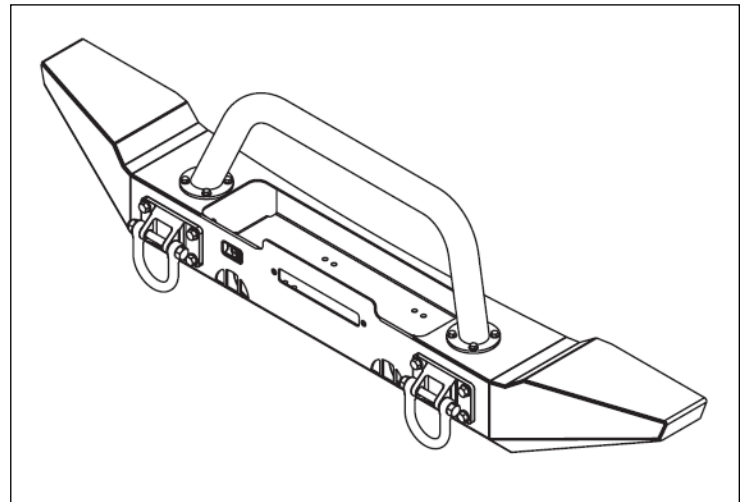
1. Standard Ends are easier to install with the Center Section of Modular HD Bumper off of the vehicle, but can be installed with the Center Section already installed. If Standard Ends are replacing previously installed Stubby Ends, remove them so that empty ends remain.



2. Position the ends to the ends of the Center Section, aligning the studs in the ends with the holes in the sides of the Center Section. Insert the studs in the Standard End into the holes in the Center Section and secure them with the nuts that came with the Center Section.



3. Once all 6 nuts have been started, tighten them. Installation is now complete!





OMIX-ADA, Inc.

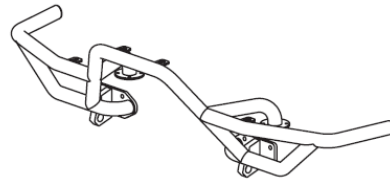
460 HORIZON DR. SUITE 400 | SUWANEE, GA 30024 | PHONE: 770-614-6101 | FAX: 770-614-6069 | info@omix-ada.com

# XHD Front Bumper Standard End Kit, CJ, YJ & TJ

Congratulations on the purchase and installation of a quality Rugged Ridge product! Ask your retailer about the following additional accessories to the JK Modular HD Bumper:



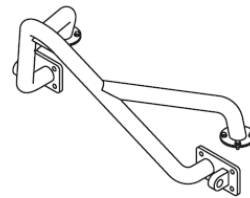
11540.14 - Optional Hoop - Black  
11540.16 - Optional Hoop - Stainless



11540.48 - Optional RRC Hoop



11540.17 - Optional Stainless D-Rings



11540.13 - Optional Stinger