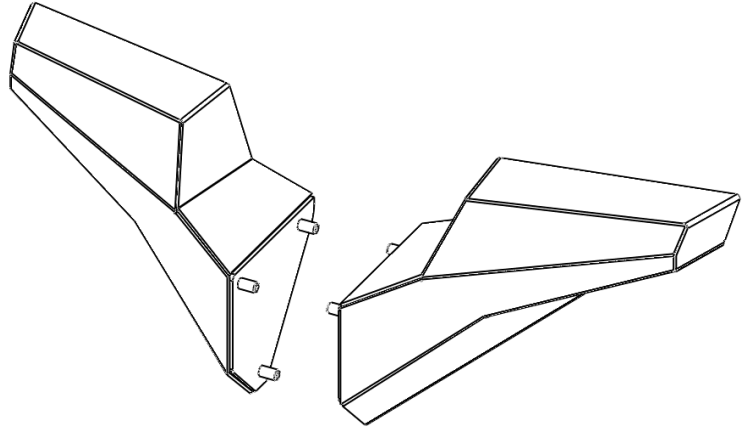


## 2007-2018 Jeep® JK Wrangler XHD Front Bumper High Clearance Ends

**Contents:**

1. Left High Clearance End (1)
2. Right High Clearance End (1)



1. High Clearance Ends are easier to install with the Center Section of the Modular XHD Bumper off of the vehicle. However, they can be installed with the Center Section already installed on the vehicle. If the High Clearance Ends are replacing any previously installed ends (Figure 1a), remove them so that the empty end remains (Figure 1b).

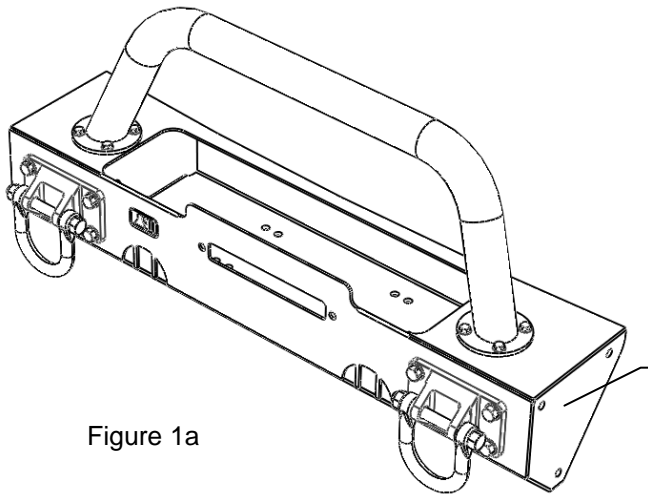


Figure 1a

Remove

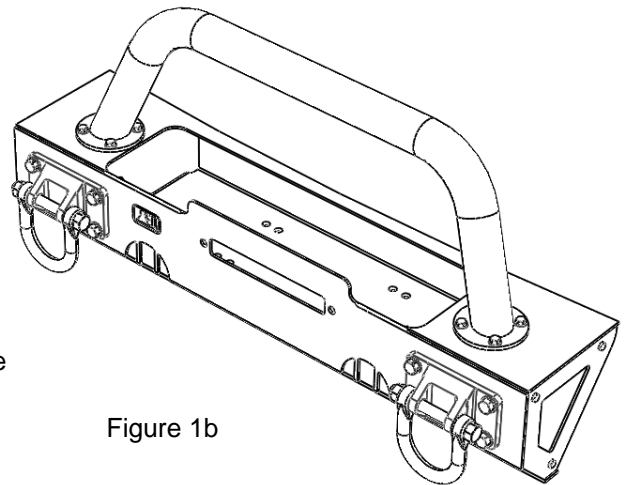


Figure 1b

## 2007-2018 Jeep® JK Wrangler XHD Front Bumper High Clearance Ends

- Align the studs of the High Clearance Ends with the holes in the sides of the Center Section (Figure 2a). Insert the studs in the High Clearance Ends into the holes in the Center Section and secure them with nuts that came with the Center Section.

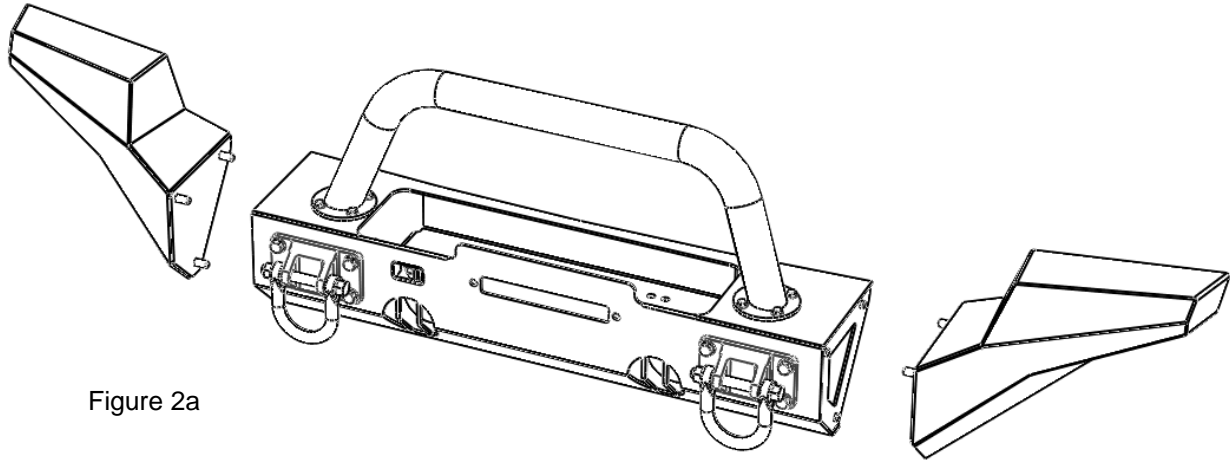
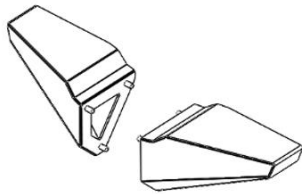


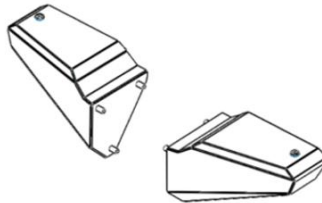
Figure 2a

- Once all 6 nuts have been started, tighten them. Installation is now complete!

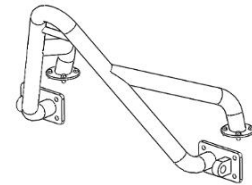
Congratulations on the purchase and installation of a quality Rugged Ridge product! Ask your retailer about the following additional accessories to the JK Modular XHD Bumper:



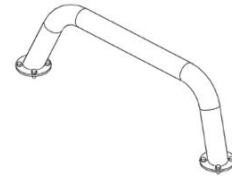
11540.12 Standard Ends



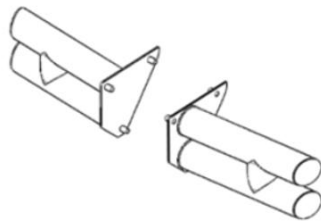
11540.22 Storage Ends



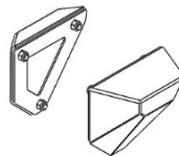
11540.13 Stinger



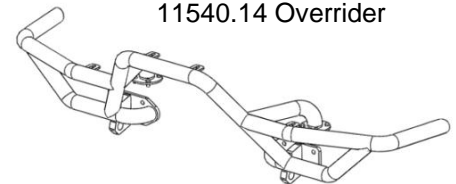
11540.14 Overrider



11540.21 Tube Ends



11540.23 Stubby Ends



11540.18 RRC Mount