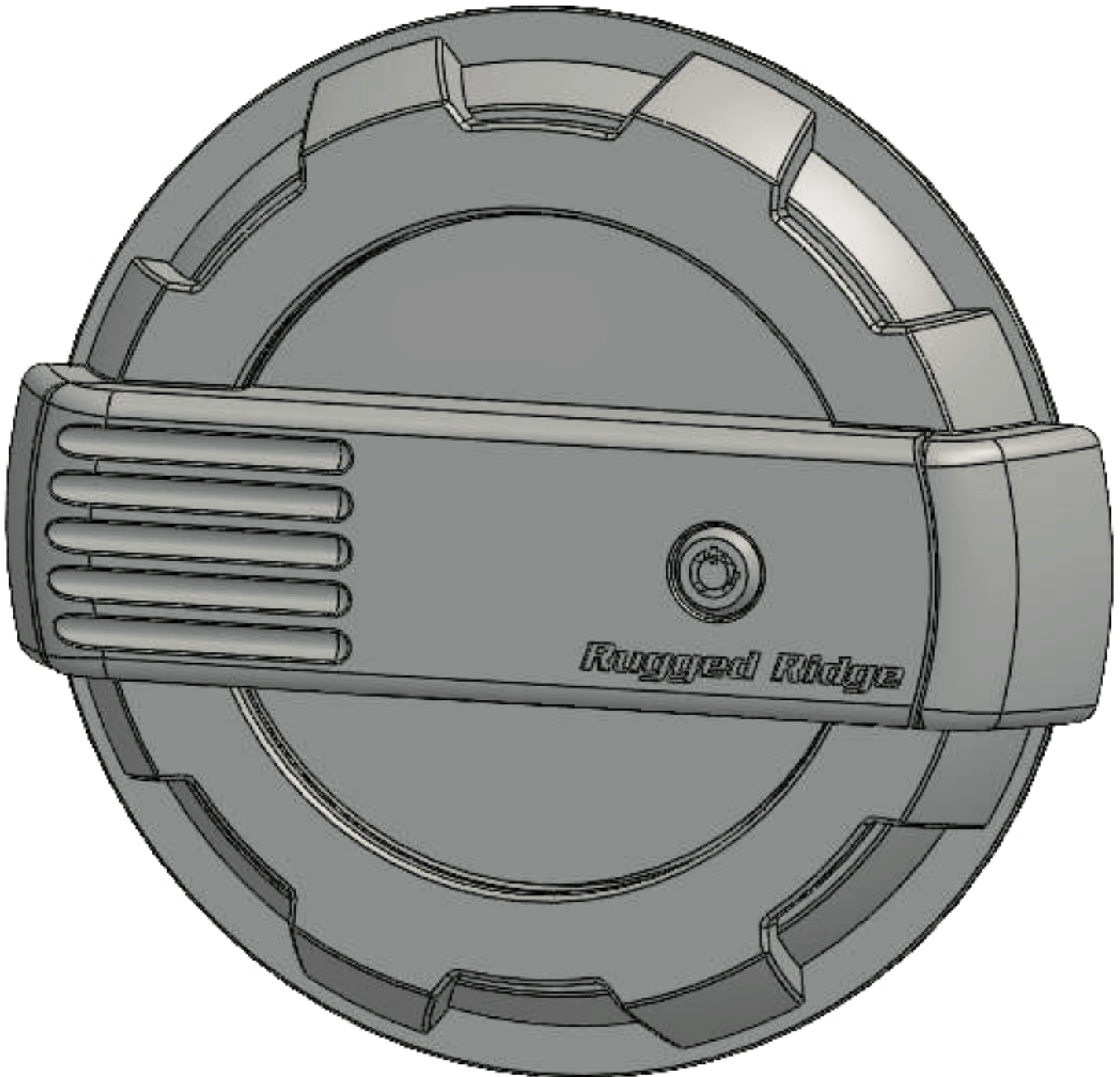




460 HORIZON DR. SUITE 100 | SUWANEE, GA 30024 | PHONE: 770-614-6101 | FAX: 770-614-6069 | info@omix-ada.com

Elite Locking Fuel Door, JL



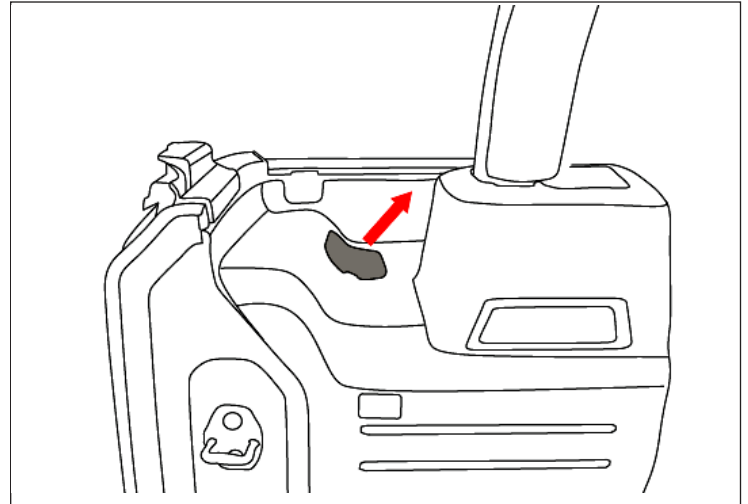
OMIX-ADA® TECHNICAL SUPPORT

PHONE: M-F 8am - 5pm EST 1-800-449-6649 | **EMAIL:** techsupport@omix-ada.com

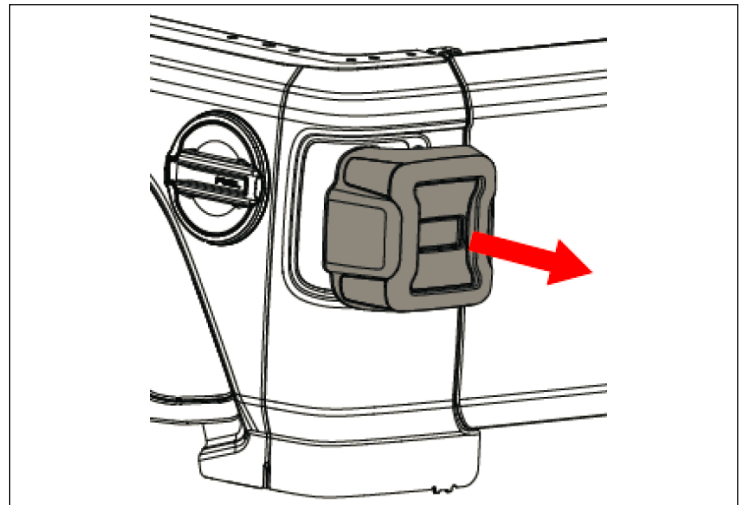
FOR WARRANTY INFORMATION VISIT: www.Omix-Ada.com

Elite Locking Fuel Door, JL

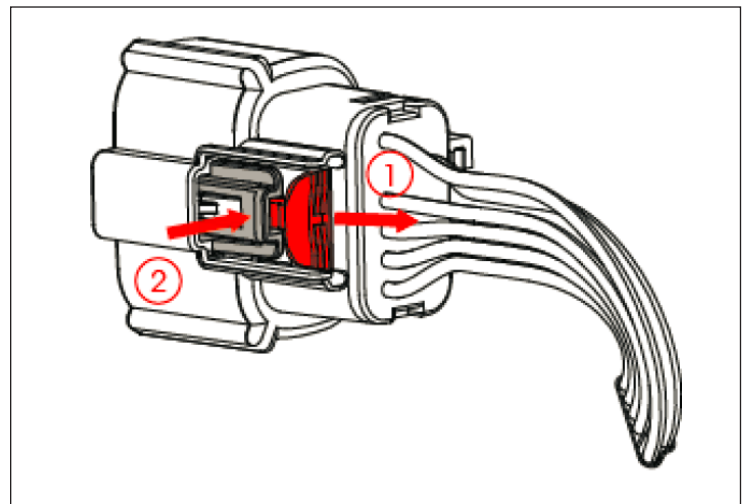
1. Lift plastic cover in cargo area to gain access to tail light mounting bolt.



2. Using either a 10mm or T40 torx socket, unscrew OE mounting bolt and carefully pull tail light away from vehicle.

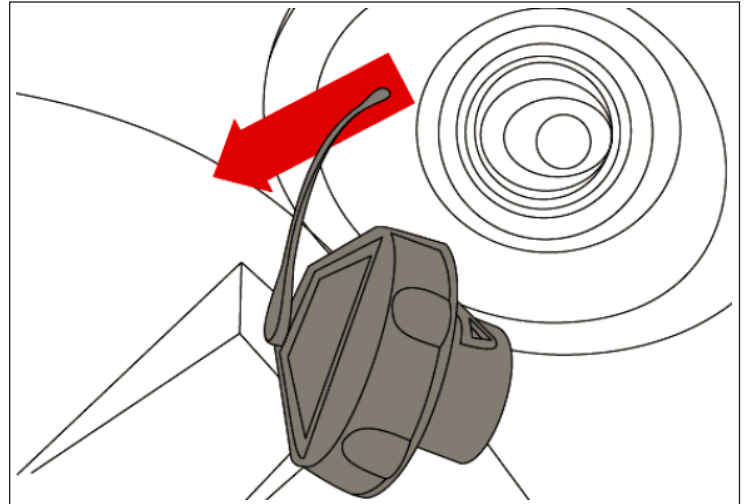


3. Unplug tail light by sliding red tab first. Then press down on gray tab and gently pull plug from light.

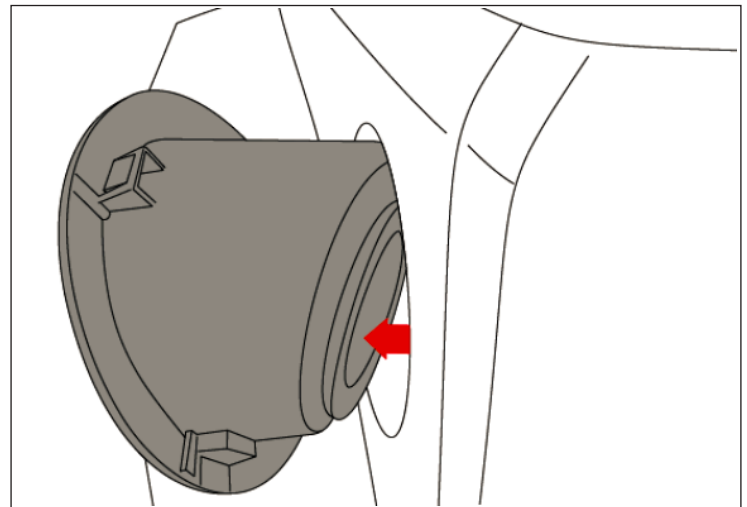


Elite Locking Fuel Door, JL

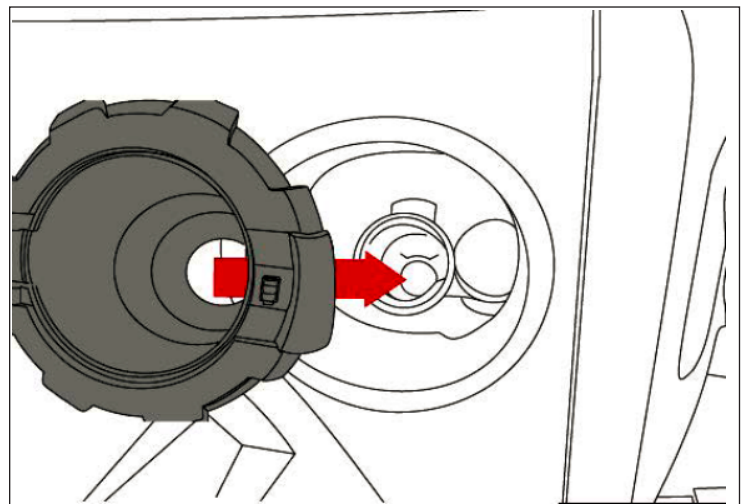
4. Remove gas cap. Pull gas cap tether from fuel filler housing and set gas cap aside.



5. Remove OE fuel filler housing, by releasing plastic tabs on back of fuel housing. Pull fuel filler housing to remove. Clean area previously covered by filler housing before proceeding.

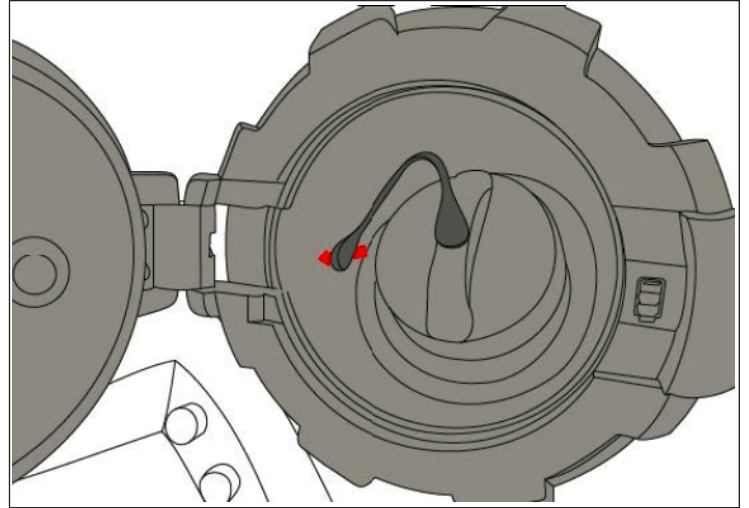


6. Align grommet on filler housing with fuel filler neck. Apply moderate pressure to front face of fuel door to engage.



Elite Locking Fuel Door, JL

7. Reattach fuel door tether to Rugged Ridge Fuel Door filler housing.



8. Reattach taillight electrical connectors and reinstall taillight.

