

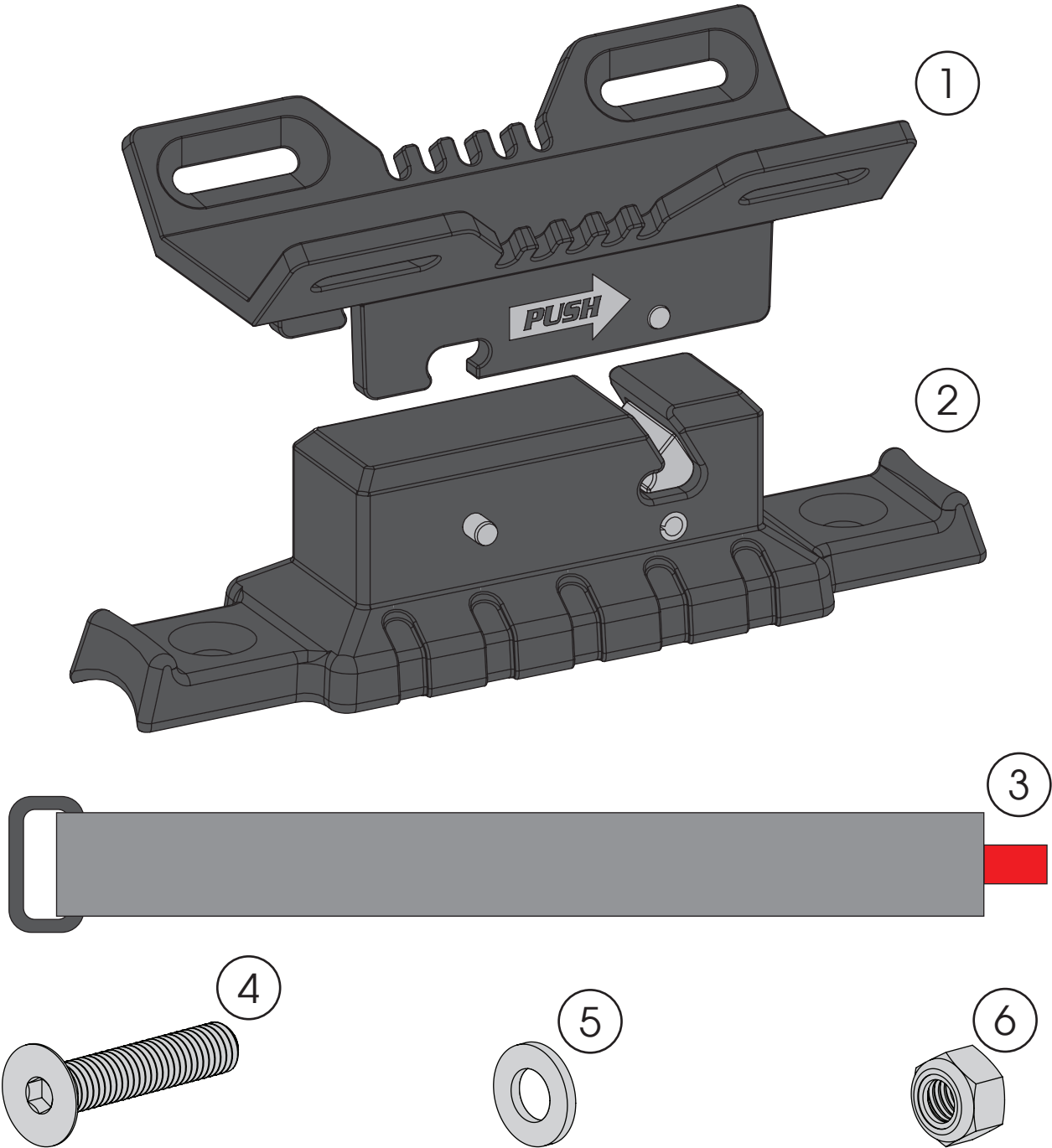


OMIX-ADA, Inc.

Part # 11238.40

460 HORIZON DR. SUITE 400 | SUWANEE, GA 30024 | PHONE: 770-614-6101 | FAX: 770-614-6069 | info@omix-ada.com

Elite Fire Extinguisher Holder



Components

- | | | | |
|-----------------------------|-----|-----------------------|-----|
| 1. Fire Extinguisher Holder | (1) | 4. M8 Flat Head Screw | (2) |
| 2. Base Mount | (1) | 5. M8 Flat Washer | (2) |
| 3. Velcro Strap | (4) | 6. M8 Lock Nut | (2) |

OMIX-ADA® TECHNICAL SUPPORT

PHONE: M-F 8am - 5pm EST 1-800-449-6649 | EMAIL: techsupport@omix-ada.com

FOR WARRANTY INFORMATION VISIT: www.Omix-Ada.com

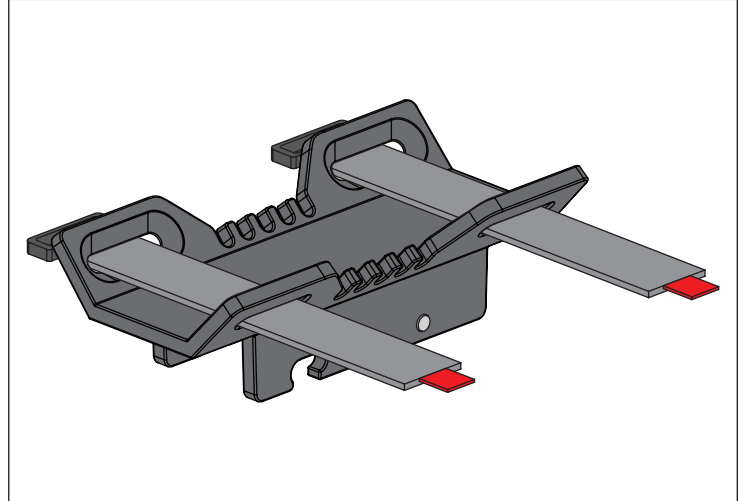


OMIX-ADA, Inc.

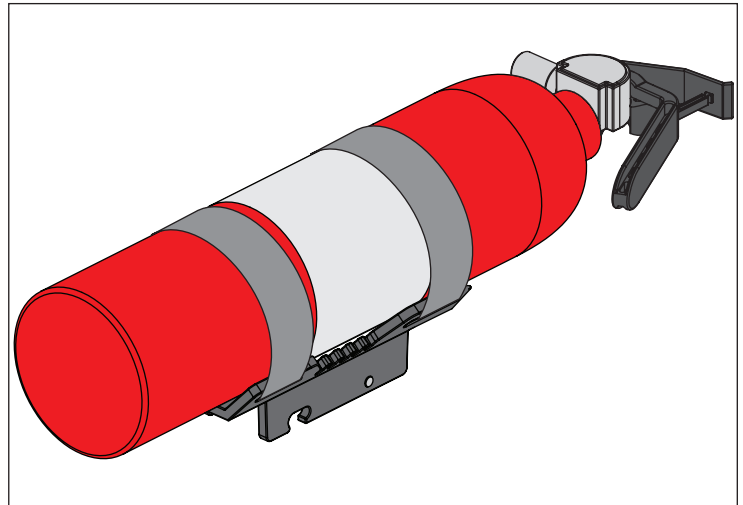
460 HORIZON DR. SUITE 400 | SUWANEE, GA 30024 | PHONE: 770-614-6101 | FAX: 770-614-6069 | info@omix-ada.com

Elite Fire Extinguisher Holder

1. Feed Velcro Straps through slots in Fire Extinguisher Holder.



2. Place fire extinguisher in Holder and securely fasten Velcro Straps. Do not cover fire extinguisher instructions with Hose Clamps.



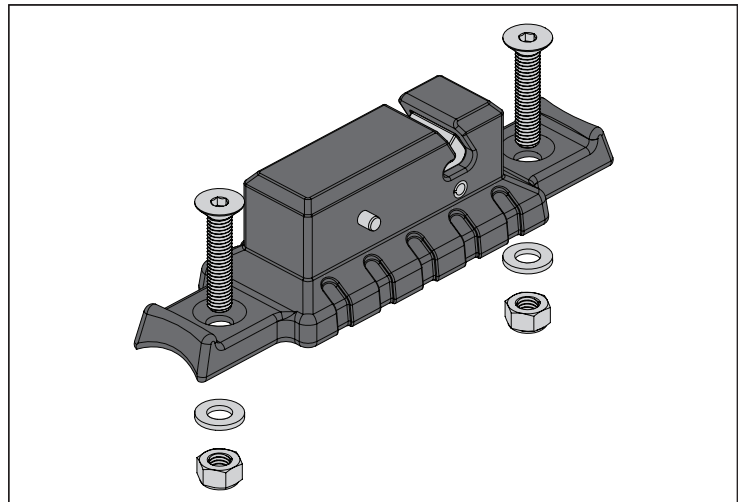
3. **FLAT MOUNT INSTALL:** Drill two 3/8" diameter holes 5.5" apart along straight line path. Using supplied hardware, install Base Mount to flat surface.

WARNING

To reduce risk of injury in event of accident, **DO NOT** mount in area around head, torso, or in manner which compromises airbags or interior padding.

NOTICE

Install Base Mount so latch is at top (For vertical or inclined mount).





OMIX-ADA, Inc.

460 HORIZON DR. SUITE 400 | SUWANEE, GA 30024 | PHONE: 770-614-6101 | FAX: 770-614-6069 | info@omix-ada.com

Elite Fire Extinguisher Holder

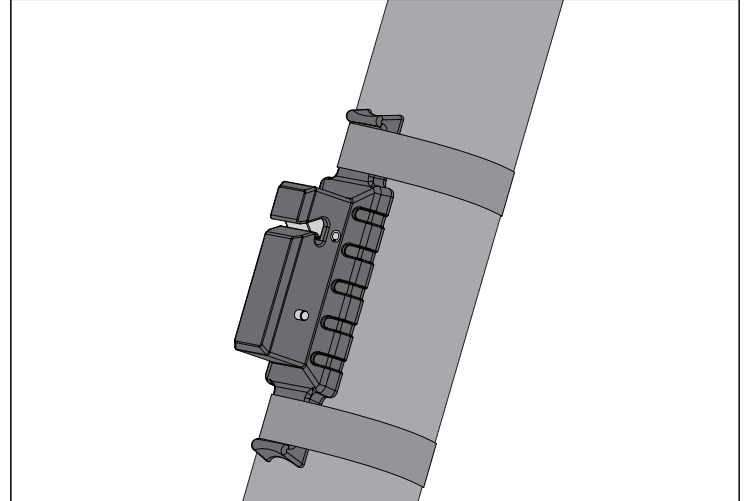
4. **SPORT BAR MOUNT INSTALL:** Place Base Mount on sport bar, wrap Velcro Straps around Base Mount, and securely fasten.

WARNING

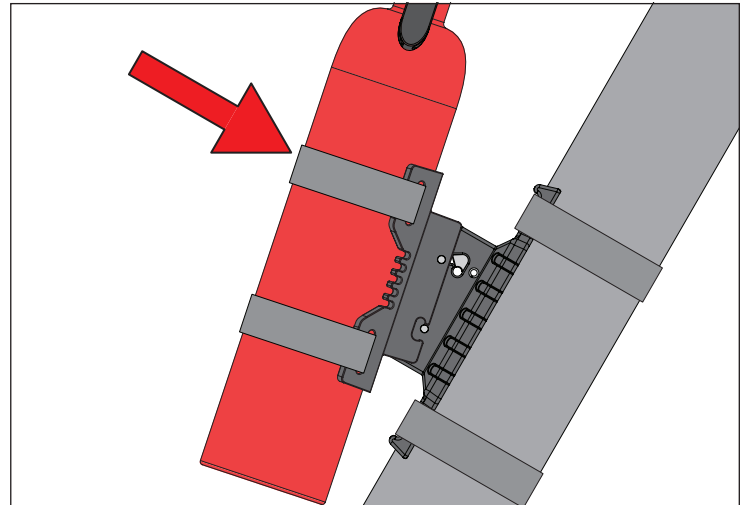
To reduce risk of injury in event of accident, **DO NOT** mount in area around head, torso, or in manner which compromises airbags or interior padding.

NOTICE

Install Base Mount so latch is at top (For vertical or inclined mount).



5. To attach Fire Extinguisher Holder to Base Mount, place guide pin (Holder) in groove (Mount) and press in until locked in place.



6. To remove Fire Extinguisher Holder from Base Mount, push Holder up from bottom and rotate bottom of fire extinguisher away from Mount.

NOTICE

If Holder is difficult to remove, lubricate groove area and guide pin.

