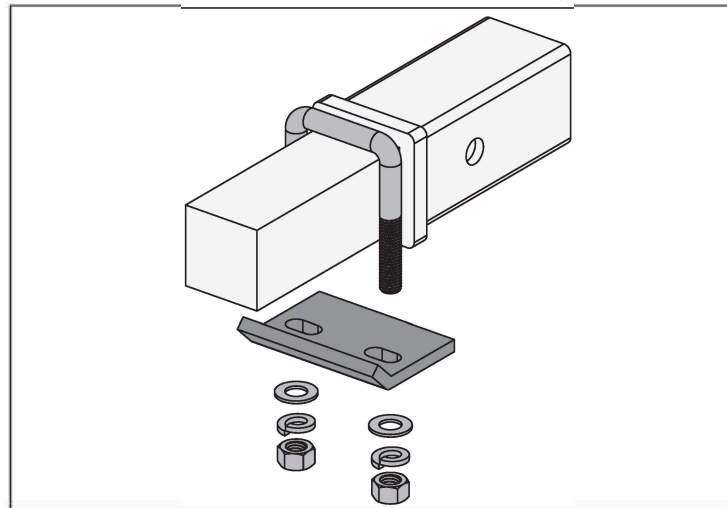




IS-11237.15

## *Hitch Tightener*

### Installation Instructions



1. Place U-Bolt over stinger as shown and loosely attach Hitch Tightener using supplied hardware.
2. Ensure angled end of Hitch Tightener is facing away from hitch and U-Bolt is up against hitch flange.
3. Tighten nuts evenly. Check nuts periodically and tighten if loose.