

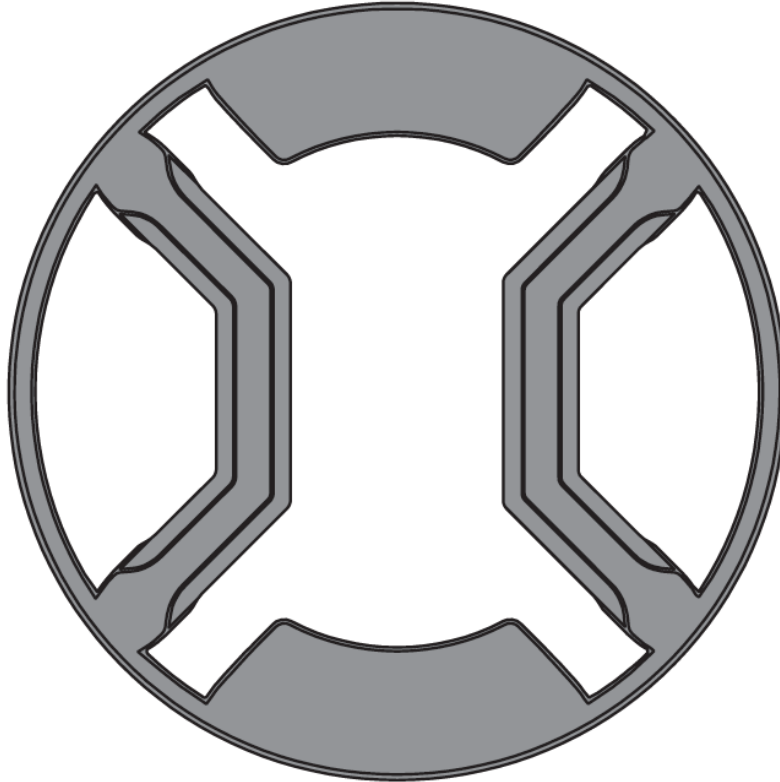


OMIX-ADA, Inc.

Part # 11231.28

460 HORIZON DR. SUITE 100 | SUWANEE, GA 30024 | PHONE: 770-614-6101 | FAX: 770-614-6069 | info@omix-ada.com

# Elite Fog Light Guard



(2)

**OMIX-ADA® TECHNICAL SUPPORT**

**PHONE:** M-F 8am - 5pm EST 1-800-449-6649 | **EMAIL:** techsupport@omix-ada.com

**FOR WARRANTY INFORMATION VISIT:** [www.Omix-Ada.com](http://www.Omix-Ada.com)



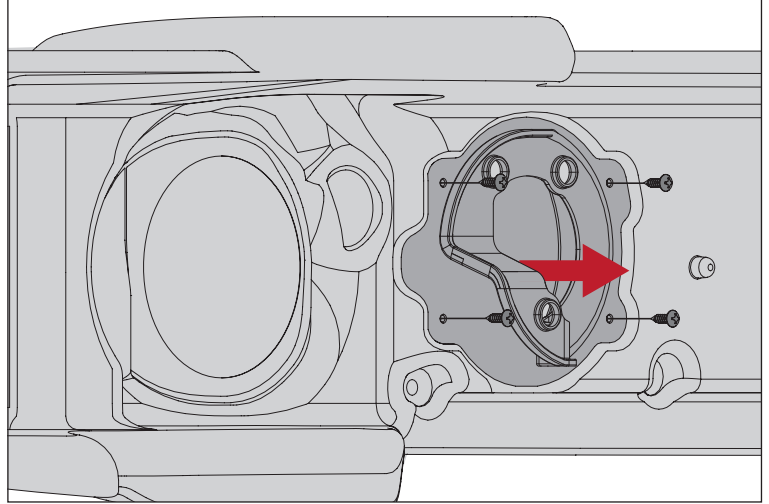
OMIX-ADA, Inc.

460 HORIZON DR. SUITE 100 | SUWANEE, GA 30024 | PHONE: 770-614-6101 | FAX: 770-614-6069 | info@omix-ada.com

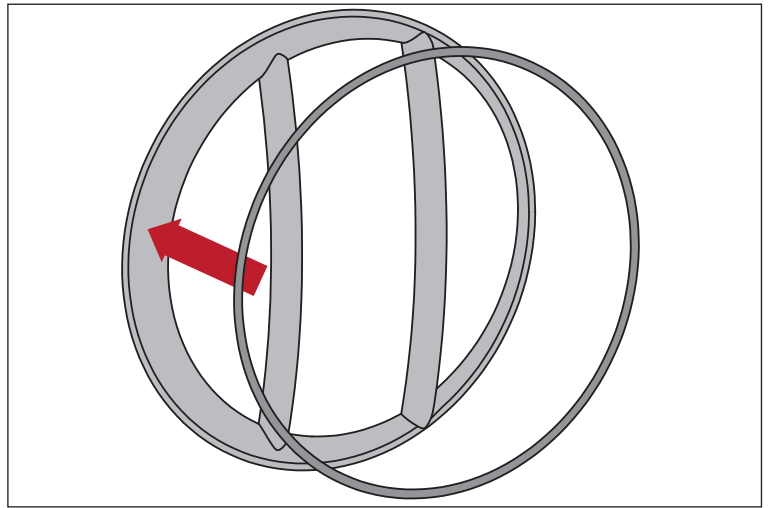
# Elite Fog Light Guard

1. From underneath vehicle, locate 4 Phillips Head Screws connecting fog lights to bumper. Remove screws and lights and set aside for later use.

**NOTICE** Removing plastic air dam may provide easier access.



2. If using O-Ring, place around outside of Guard.



3. Insert Fog Light Guard into fog light opening. If applicable, O-Rings should contact bumper.

4. Reinstall fog light guards and tighten screws.

