

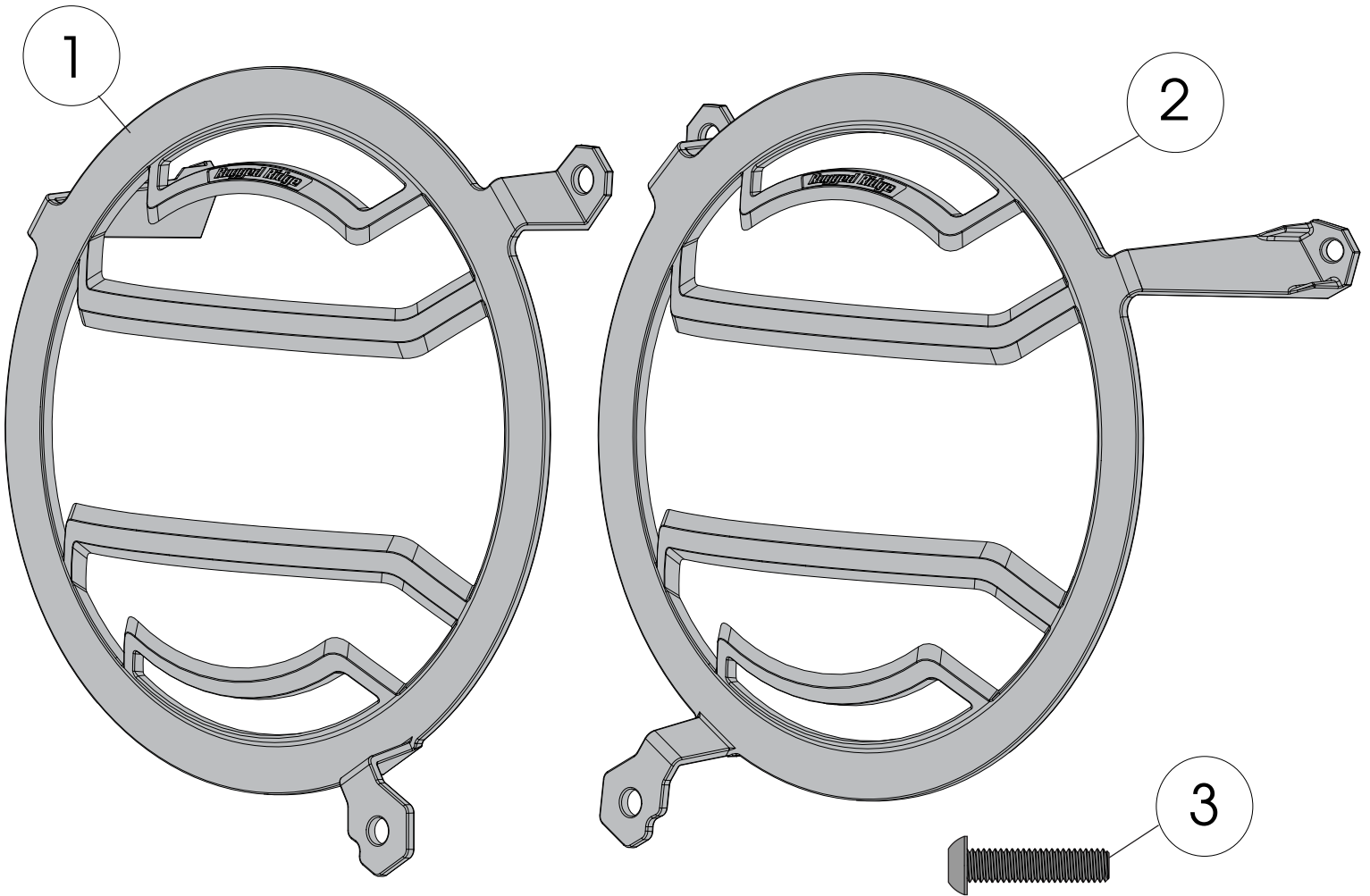


OMIX-ADA, Inc.

Part #11230.21

460 HORIZON DR. | SUWANEE, GA 30024 | PHONE: 770-614-6101 | FAX: 770-614-6069 | www.omix-ada.com

# Elite Headlight Guard Kit



## Components

- 1. Left Elite Headlight Guard
- 2. Right Elite Headlight Guard

- (1) 3. M6 Button Head Bolt
- (1) (6)

### OMIX-ADA® TECHNICAL SUPPORT

PHONE: M-F 8am - 5pm EST 1-800-449-6649 | TICKET: [www.omixsupport.com](http://www.omixsupport.com)

FOR WARRANTY INFORMATION VISIT: [www.Omix-Ada.com](http://www.Omix-Ada.com)

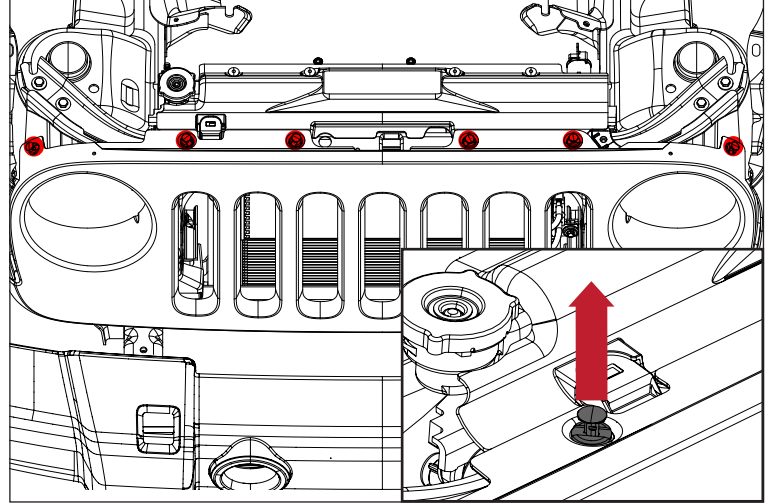


OMIX-ADA, Inc.

460 HORIZON DR. | SUWANEE, GA 30024 | PHONE: 770-614-6101 | FAX: 770-614-6069 | www.omix-ada.com

## Elite Headlight Guard Kit

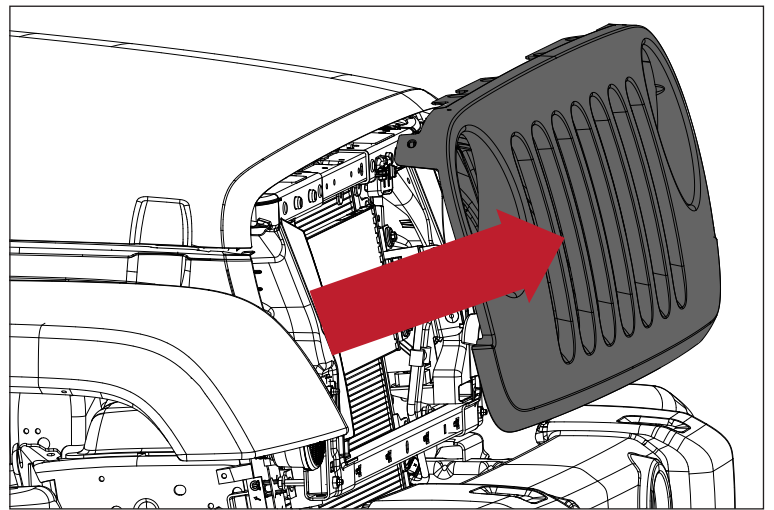
1. Raise hood and remove (6) plastic fasteners on top of grille. First pull up on center pin, then pull up on entire plastic retainer assembly.



2. Pull bottom of grille away from vehicle to disengage metal clips on bottom rear of grille. Remove factory grille from vehicle.

### NOTICE

It may be necessary to remove winch or other bumper mounted accessories prior to removing factory grille.



3. Remove factory headlight bolts. Then use supplied M6 Button Head Bolts to attach Elite Headlight Guard. Next, reinstall grille, see steps 1 and 2.

