

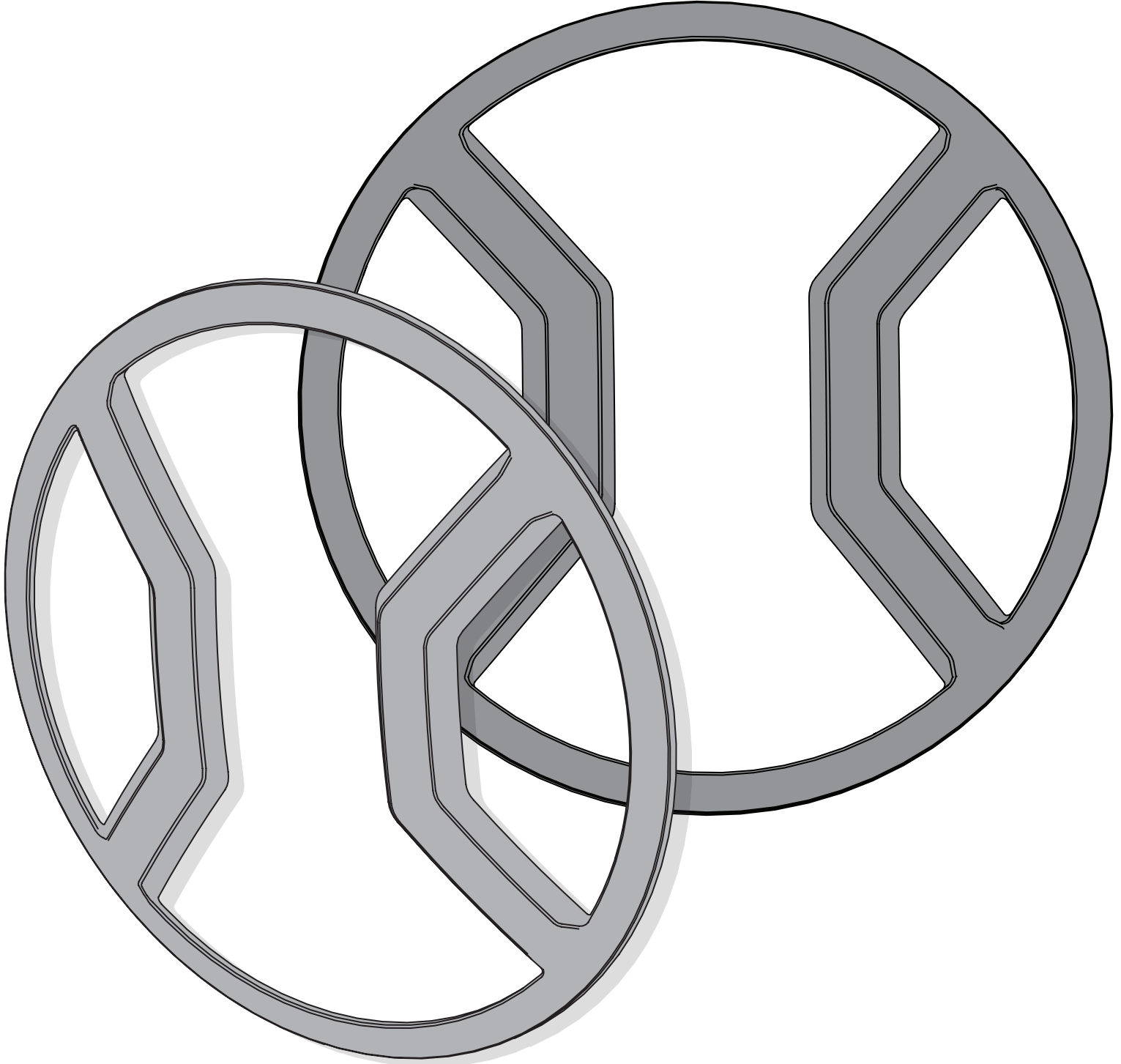


OMIX-ADA, Inc.

Part #11230.20

460 HORIZON DR. SUITE 100 | SUWANEE, GA 30024 | PHONE: 770-614-6101 | FAX: 770-614-6069 | info@omix-ada.com

# Euro Headlight Guard Kit



**OMIX-ADA® TECHNICAL SUPPORT**

**PHONE:** M-F 8am - 5pm EST 1-800-449-6649 | **EMAIL:** techsupport@omix-ada.com

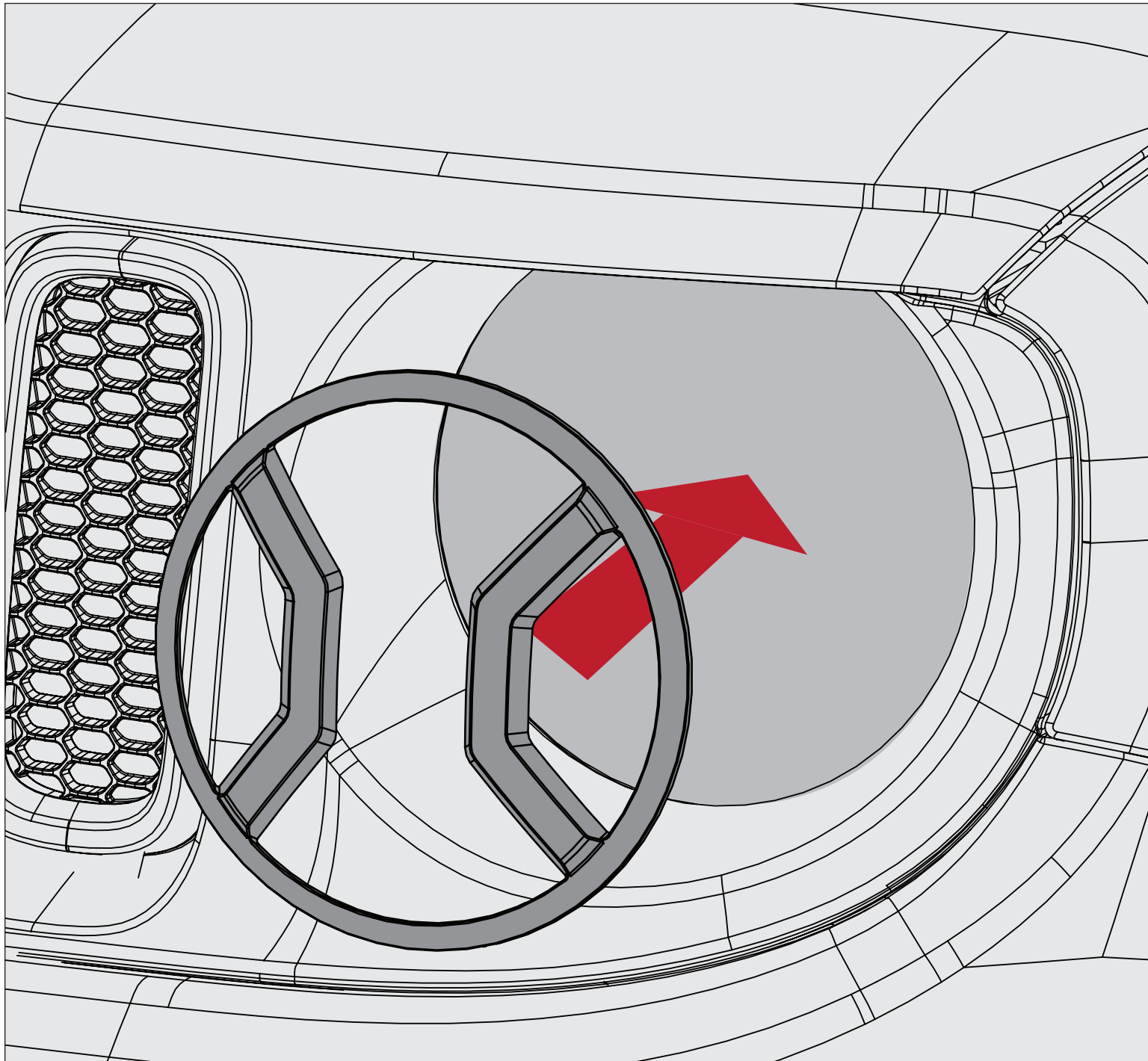
**FOR WARRANTY INFORMATION VISIT:** [www.Omix-Ada.com](http://www.Omix-Ada.com)



OMIX-ADA, Inc.

460 HORIZON DR. SUITE 100 | SUWANEE, GA 30024 | PHONE: 770-614-6101 | FAX: 770-614-6069 | info@omix-ada.com

# Euro Headlight Guard Kit



1. Clean headlight lens. Allow to dry completely.
2. Apply promoter to outer edge of lens.
3. Peel off tape backing and attach Headlight Guard to lens. Repeat on second side.